

glassPIVOT > Framed Single



CARVART's glassDOOR offering includes a broad range of design options to choose from. By combining glass (colors and finishes), function (swing) and aesthetic (from minimalist and exposed to more concealed and private), customers can design and create truly unique spaces.

Dimensioned to custom-fit each project, CARVART's glassDOOR is also engineered to install efficiently. The solutions have versatile designs as well as application, catering to both architect and client specifications. With high-quality performance and durability, CARVART's glassDOOR is perfect for any space.

Specifications

glassPIVOT > FRAMED SINGLE (PIVDR-1FD)

Offset pivot-mounted single glass panel.
Fully framed by minimal aluminum profiles.
Hydraulic mechanism allows for controlled self-closing movement.

VALUE-ADDED BENEFITS

- Easy installation: pre-assembled door panel
- Efficient operation: simple hardware design
- Minimal aluminum frame
- System durability and long-term integrity
- Turnkey integrated project services

FACILITY DESIGN APPLICATIONS

Space division between offices,
conference rooms or flex-space, bathrooms.

CONFIGURATIONS

Single and double leaf.

FUNCTION

Swinging pivot door.

GLASS TYPES

Tempered monolithic.
Tempered laminated.

GLASS FINISHES — Refer to Finish Chart
CARVART laminated transparent glass design options available: 01 Core, 02 Color, 03 Pattern, 04 Metallic, 05 Textile, 08 Gradient and 10 Covert.

SURFACES

Smooth glass.
Etched glass.

GLASS THICKNESS —

Refer to local code and structural requirements
Accommodates 5/16" nominal.

HARDWARE DIMENSIONS

Aluminum top track:
2-3/4" wide x 3" high nominal.
Top/Bottom finish rails: 1-3/4" deep x 4-7/16" wide.
Vertical side rails: 5/8" individually or
double 1-11/16" deep x 1-5/8" wide.

HARDWARE MATERIALS/FINISHES —

Refer to Finish Chart
Satin anodized aluminum, polished aluminum,
blackened aluminum. black, white, grey,
midnight, charcoal, light grey, warm grey,
champagne, terra cotta.

WIDTHS — OVERALL MINIMUM/ MAXIMUM RANGE (inches):

Glass panels: Minimum 29". Maximum 48".

HEIGHTS — OVERALL MINIMUM/ MAXIMUM RANGE (inches):

Glass panels: Minimum 30" height.
Maximum 108" height above finished floors.

MOUNTING FASTENERS

Final anchoring decision is client-directed or
based on client structural consultant.
Mounting fasteners and anchors to be supplied
by others.
CARVART advisory and coordination available.

WEIGHT & STRUCTURAL LOADS —

Consult local engineer for structural codes
and requirements
Pivots for individual panels rated up to 220 lbs.
Linear per foot weights based on final glass type.
Overall weights available upon request for
client structural calculations.
Refer to CARVART for technical consultation.

ADD-ON DESIGN OPTIONS —

Per specification and upcharges apply
Various pull options.
Various plastic/brush connection details
for increased privacy.
Top-structure available on request and
for additional cost.
Lockable/Non-locking floor latch bolts available.

CUSTOMIZATION

Custom dimensions per opening.

INSTALLATION

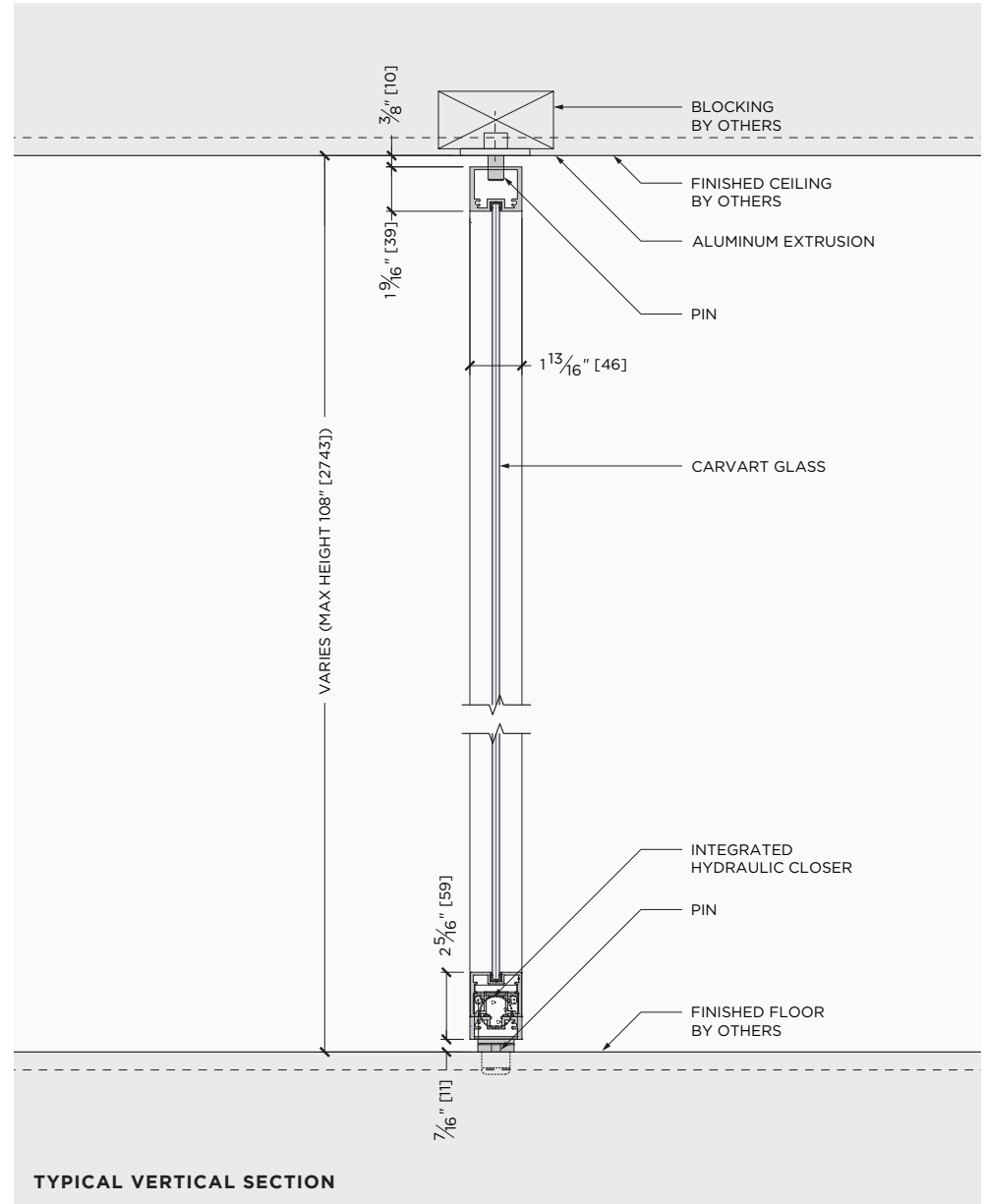
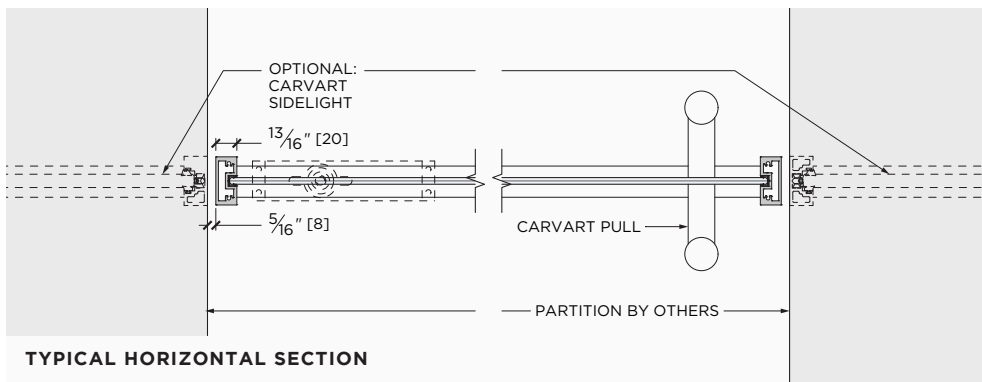
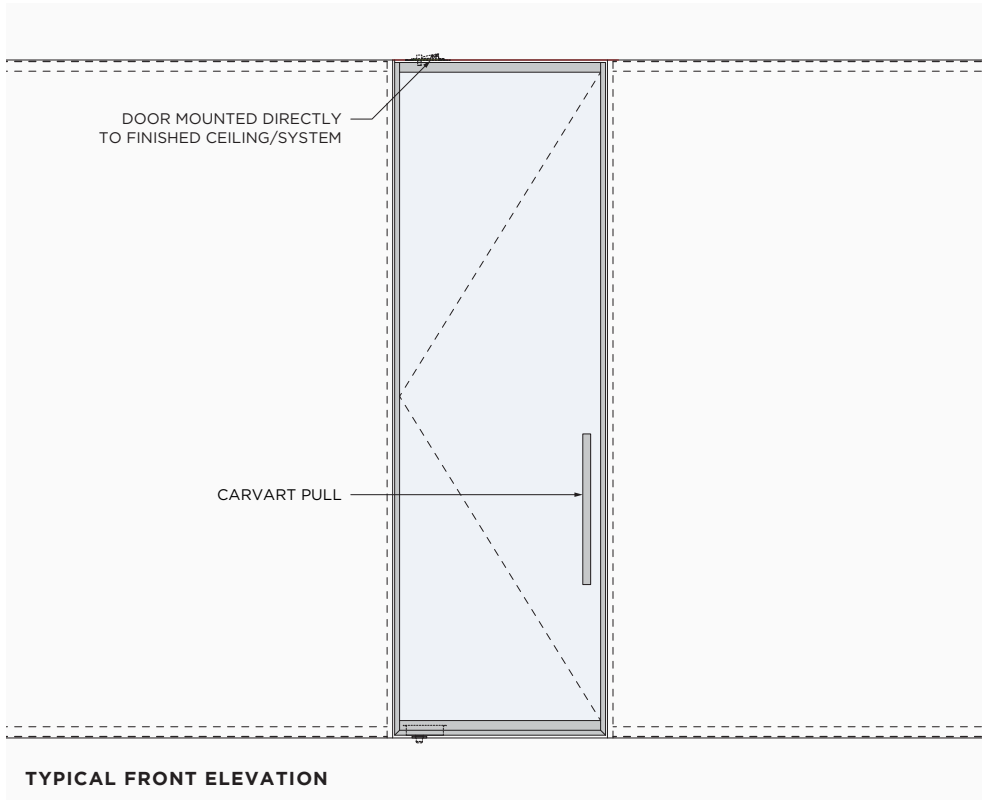
Top-track includes seam connectors for
improved alignment.
Requires trained and competent glazing or
carpenter industry professionals.
Installation instructions, assistance and training
available at time of order.
All hardware components, including doors, will be
delivered knocked down and require assembly by
a glazing industry professional. Certain glass and
hardware finishes are available as pre-assembled
products as called out in the glass and hardware
finishes pages. Consult a CARVART agent for
information on available pre-assembled compo-
nents.

HARDWARE WARRANTY —

5-year limited warranty.

For more info, contact CARVART
Sales Advisory Team at quotes@carvart.com
or call us at 212 675 0030.

Details

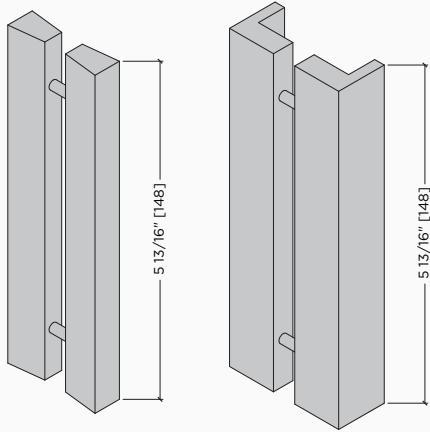


Options: Pulls and Closers

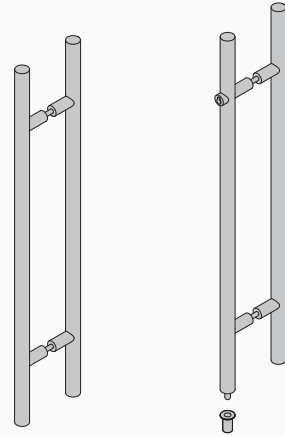
Ladder pulls available in:

- Multiple finishes (see chart)
- ADA configurations
- Locking/non-locking

BAR PULLS



LADDER PULLS



BACK-TO-BACK
NON-LOCKING

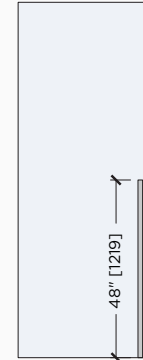
BACK-TO-BACK
LOCKING



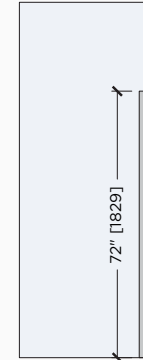
24"
NON-LOCKING



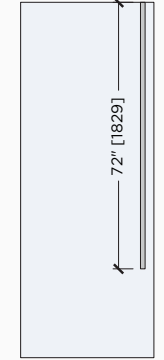
36"
NON-LOCKING



48"
LOCKING OR
NON-LOCKING

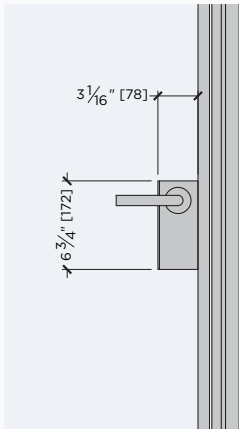


72"
LOCKING OR
NON-LOCKING

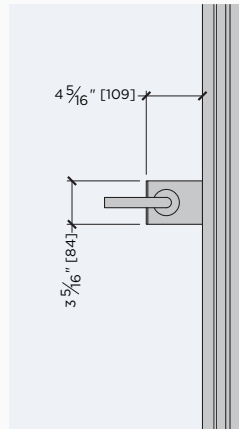


72"
CEILING
CONFIGURATION

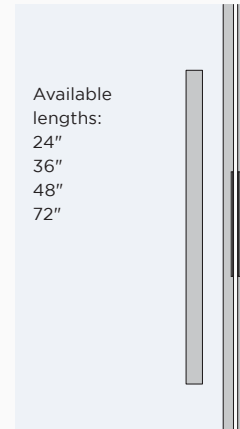
CLOSERS



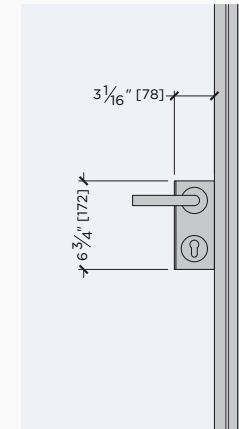
NON-LOCKING/
FIXED LEVER



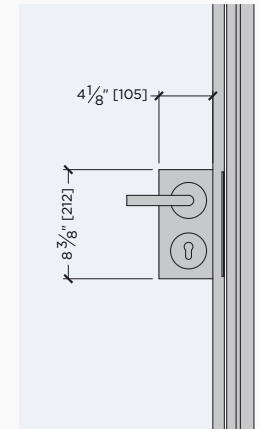
FIXED/DUMMY LEVER



LATCH W/ LADDER PULL



EURO LOCK
• Key/Thumb • Indicator/Thumb
• Key/Key • No Lock



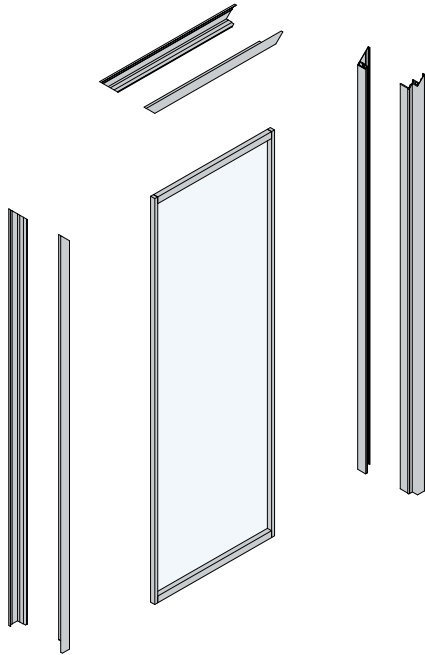
US LOCK/INTERCHANGEABLE
• Key/Thumb • Indicator/Thumb
• Key/Key • No Lock

Design appeal and detailing

- All profiles and hardware are specifically engineered to keep sight lines and design aesthetic minimal
- Aluminum fascias conceal all clamping and hardware, available in various finishes
- Lightweight and optimized hardware solutions keep system efficient and easy to operate
- Create unique appearance with CARVART glass options

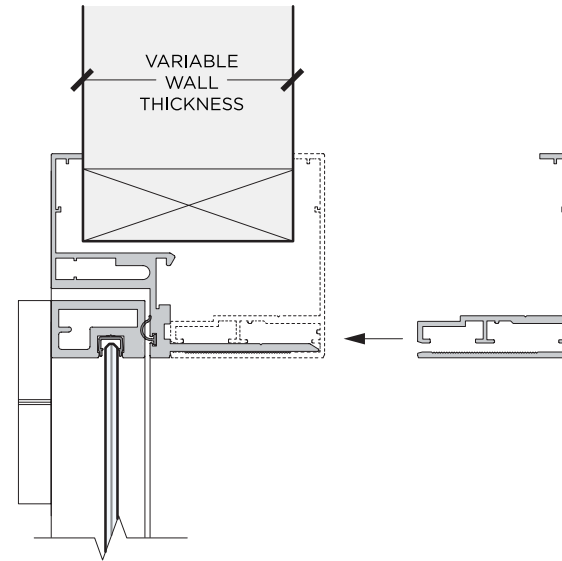


Ease of installation



SIMPLE PANEL ASSEMBLY

All door panels come with installation instructions labeled to match shop drawings for easy set-up and assembly.



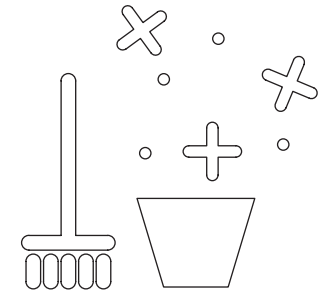
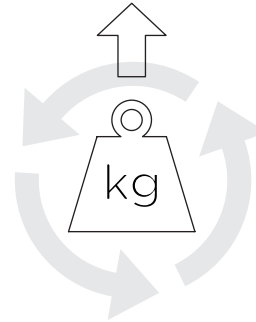
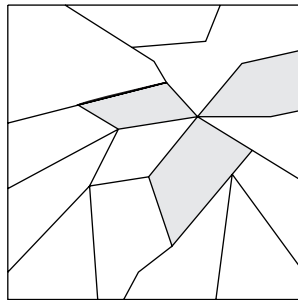
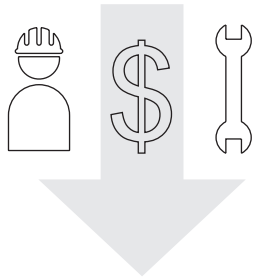
PRE-ASSEMBLED COMPONENTS

Door panels come pre-assembled and glazed, with frames pre-mitered, allowing an efficient installation process.

Life cycle maintenance

CARVART products are fully dry-glazed, eliminating the unnecessary labor and maintenance costs associated with standard sliding door systems. This, in conjunction with CARVART's reliable archive of shop drawings allows for efficient replacement.

The hardware is cycle-tested at high frequencies to ensure durability, over-engineered strength and quality. Finally, products are easy to clean due to minimal profiles and overall limited hardware.



EASE OF INSTALLATION

CARVART's products are engineered to be light-weight and ergonomic, facilitating installation and eliminating unnecessary labor costs due to complex assembly methods.

EASY TO REPLACE

Minimal hardware with easy access to hinges, tracks and trolleys making replacement efficient and hassle-free.

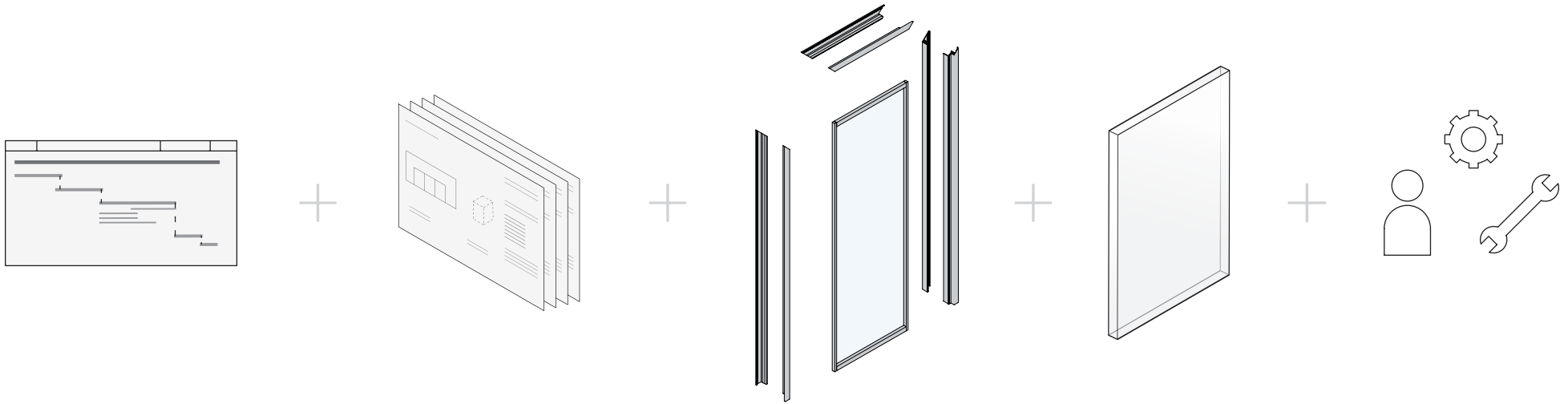
HIGH-CYCLE TESTED DURABILITY

All CARVART glassDOORS are cycle-tested to hundreds of thousands of cycles, and rated for weights that exceed beyond maximum panel size.

CLEANING AND MAINTENANCE

Once system is properly installed, virtually no maintenance is needed. Additionally, profiles have minimum reveals and crevices, significantly reducing dust collection.

Project management coordination



COORDINATION AND SHOP DRAWINGS

- CARVART offers full scheduling coordination and phasing for custom project delivery
- Full range of coordination and shop drawing/engineering services
- Dedicated project managers are assigned to each project for maximum success

HARDWARE OPTIONS

- Provide full range of hardware options for infinite design and site conditions
- Multiple design options

GLASS DESIGN AND DEVELOPMENT

- Glass design and development services integrate standard and custom glass selections with available hardware options

POST-DELIVERY SERVICES

- Installation training specific to project and product
- Project-specific service levels (including phased deliveries and shipping)
- Project logistics can ship by floor or designated area

COREglass



COLORglass

Translucent Whites Laminated

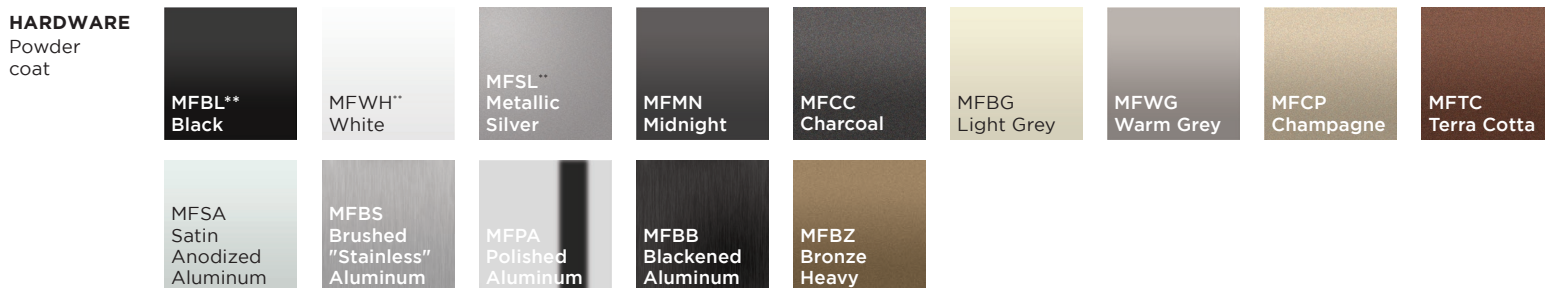
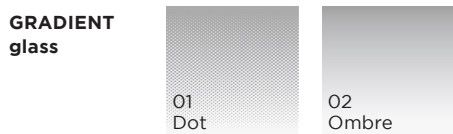


COLORglass

Transparent Laminated



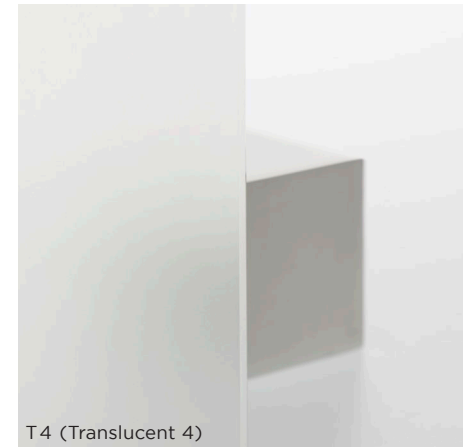
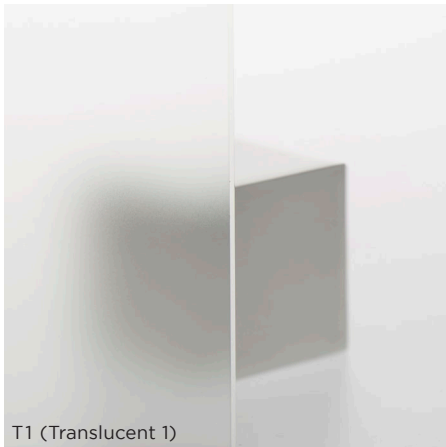
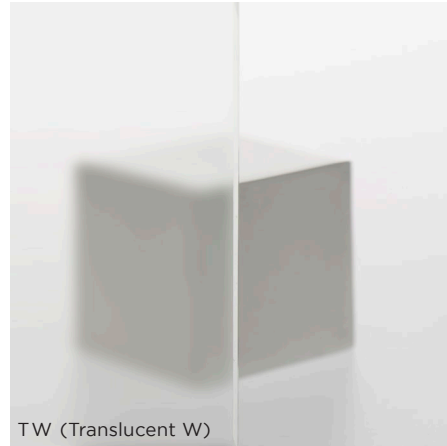
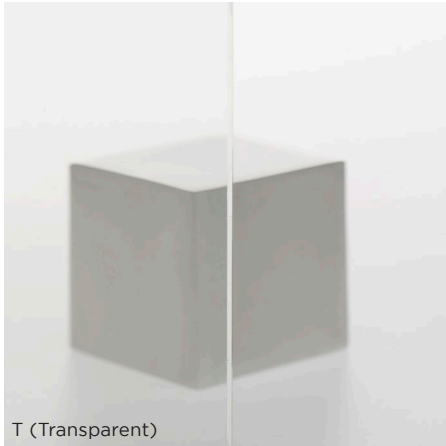
*Available as pre-assembled door products.



** Standard finish

Views

Shown in order
of lowest
to highest
translucency



CARVART®