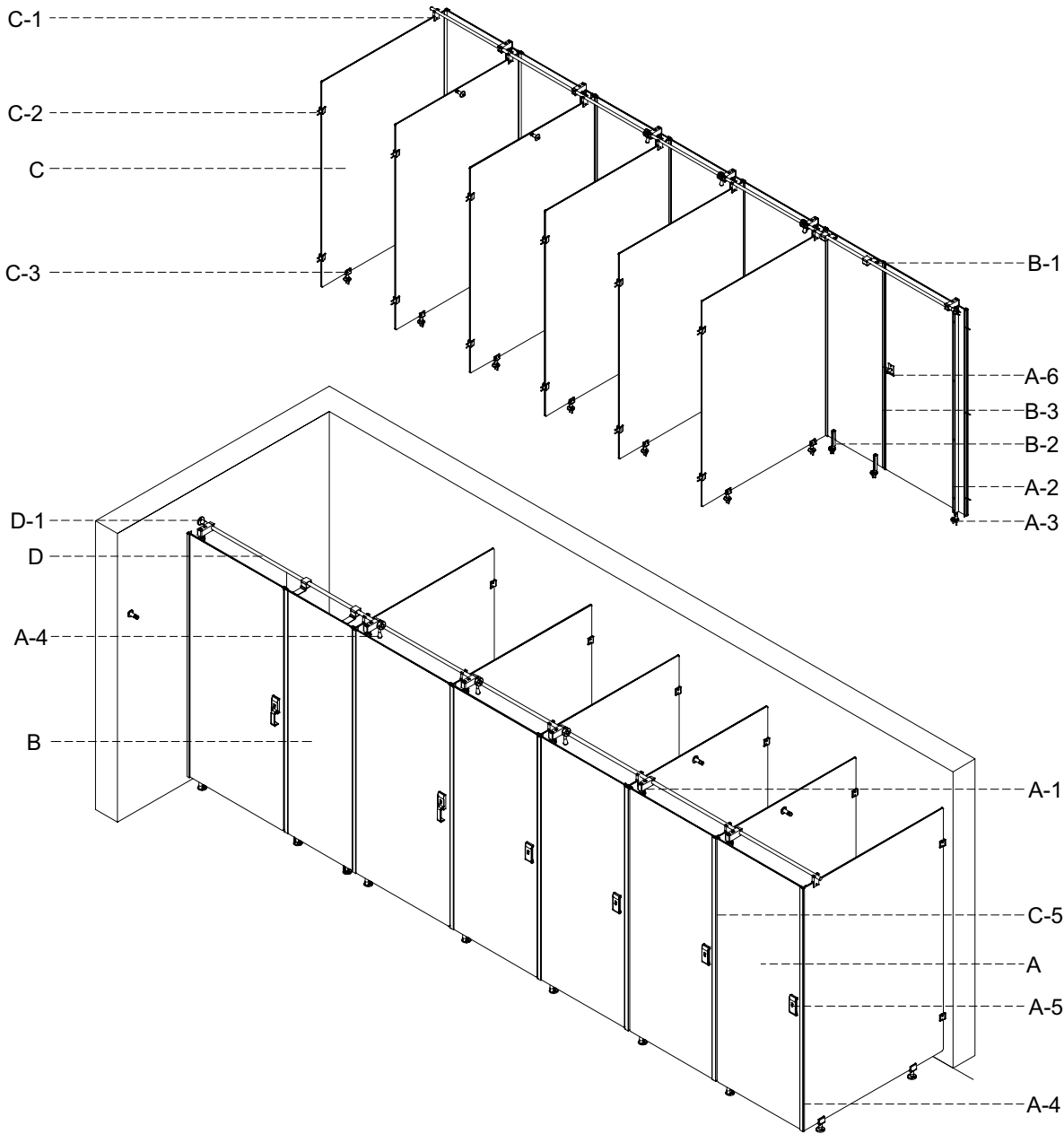


glassBOX

Installation Instructions

- + COMMERCIAL BATHROOM CUBICLE INSTALLER REQUIRED
- + STRUCTURAL CORDINATION AND CALCULATION BY OTHER
- + CARVART ASSIST WITH INSTALL AND CORDINATION



glassBOX

Installation Guide

DOOR

1. ASSEMBLE DOOR COMPONENTS ON GLASS PANEL
2. CONNECT HYDRAULIC CLOSER TO STABILIZING BAR
3. FLOOR MOUNT DOOR PIVOT
4. STANDARD LATCH
5. SELECT PULL TYPE

FIXED PILASTER PANEL

1. BACK FASTEN TOP SUPPORT TO FIXED PILASTER PANEL
2. BACK FASTEN SUPPORT LEGS AND MOUNT TO FLOOR
3. CONNECT TO STABILIZING BAR

DIVIDER

1. MOUNT WALL CLAMPS
2. INSTALL SUPPORT LEGS
3. ATTACH TOP CLAMP AND CONNECT TO STABILIZING BAR
4. INSERT SPECIFIED DOOR JAMBS

STABILIZING BAR

1. BACK FASTEN TOP SUPPORT TO FIXED PILASTER PANEL
2. BACK FASTEN SUPPORT LEGS AND MOUNT TO FLOOR
3. CONNECT TO STABILIZING BAR

WALL DIVIDER

1. FASTEN TO WALL

COMPONENTS

NOTE: Letters correspond to components labeled on the 'TYPICAL COMPONENTS' diagram.

A. Door

Material: Glass

- 9/16" Tempered, Laminated, Back-Painted
- Specify Color & Pattern

A-1 Hydraulic Closer

A-2 Full Height Vertical Mounting Profile

A-3 Floor Mounted Door Pivot

A-4 Swing Limit Stopper

A-5 Pull Options

- Round Pull
- Rectangle Pull
- ADA Rectangle Pull
- Ladder Pull
- Back to Back Ladder Pull

A-6 Lever Latch

B. Fixed Pilaster Panel

Material: Glass

- 9/16" Tempered, Laminated, Back-Painted
- Specify Color & Pattern

B-1 Back Fastened Top Support

B-2 Back Fastened Support Leg - Clearance Options:

- 3" Floor Clearance
- 9" Floor Clearance
- 12" Floor Clearance

B-3 Full Height Vertical Jamb Profiles

C. Divider

Material: Glass

- 9/16" Tempered, Laminated, Back-Painted
- Specify Color & Pattern

C-1 Top Clamp Support

C-2 Wall Clamp Support

C-3 Clamp Support Leg - Clearance Options:

- 3" Floor Clearance
- 9" Floor Clearance
- 12" Floor Clearance

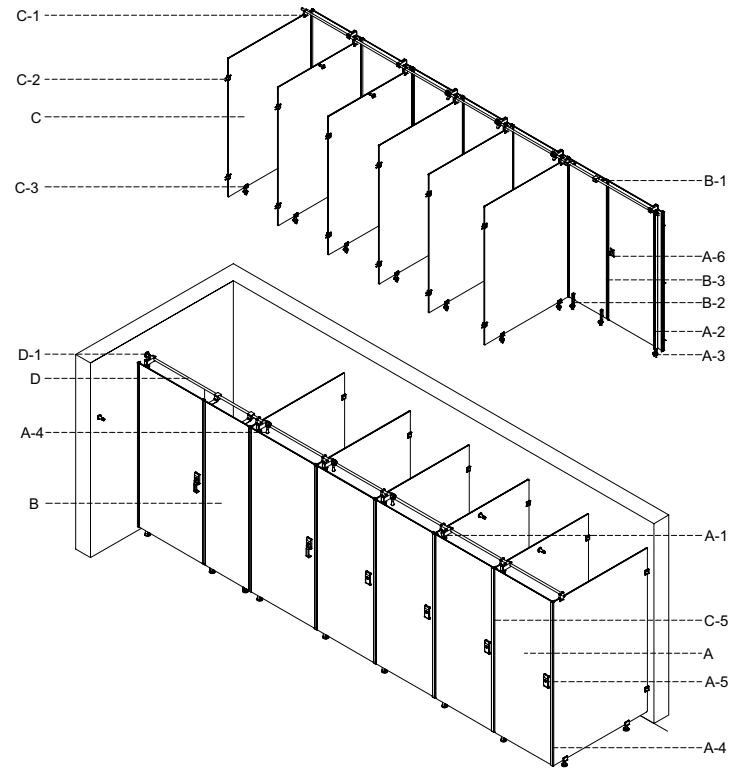
C-4 Seam Profile (Used with Extended Divider)

C-5 Full Height Vertical Jamb Profiles

D. Stabilizing Bar

D-1 Wall Mounted Stabilizing Connection

D-2 T-Connection (If Applicable)



TOOLS NEEDED

Use other standard installation tools

DRILL

Use power tools for drilling into building structure.



SCREW DRIVER

Use hand tools only for all glass attachments



HEX KEY

Required metric tools



TAMPER PROOF UN-LOCK TOOL

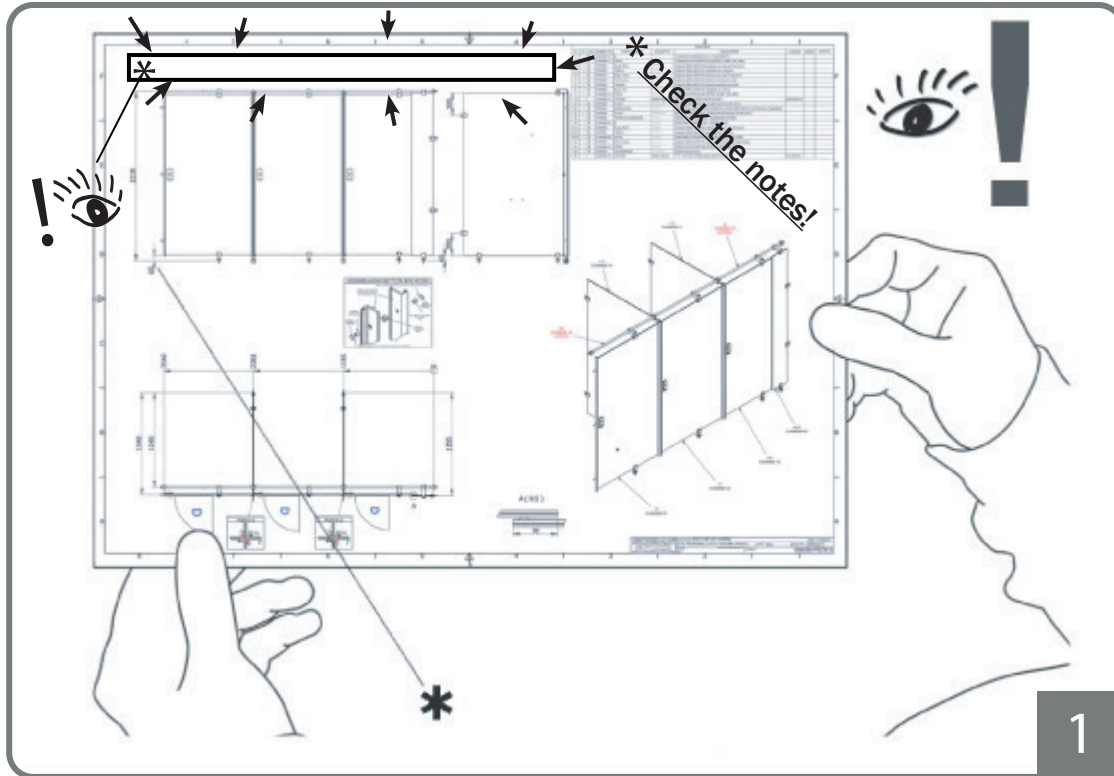
Required metric tool supplied by CARVART.



INSTALLATION INSTRUCTIONS

NOTES

Check all drawings

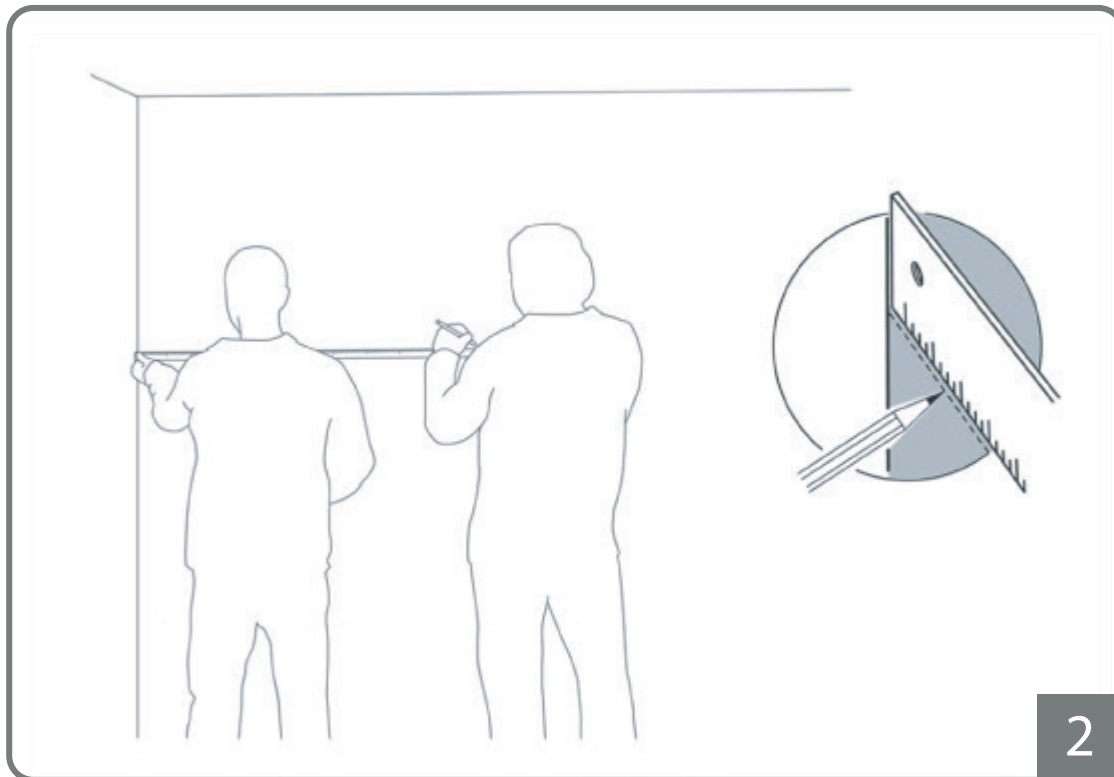


STEP 1

INSPECT CRATE CONTENT FOR ANY DAMAGE FROM SHIPPING.

DO NOT PROCEED WITHOUT THOROUGH INSPECTION OF MATERIAL.

- CHECK SHOP DRAWINGS
- CHECK FIELD DIMENSIONS
- CHECK TOOLS
- CHECK EQUIPMENT



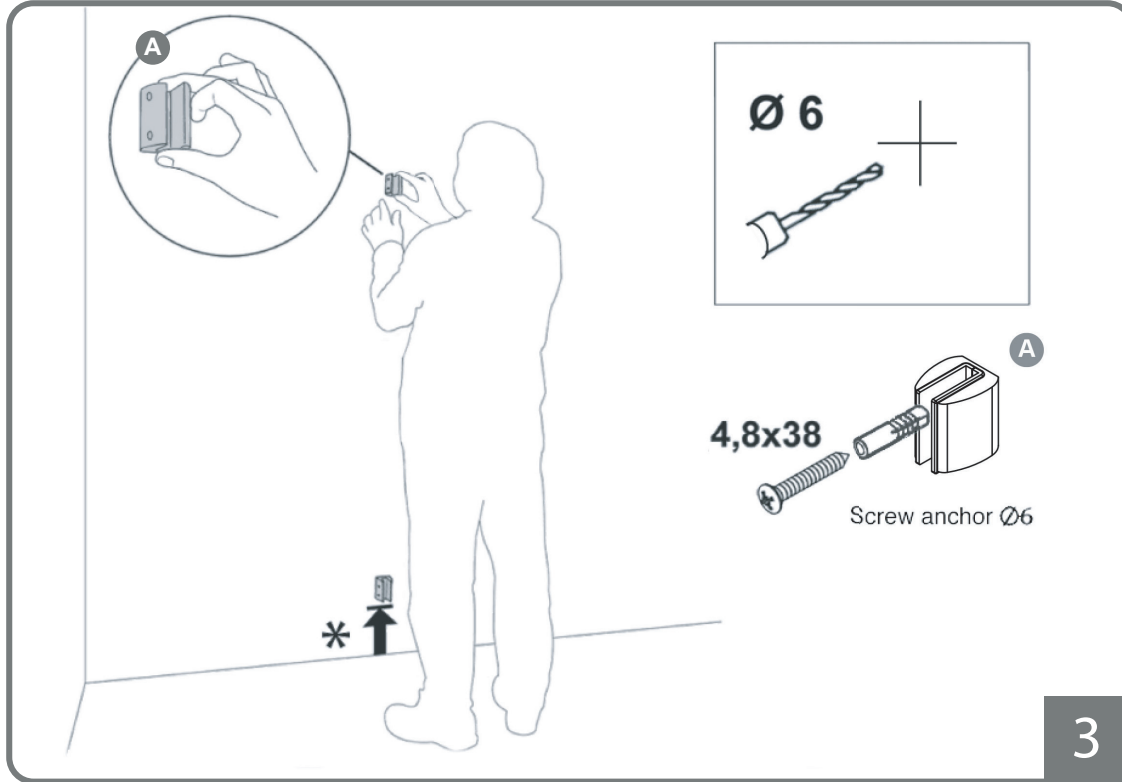
STEP 2

MEASURE AND MARK ANCHORING SPOTS

INSTALLATION INSTRUCTIONS

NOTES

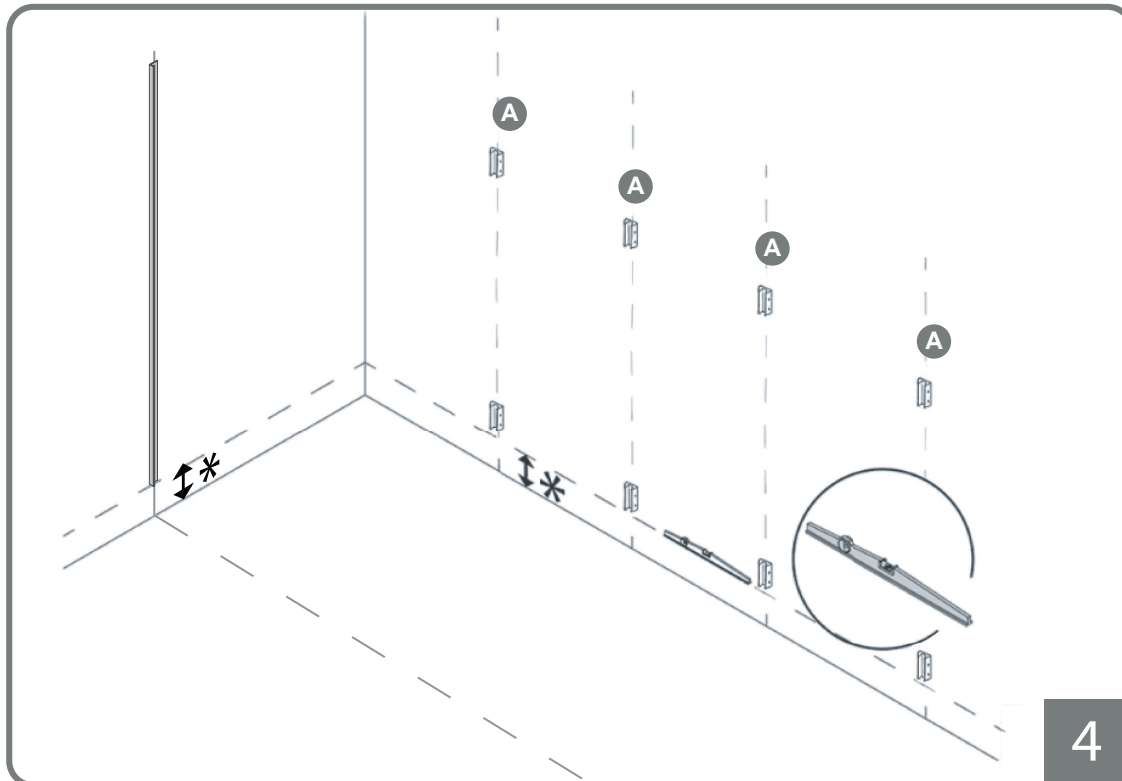
Check all drawings



STEP 3

DRILL HOLE
INSERT ANCHOR
FASTEN CLAMP TO WALL WITH SCREW

ALTERNATE: WOOD SCREWS/
SHEET METAL SCREW CAN
BE USED DEPENDING ON THE
BLOCKING TYPE PROVIDED
BY CONTRACTOR. ALTERNATE
TYPE OF SCREWS ARE NOT
PROVIDED BY CARVART.



STEP 4

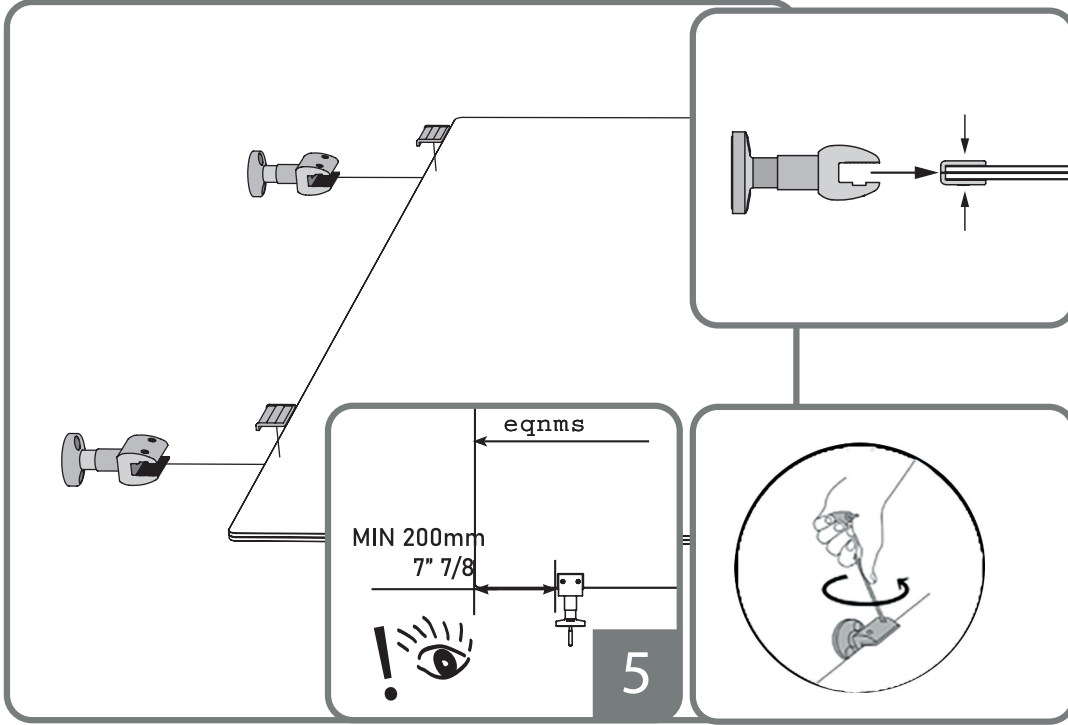
MAKE SURE ALL CLAMPS ARE
LEVEL

REFER TO SHOP
DRAWINGS FOR BLOCKING
REQUIREMENTS. (BLOCKING
BEHIND THE 'A' CENTERLINE.

INSTALLATION INSTRUCTIONS

NOTES

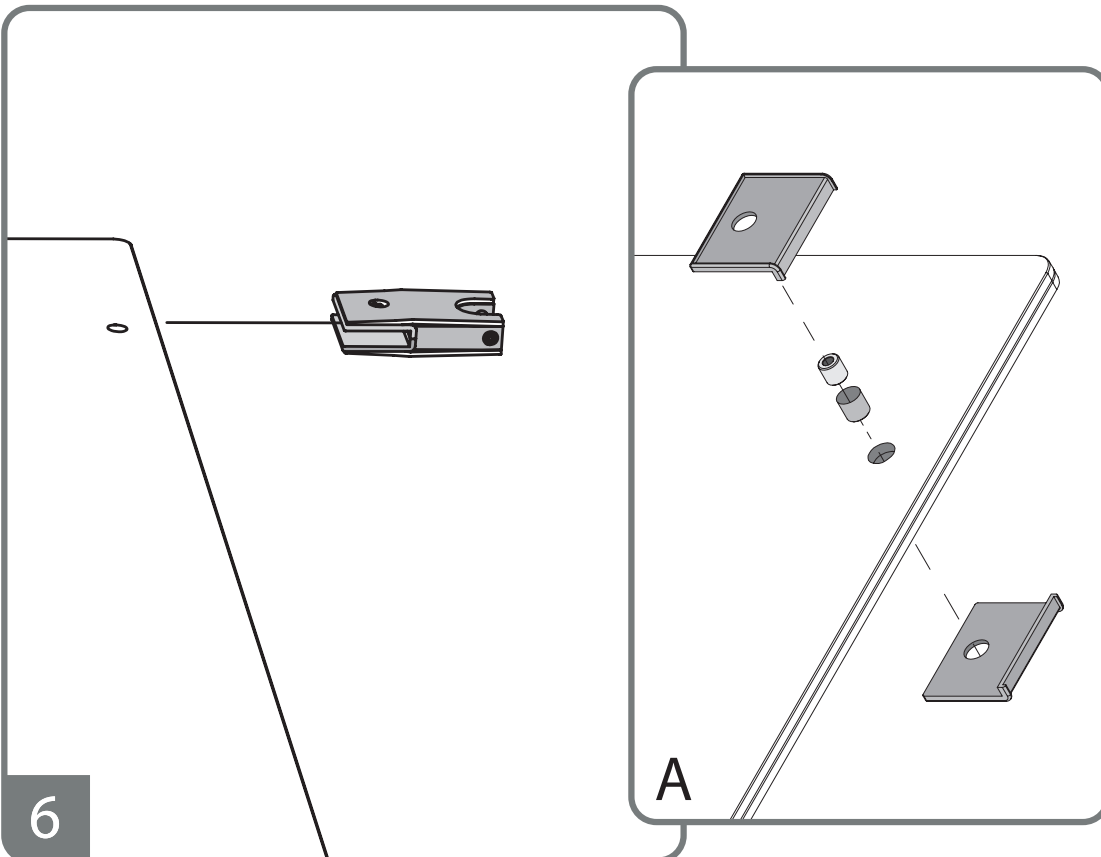
Check all drawings



STEP 5

INSERT DIVIDER INTO FLOOR CLAMP SUPPORT. TIGHTEN AND FASTEN.

DO NOT ANCHOR THE FLOOR SUPPORT LEG INTO THE FLOOR UNTIL THE END.



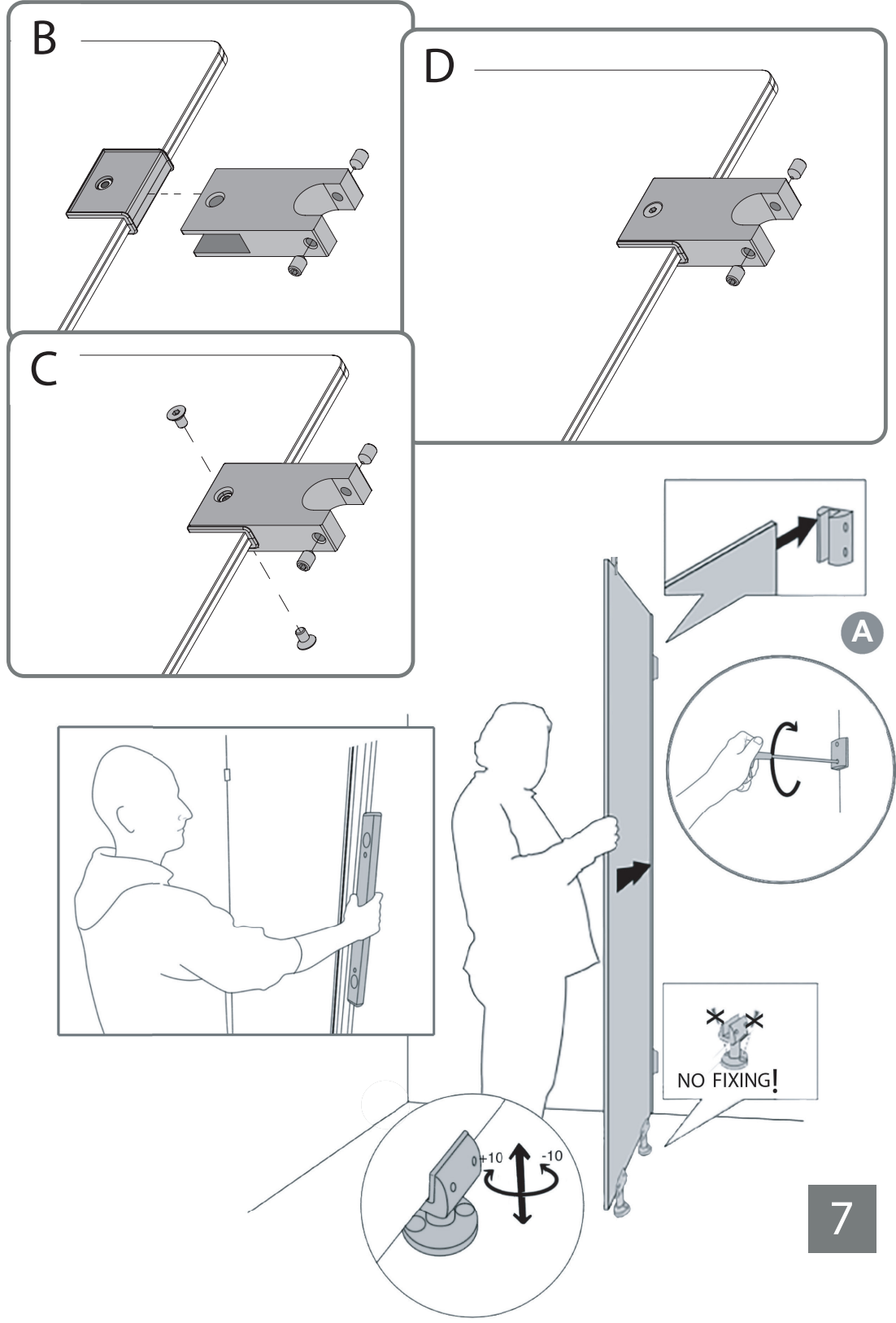
STEP 6

FASTEN TOP SUPPORT CLAMP TO DIVIDER.

INSTALLATION INSTRUCTIONS

NOTES

Check all drawings



STEP 7

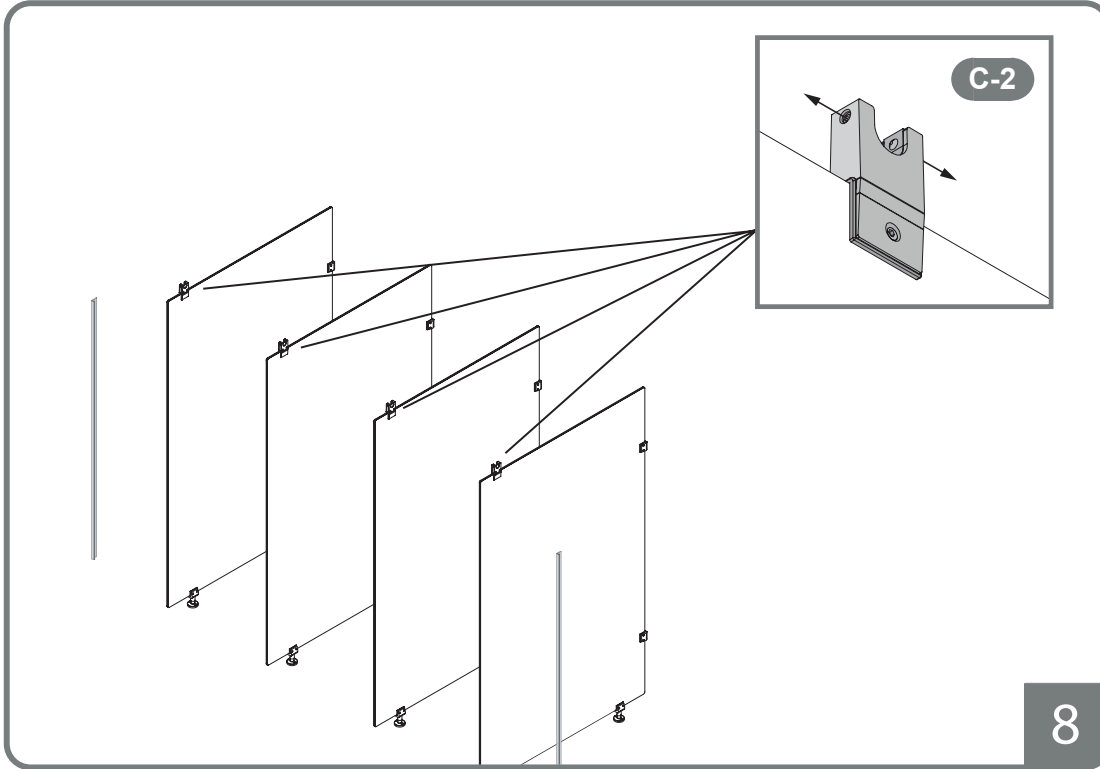
MOVE DIVIDER PANEL INTO ITS LOCATION AND FASTEN IT TO THE WALL CLAMPS.

ROTATE THE LEG TO ADJUST HEIGHT TO ENSURE LEVELING OF THE DIVIDER PANEL.
 +/- 3/8" ADJUSTMENT AVAILABLE IN SUPPORT LEG.

INSTALLATION INSTRUCTIONS

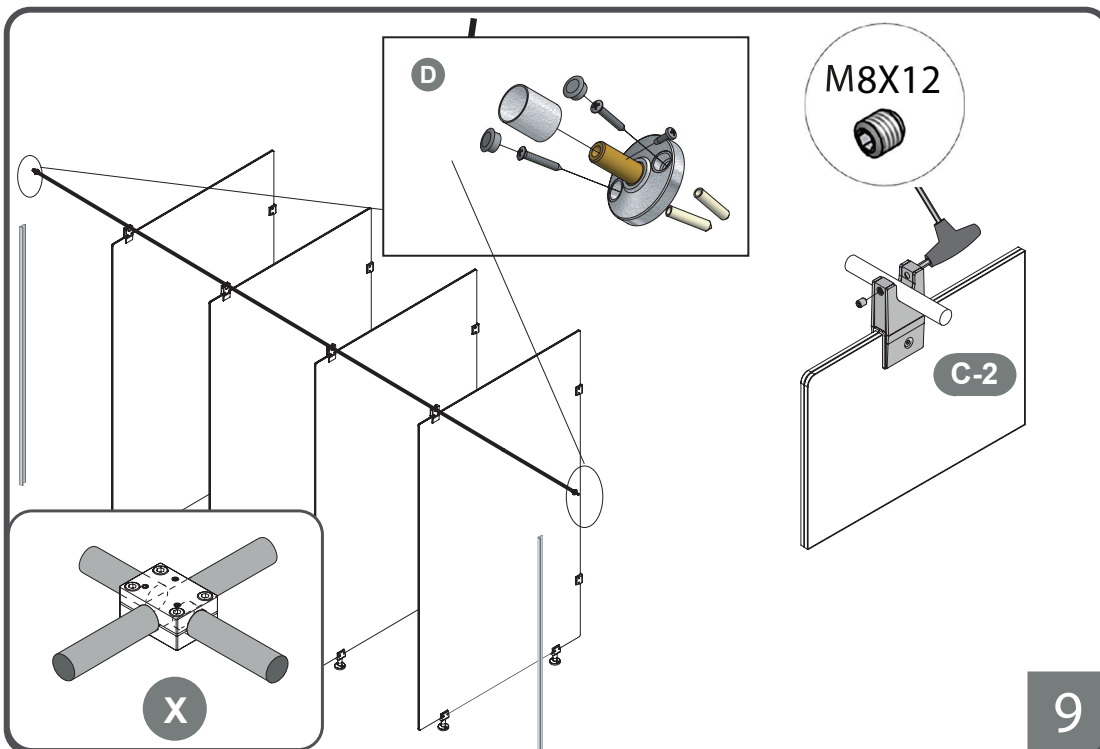
NOTES

Check all drawings



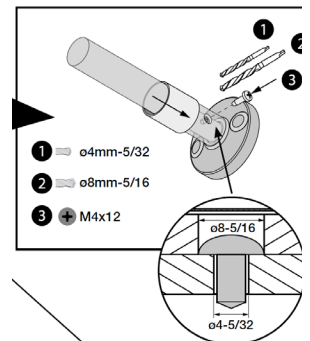
STEP 8

MAKE LATERAL ADJUSTMENTS TO PANEL TO ALIGN WITH STABILIZING BAR.



STEP 9

CONNECT STABILIZING BAR AND FASTEN STABILIZING BAR TO WALL. CONNECT T-CONNECTION IF APPLICABLE.

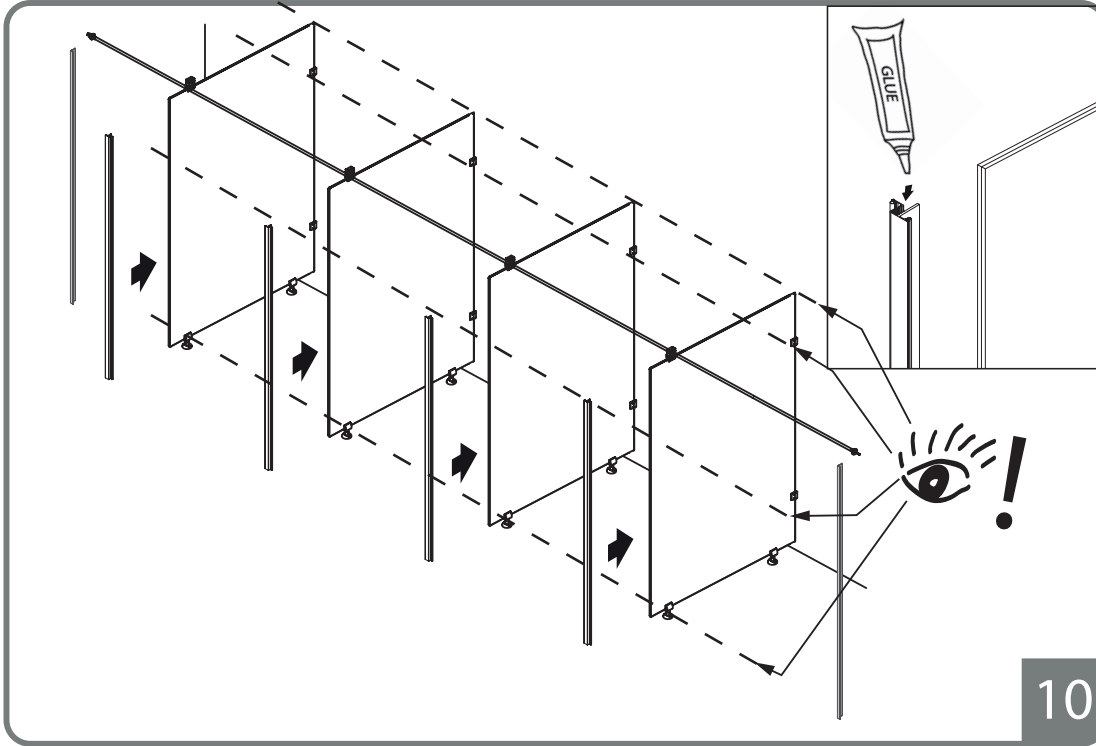


COLOUR GLASS8

INSTALLATION INSTRUCTIONS

NOTES

Check all drawings



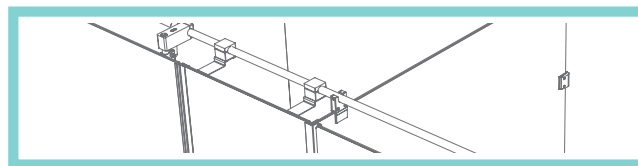
STEP 8

INSERT AND GLUE FULL HEIGHT VERTICAL JAMB PROFILES ONTO DIVIDER ENDS.

MUST USE NEUTRAL CURE SILICONE.

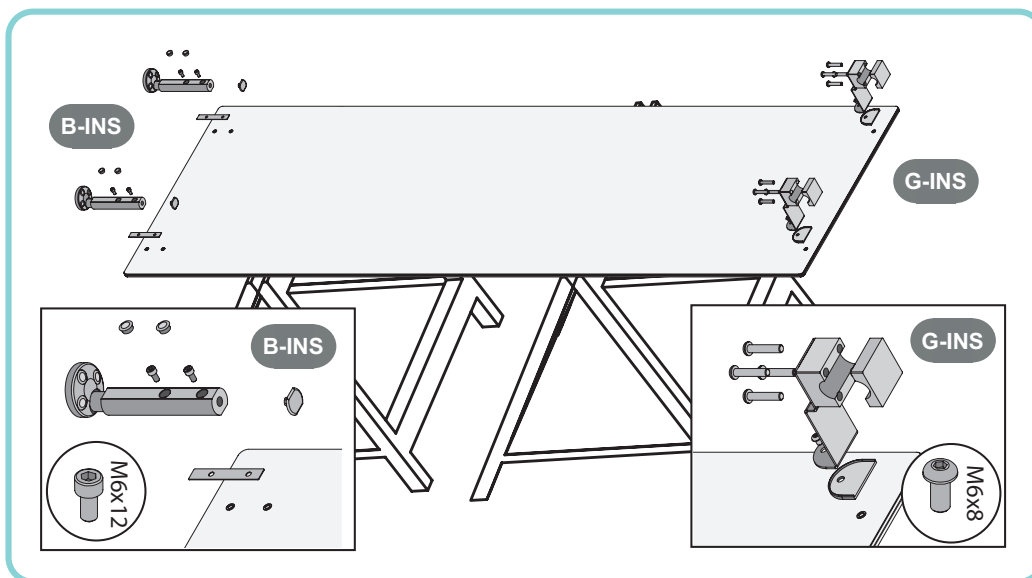
PLEASE REFER TO CARVART RECOMMENDED BRANDS:

- CRL - RTV 408
- DOW CORNING - 795



STEP 10

- + ASSEMBLE FIXED PILASTER PANEL
- + ASSEMBLE AND FASTEN TOP SUPPORT
- + ASSEMBLE AND FASTEN BACK FASTENED LEG SUPPORT



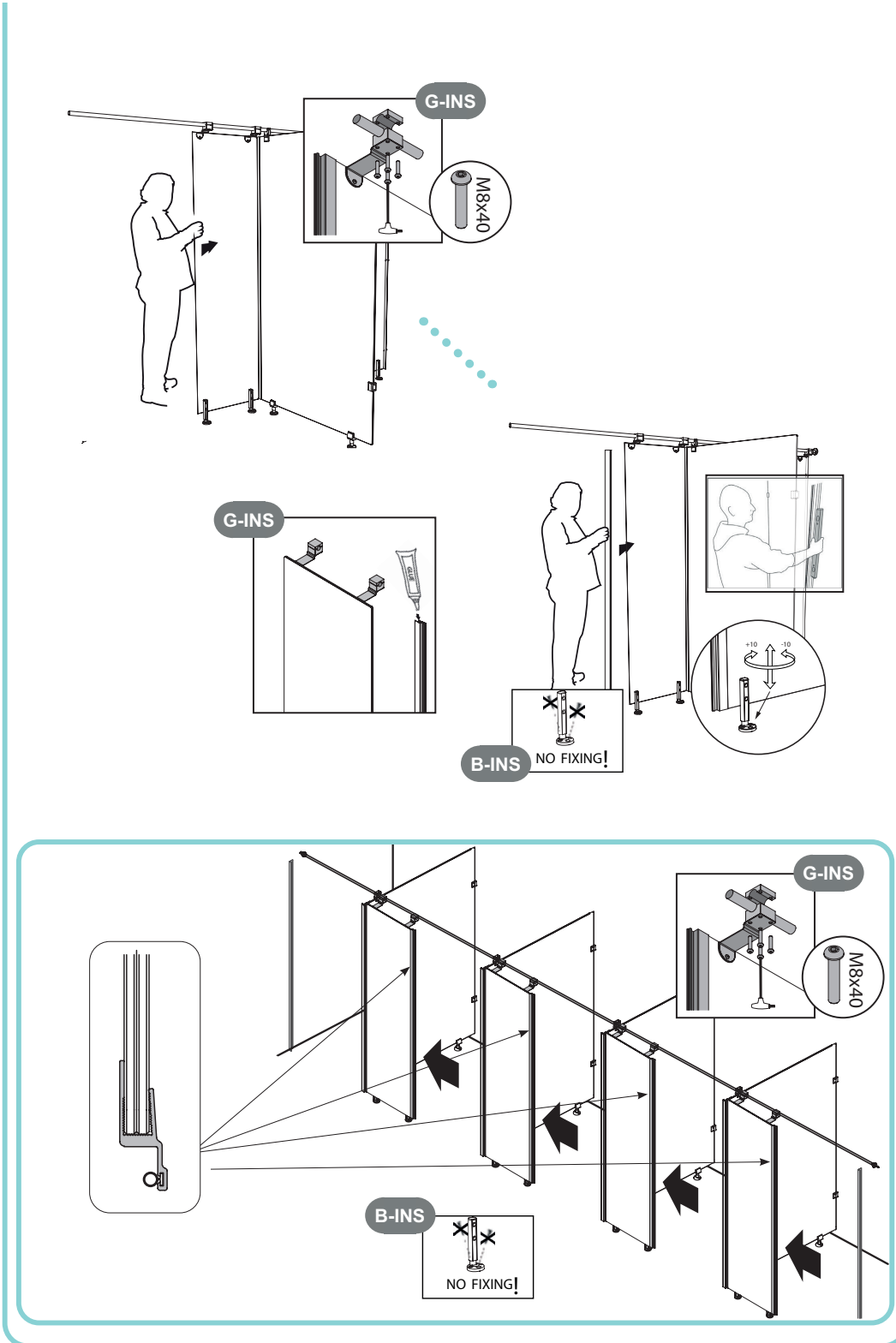
INSTALLATION INSTRUCTIONS

NOTES

Check all drawings

STEP 11

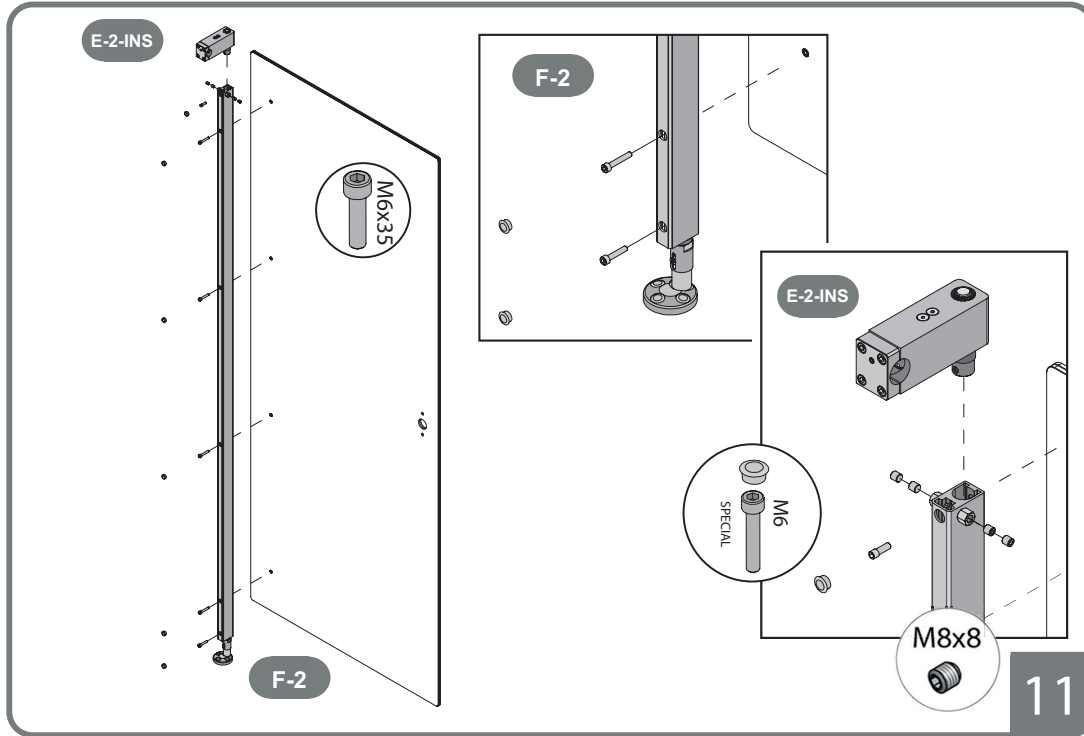
- + INSTALL PILASTER TO STABILIZING BAR AND FLOOR
- + USE LEG ADJUSTMENT (+/- 3/8") TO ENSURE THE PILASTER PANEL IS INSTALLED PLUMB AND LEVEL.
- + DO NOT FASTEN LEGS TO THE FLOOR UNTIL ALL PARTITIONS ARE INSTALLED AND ADJUSTED.
- + INSERT FULL HEIGHT VERTICAL JAMB PROFILE IN SIDE OF FIXED PILASTER FRONT PANEL.
- + MUST USE NEUTRAL CURE SILICONE. PLEASE REFERE TO CARVART RECOMMENDED BRANDS.



INSTALLATION INSTRUCTIONS

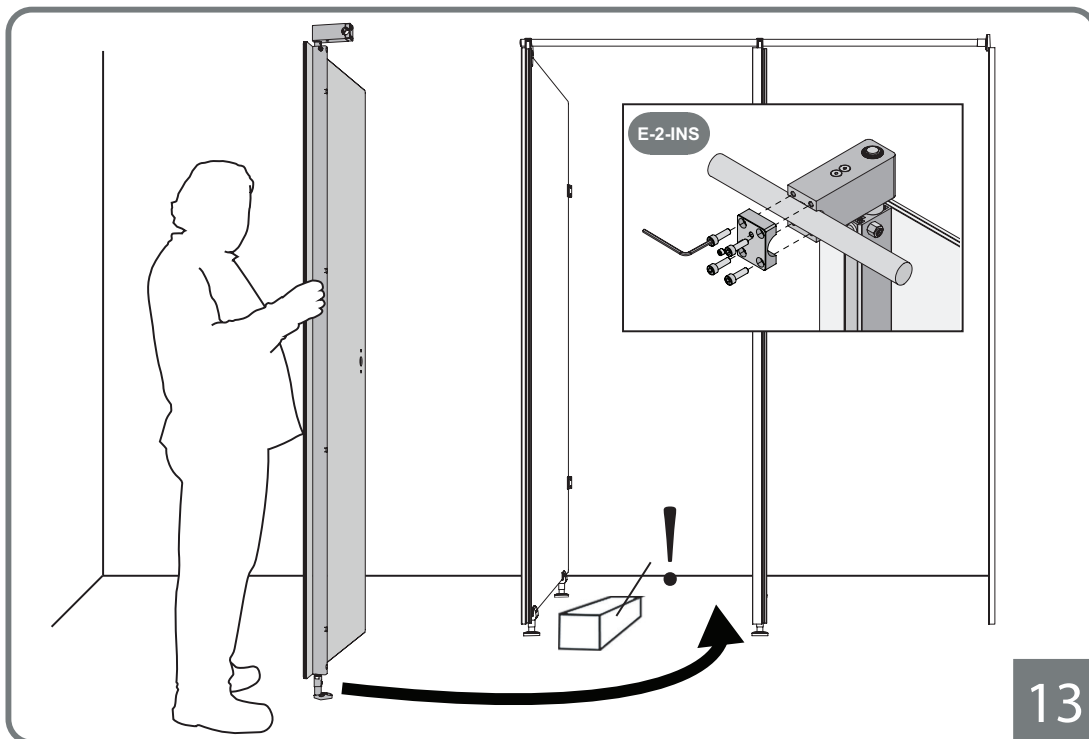
NOTES

Check all drawings



STEP 12

- + ASSEMBLE DOOR PANEL
- + CONNECT, HYDRAULIC CLOSER, FLOOR MOUNTED DOOR PIVOT, FULL HEIGHT VERTICAL BACK FASTENED MOUNTING PROFILE, AND DOOR PANEL.



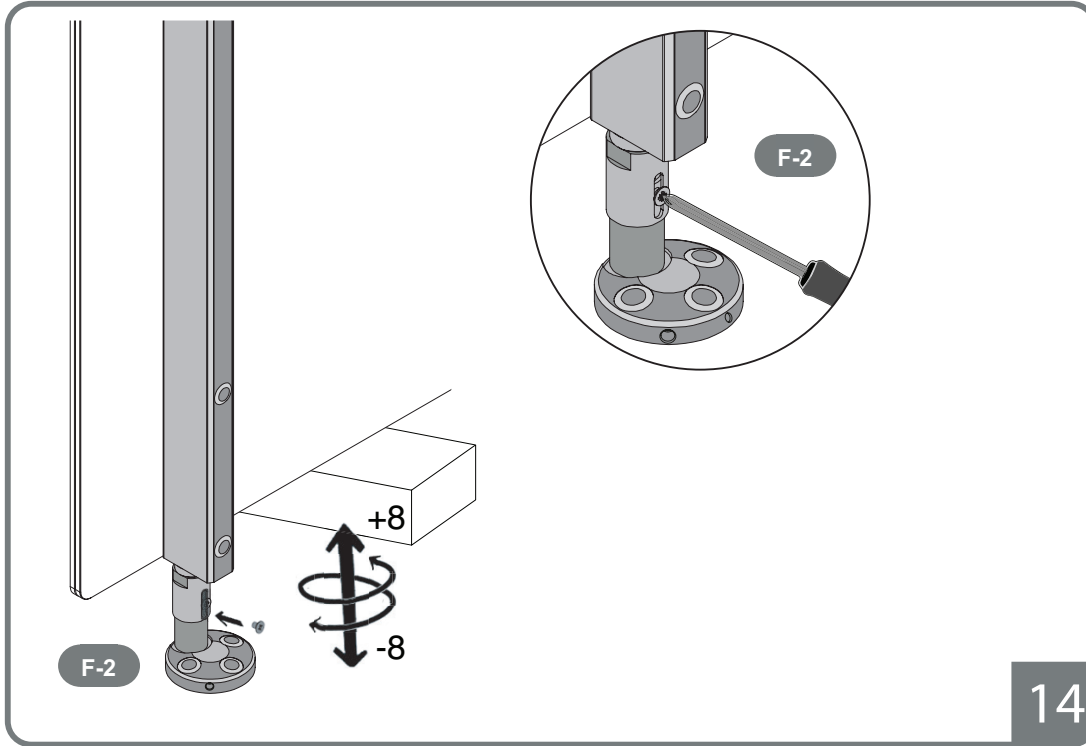
STEP 13

- + POSITION ASSEMBLED DOOR TO STABILIZING BAR VIA HYDRAULIC CLOSER.
- + PLACE THE DOOR, BUT FASTEN IN THE FOLLOWING STEPS.

INSTALLATION INSTRUCTIONS

NOTES

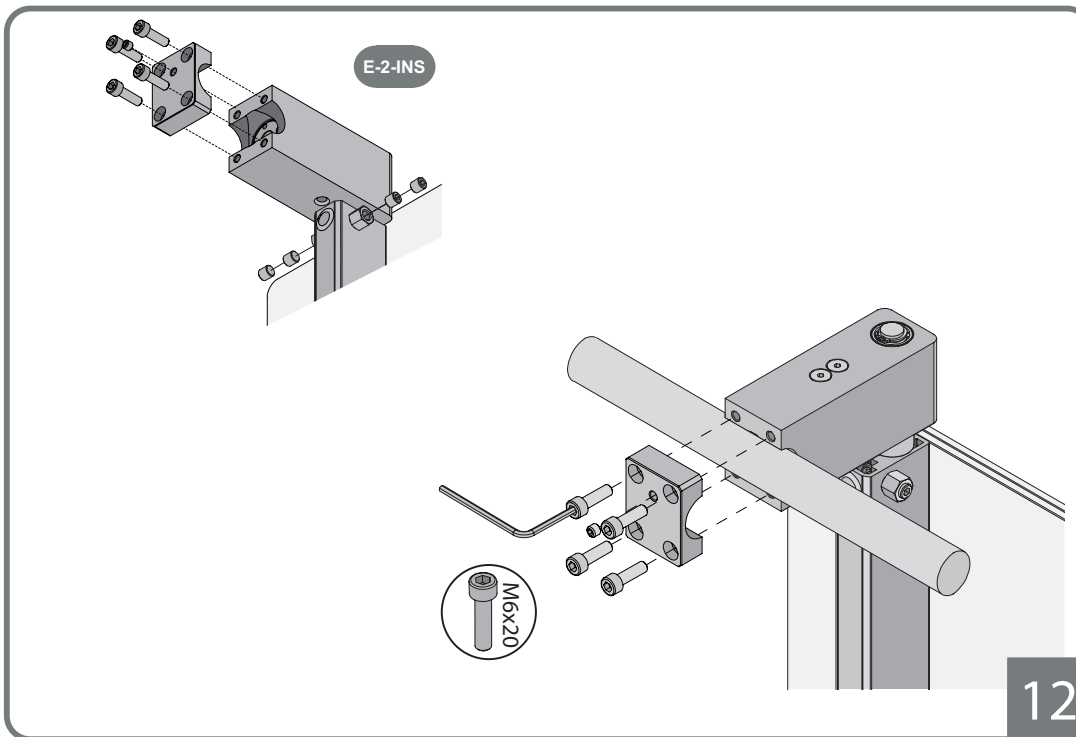
Check all drawings



COLOUR GLASS 12

STEP 14

- + MOUNT DOOR TO FLOOR
- + MAKE HEIGHT ADJUSTMENTS



STEP 15

- + ATTACH ASSEMBLED DOOR TO STABILIZING BAR VIA HYDRAULIC CLOSER.

INSTALLATION INSTRUCTIONS

NOTES

Check all drawings

B ADJUST

±5mm-13/64"

±5mm-13/64"

±5mm-13/64"

±5mm-13/64"

±5mm-13/64"

ø6mm

±5mm-13/64"

±5mm-13/64"

CHECK TOLLERANCE

P18

18

STEP 16

- + PLACE DOOR TO FLOOR
- + MAKE HEIGHT ADJUSTMENTS
- + MAKE LATERAL ADJUSTMENTS TO BASE PLATE

F-2

4.8X38

A FIX AT FLOOR

F-2

17

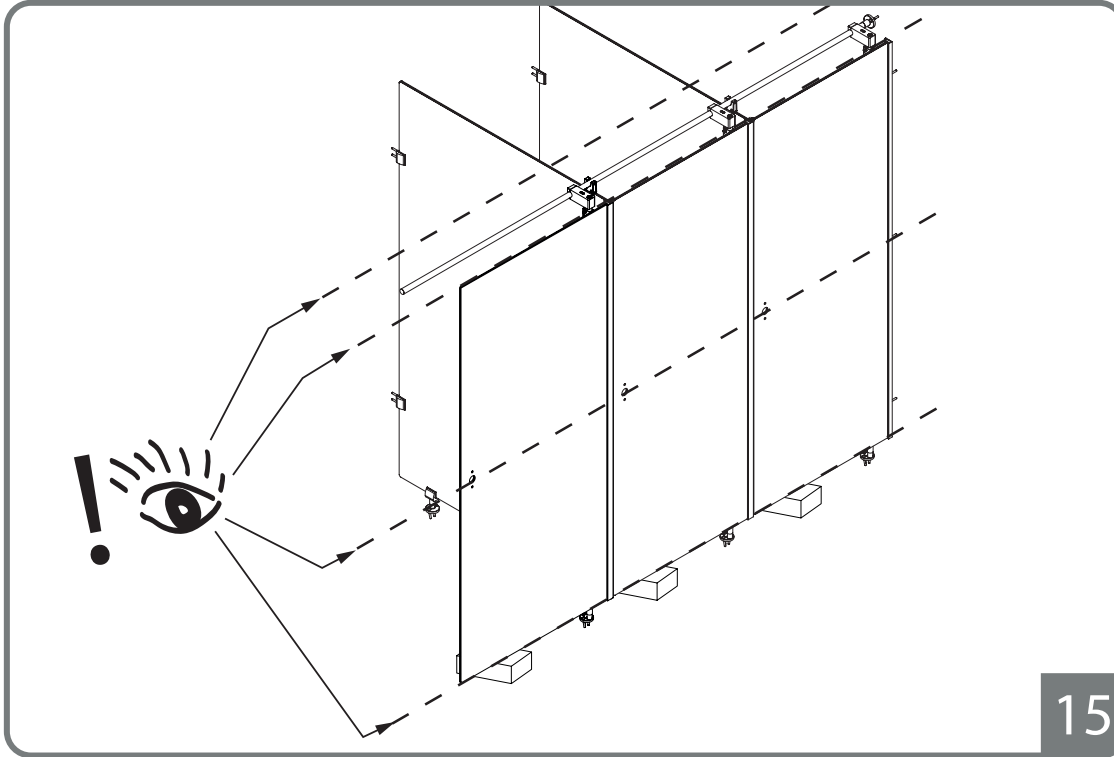
STEP 17

- + ONLY ONCE YOU ARE SATISFIED WITH ADJUSTMENTS DO YOU PROCEED TO FASTEN THE SUPPORT TO THE FLOOR.

INSTALLATION INSTRUCTIONS

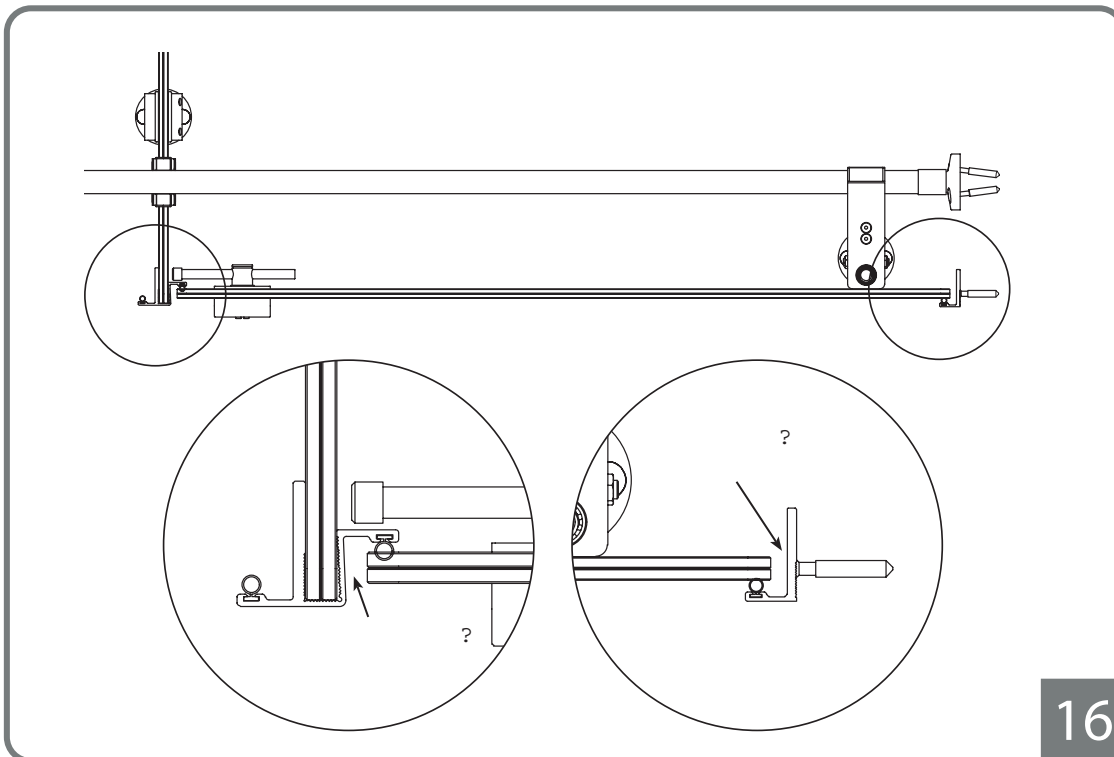
NOTES

Check all drawings



STEP 18

- + ALIGN EVERYTHING
- + ASSURE EVERY ITEM ALIGNS AND SITELINES ARE EVEN.



STEP 19

- + ADJUST JAMB CLEARANCES WITH DOOR PANEL
- + ENSURE UNIFORM GAPS AT ALL GLASS PANELS

INSTALLATION INSTRUCTIONS

NOTES

Check all drawings

F-2

C BLOCK IT!

4.8x38

D

FIX LAST SCREW

STEP 20

- + TIGHTEN AND ADJUST ALL COMPONENTS
- + MAKE SURE ALL COMPONENTS ARE SECURELY ANCHORED

E-2-INS

E-2-INS

E-2-INS

Ø 6

4.8x38

B

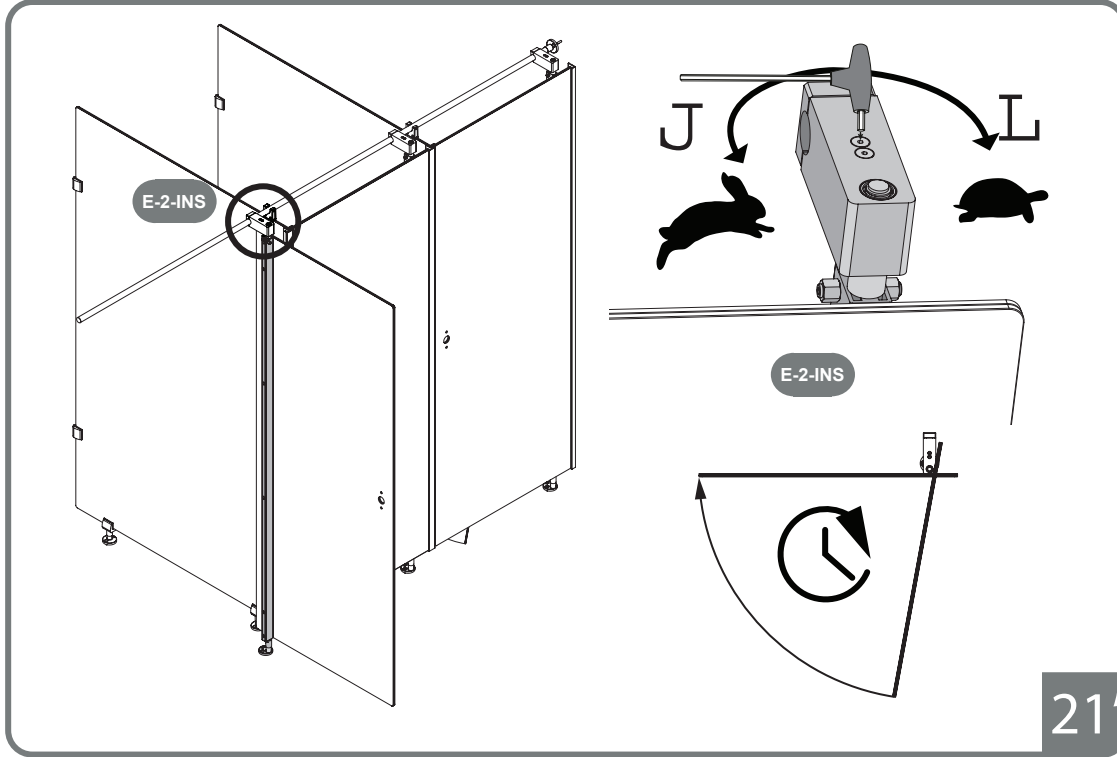
FIX ALL DIVIDER

20

INSTALLATION INSTRUCTIONS

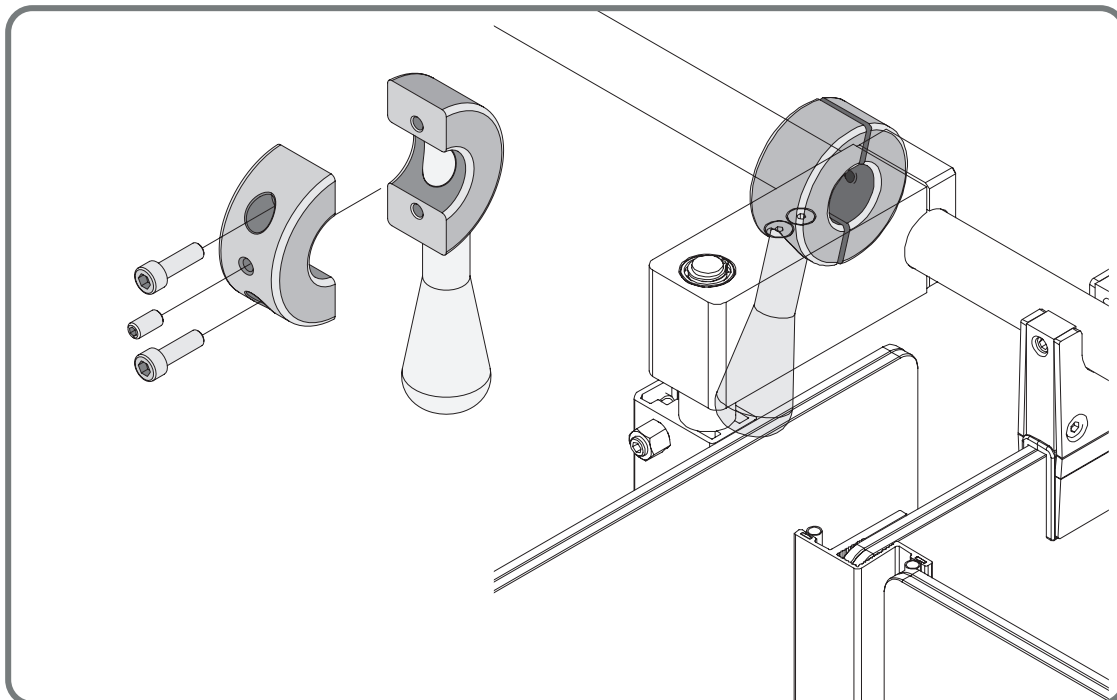
NOTES

Check all drawings



STEP 21

+ MAKE DOOR CLOSING SPEED ADJUSTMENTS



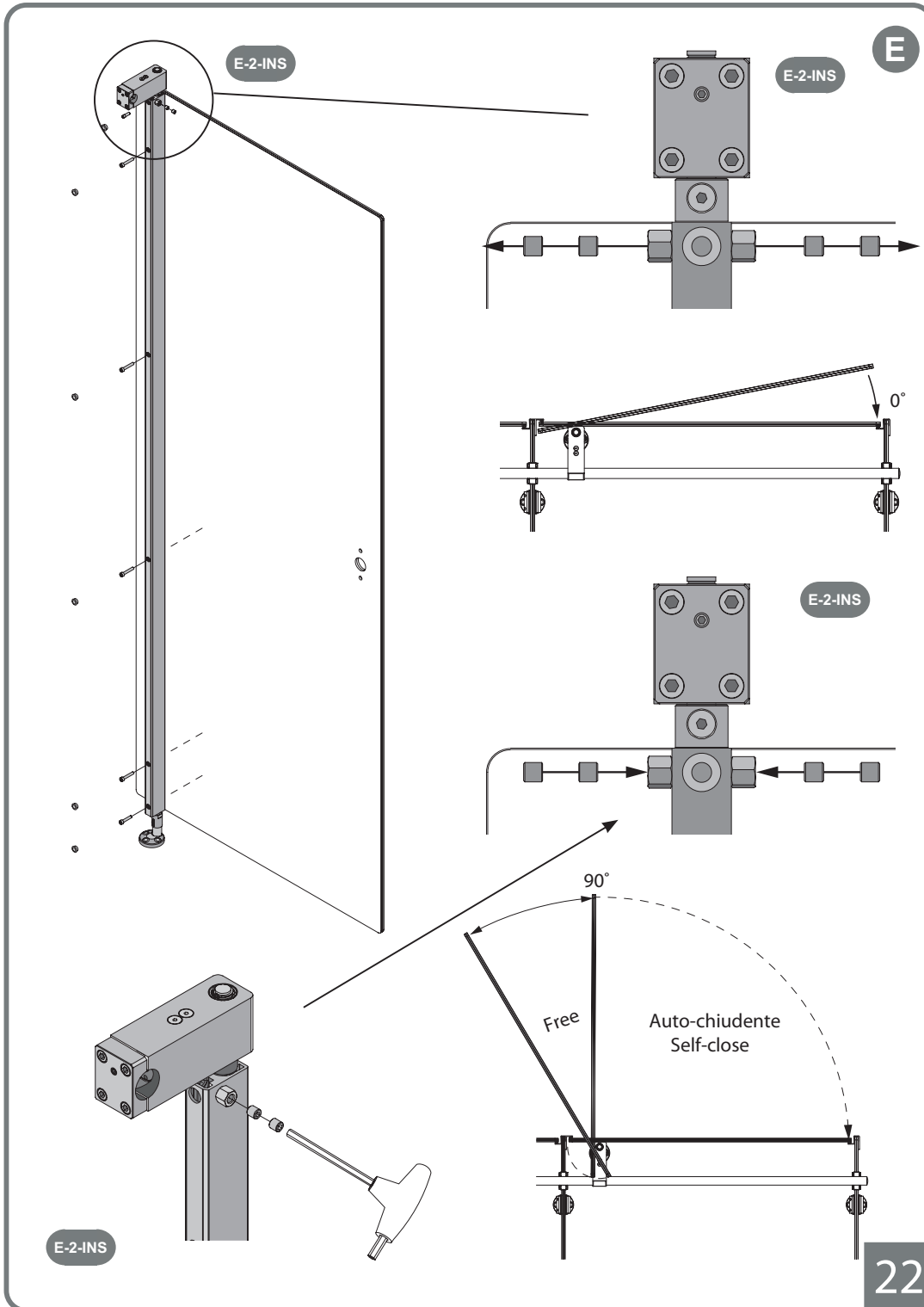
STEP 21 Cont.

+ INSTALL DOOR LIMIT STOPPERS ON STABILIZING BAR. (APPLICABLE TO OUT-SWING DOORS)

INSTALLATION INSTRUCTIONS

NOTES

Check all drawings



STEP 22

+ **DOUBLE CHECK AND TIGHTEN AND SECURE ALL DOOR COMPONENTS**

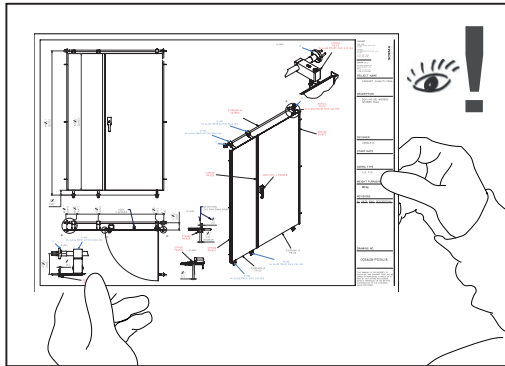
COLOUR GLASS 17

INSTALLATION INSTRUCTIONS

NOTES

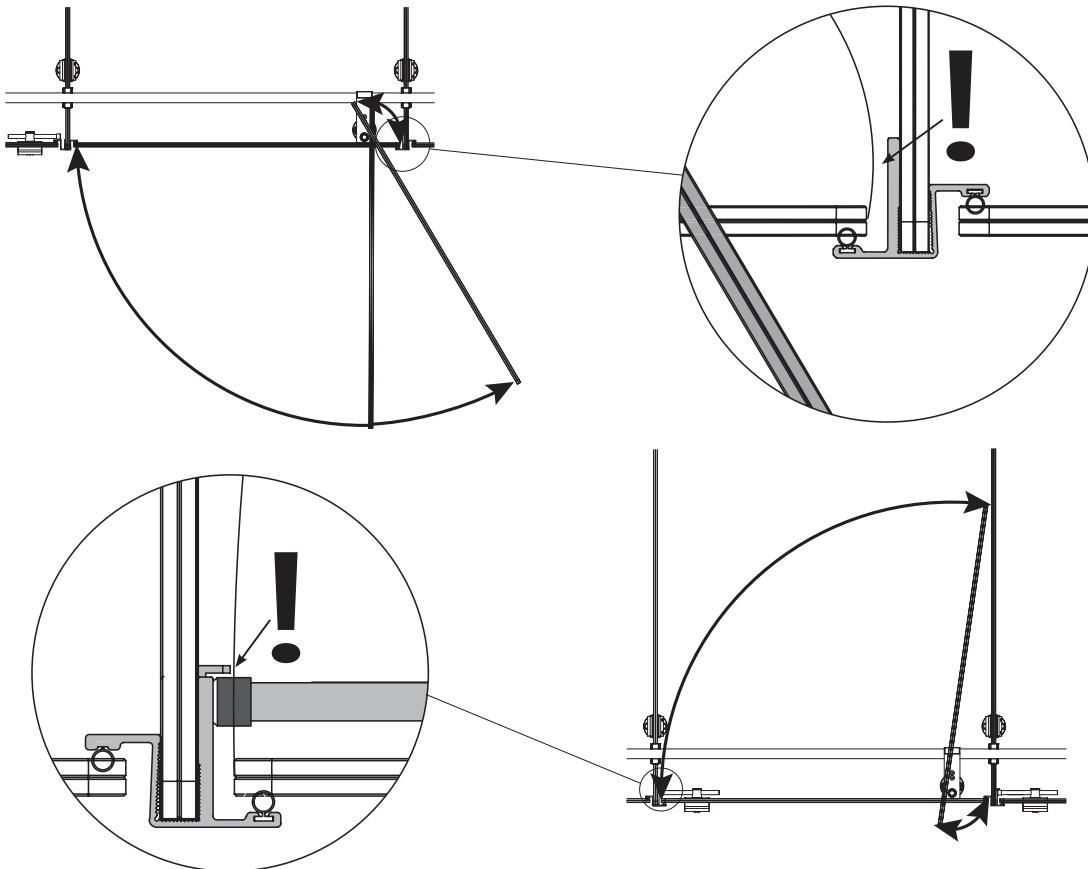
Check all drawings

!CAUTION!



STEP 23

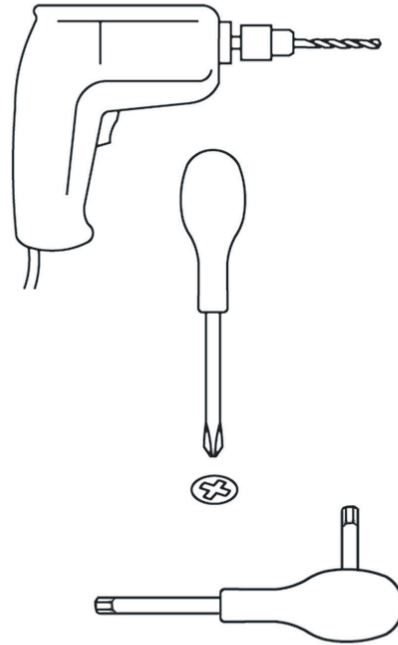
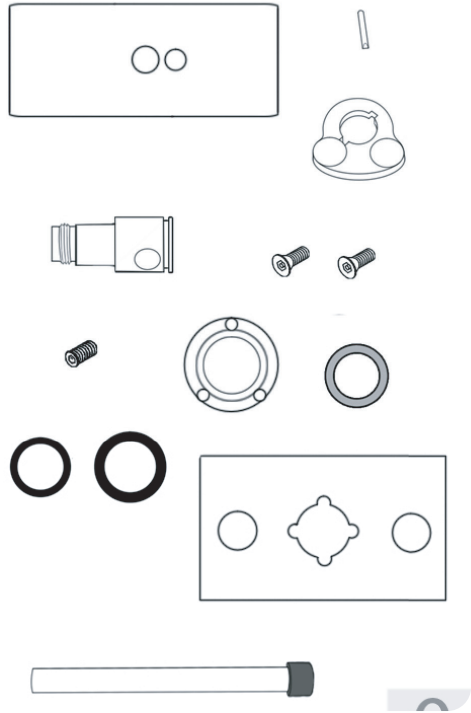
- + CHECK ALL ADJUSTMENTS AND SWING CLEARNCES
- + A. ADJUST LATCH SO IT HAS ENOUGH ROOM AWAY FROM THE JAMB.
- + CHECK DOOR SWING PROPERLY AND IS FUNCTIONAL. (TRY OPENING IT SEVERAL TIMES DURING INSTALLTION TO ENSURE PROPER OPERATION.



INSTALLATION INSTRUCTIONS

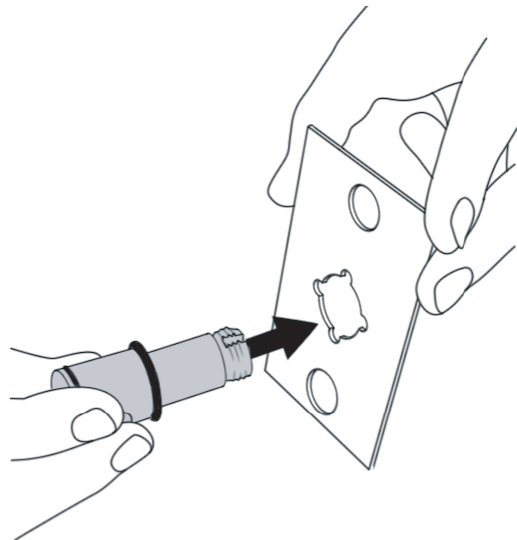
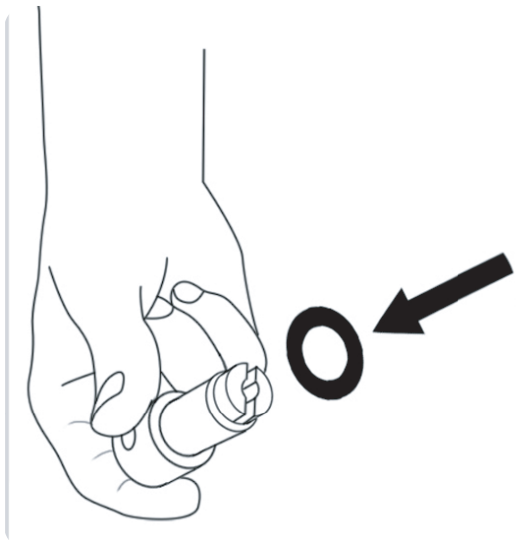
NOTES

Check all drawings



STEP 25

+ **DOUBLE CHECK YOU HAVE ALL LATCH COMPONENTS AND TOOLS**



STEP 26

+ **INSERT CIRCULAR CAP AND PLACE INTO PLASTER PLATE.**

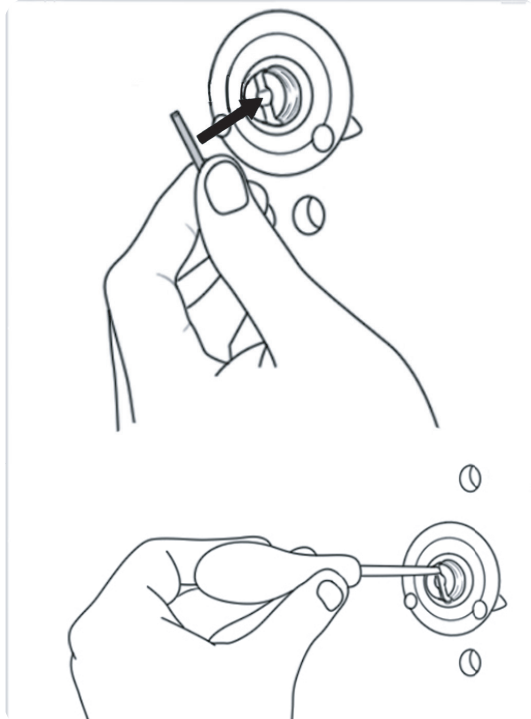
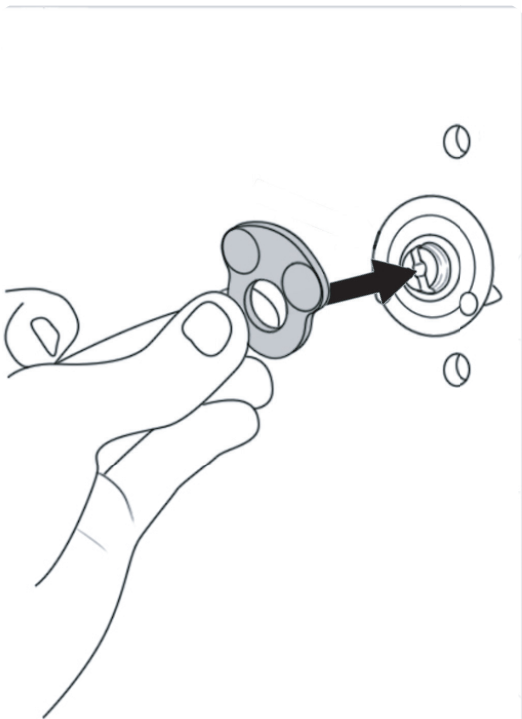
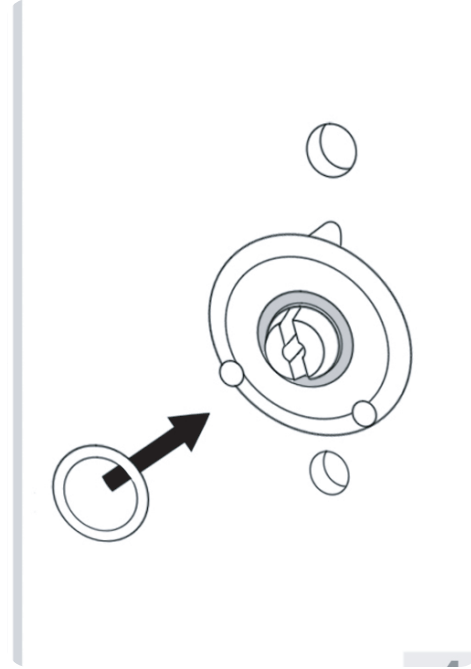
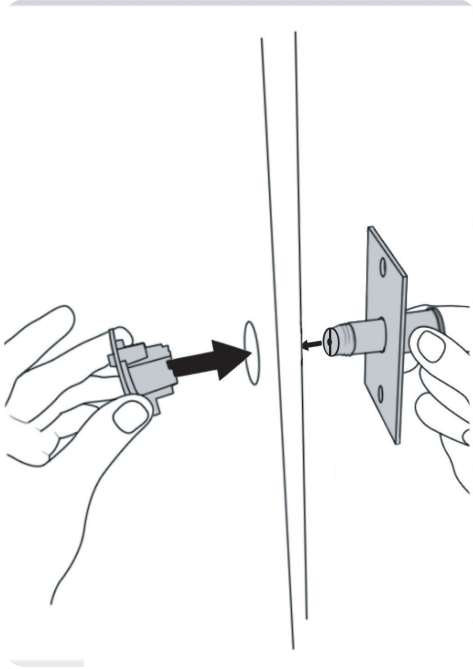
INSTALLATION INSTRUCTIONS

NOTES

Check all drawings

STEP 27

+ ASSEMBLE SELECTED
DOOR HARDWARE ON
DOOR PANEL



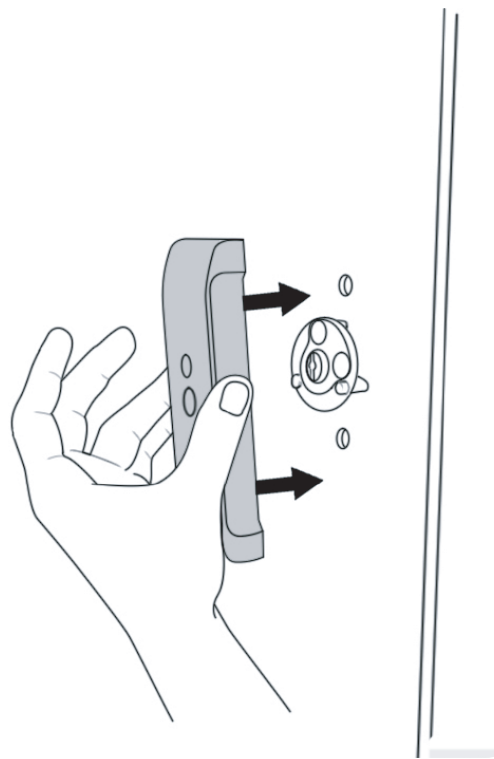
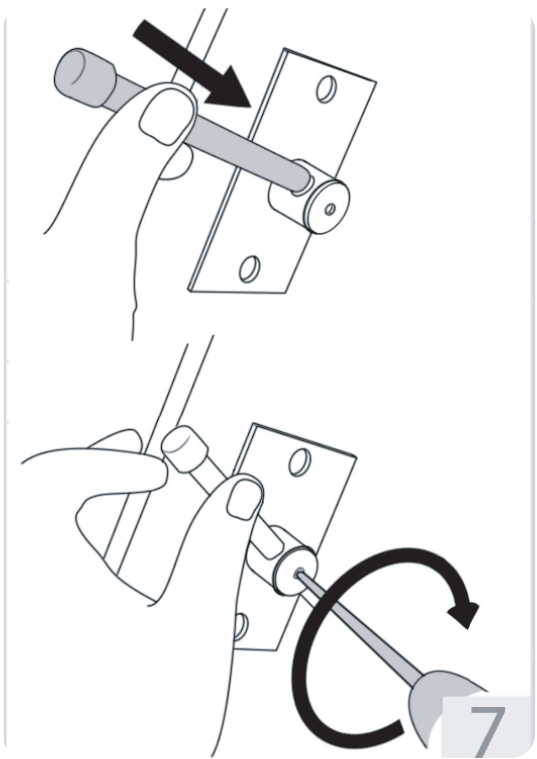
STEP 28

+ ASSEMBLE SELECTED
DOOR HARDWARE ON
DOOR PANEL

INSTALLATION INSTRUCTIONS

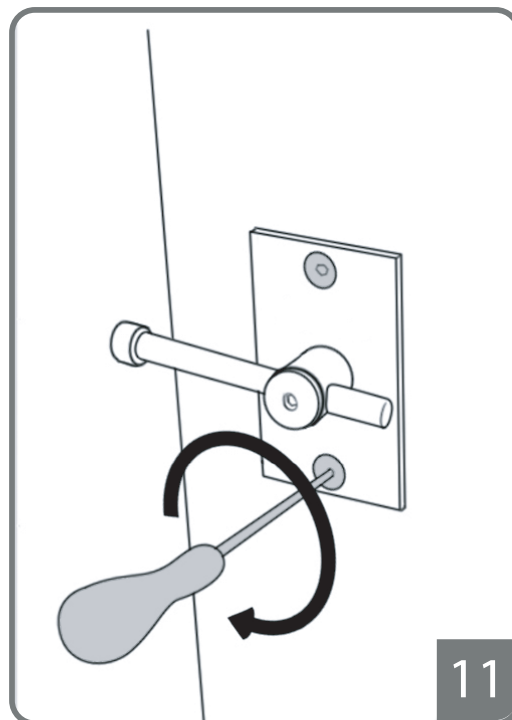
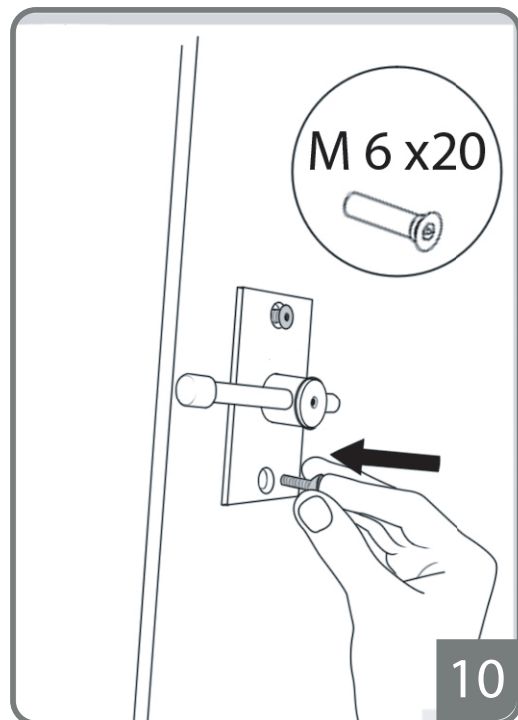
NOTES

Check all drawings



STEP 29

- + ASSEMBLE SELECTED DOOR HARDWARE ON DOOR PANEL



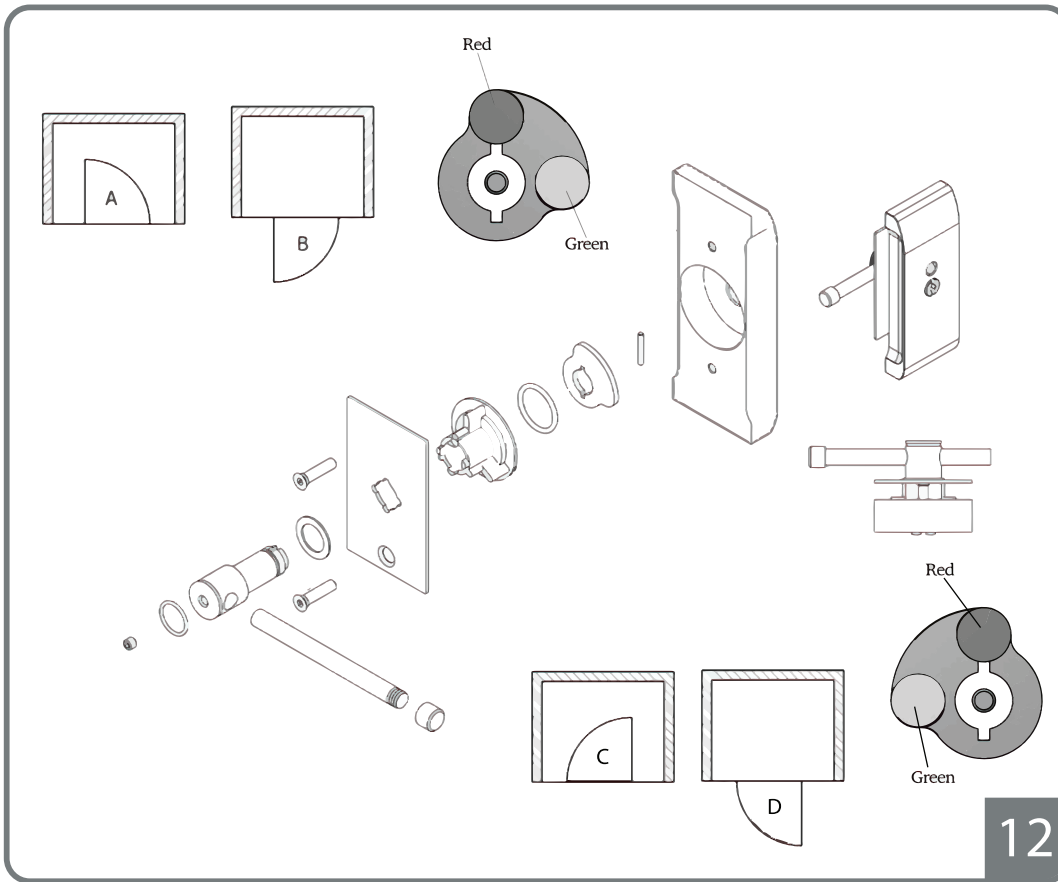
STEP 30

- + ASSEMBLE SELECTED DOOR HARDWARE ON DOOR PANEL

INSTALLATION INSTRUCTIONS

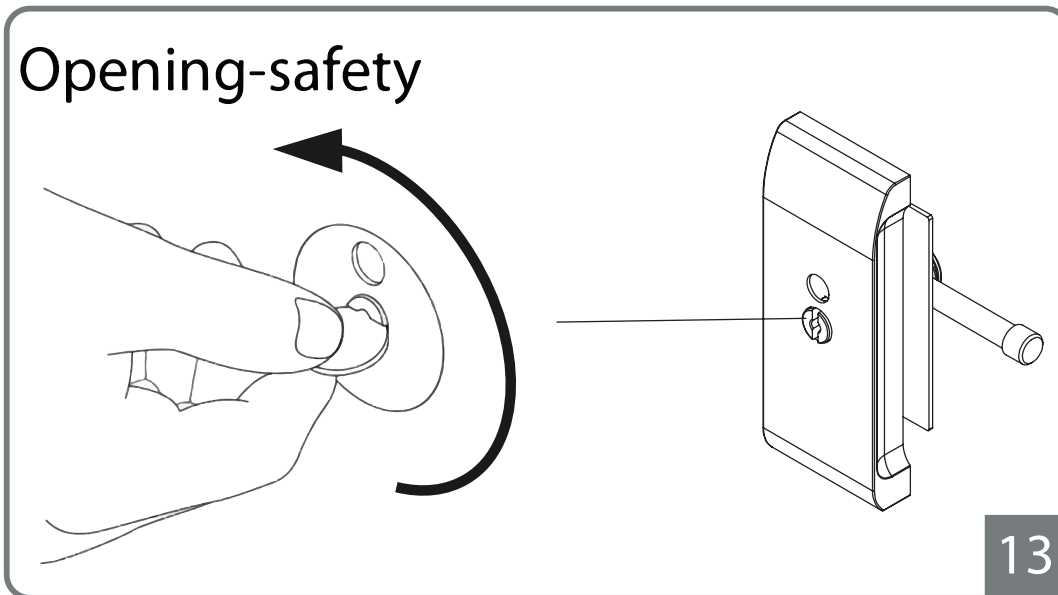
NOTES

Check all drawings



STEP 31

+ ASSEMBLE SELECTED DOOR HARDWARE ON DOOR PANEL



Opening-safety

STEP 32

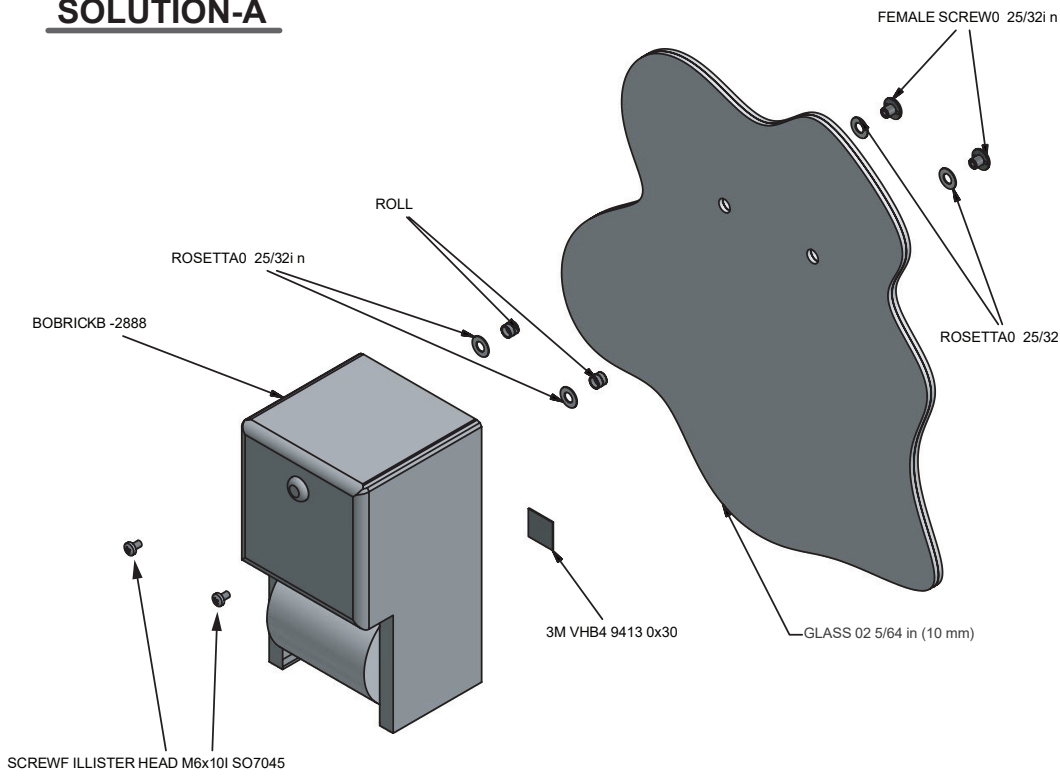
+ ASSEMBLE SELECTED DOOR HARDWARE ON DOOR PANEL

PRE-APPROVED 3RD PARTY ACCESSORIES

NOTES

Check all drawings

SOLUTION-A



EXAMPLE 1

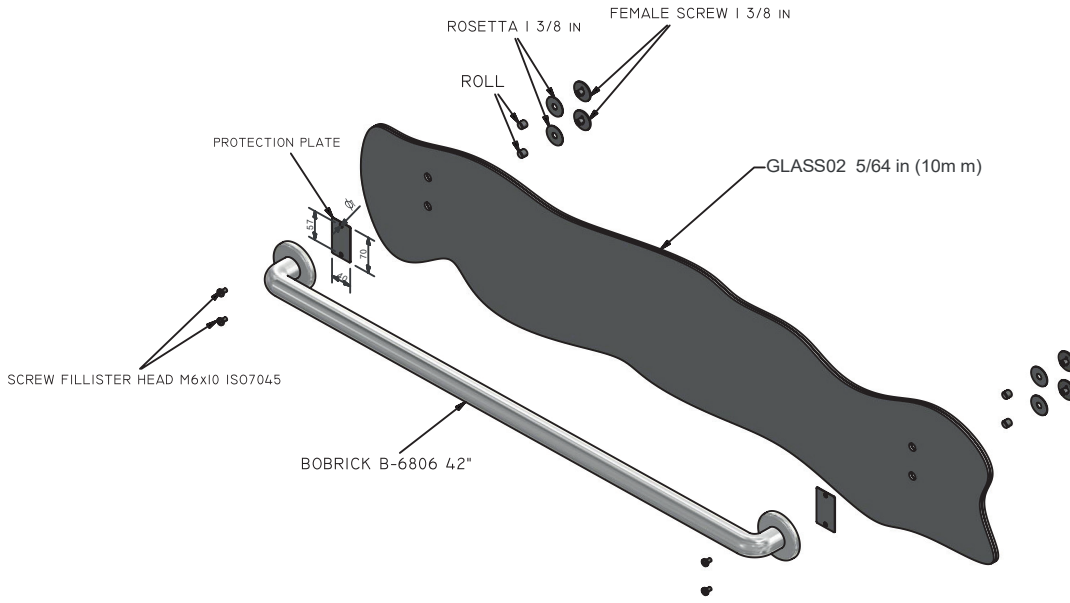
+ ASSEMBLE PRE-APPROVED 3RD PARTY ACCESSORY.

PRE-APPROVED 3RD PARTY ACCESSORIES

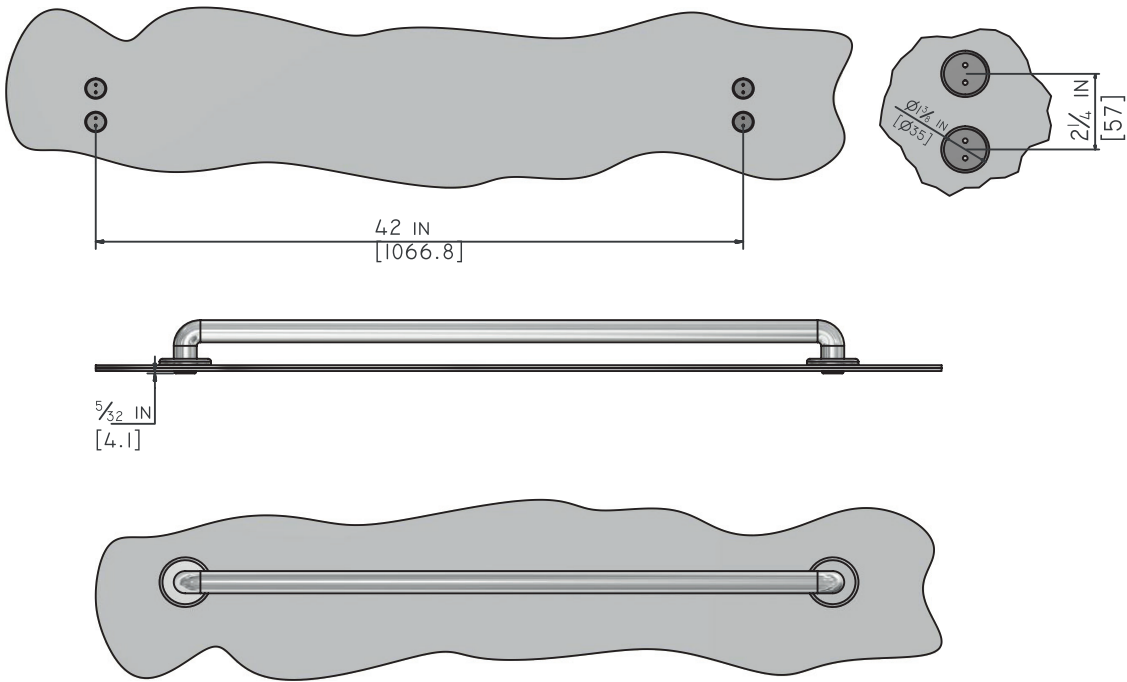
NOTES

Check all drawings

GRAB-BAR SOLUTION



THEO PPOSITES IDEO FT HE DIVISION



COLOUR GLASS 21

EXAMPLE 2

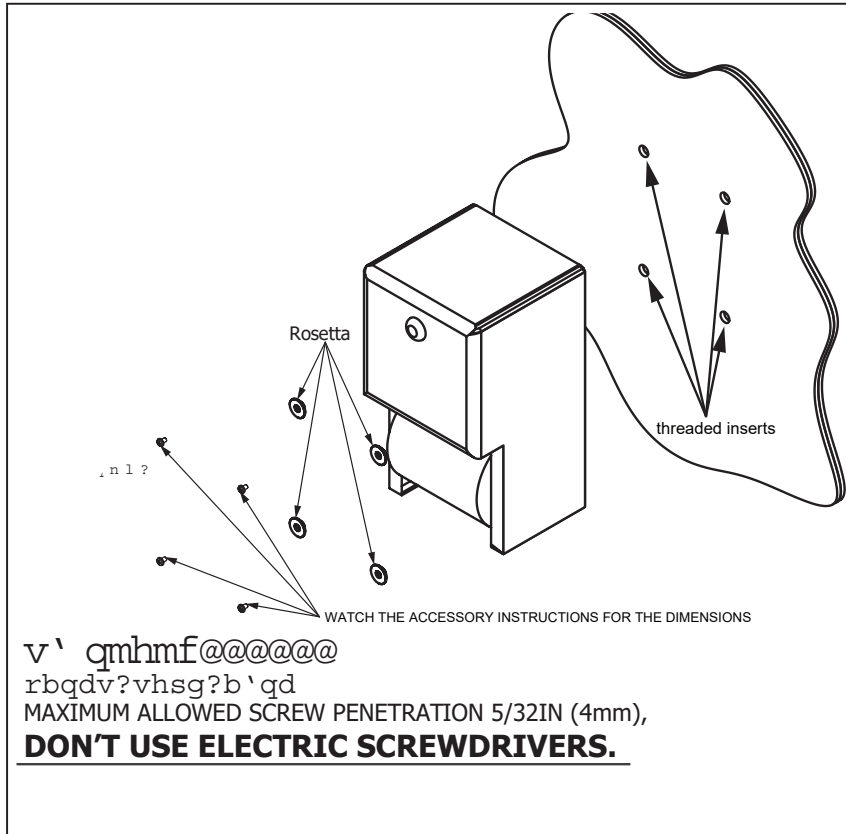
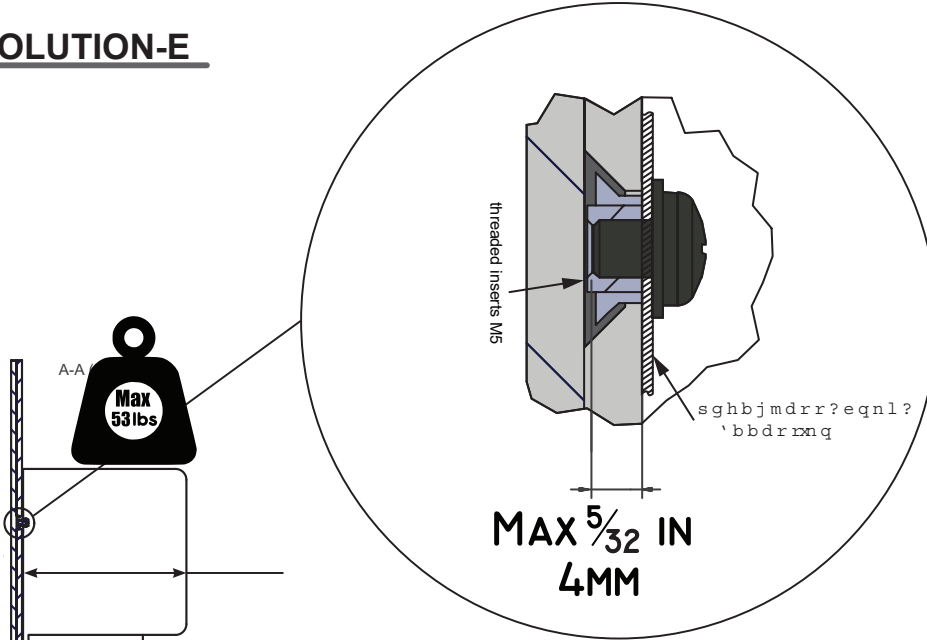
+ ASSEMBLE PRE-APPROVED 3RD PARTY ACCESSORY.

PRE-APPROVED 3RD PARTY ACCESSORIES

NOTES

Check all drawings

SOLUTION-E



EXAMPLE 3

+ ASSEMBLE PRE-APPROVED 3RD PARTY ACCESSORY.

COLOUR GLASS 2 0