



INSTALLATION INSTRUCTIONS

glassSTACKWALL > Framed

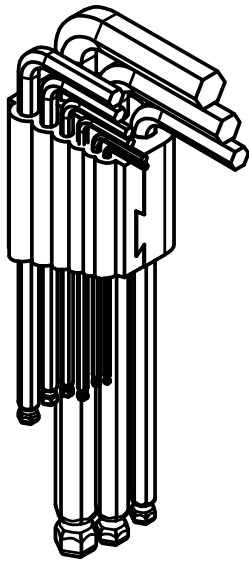
VERSION 1.1

Table of Contents

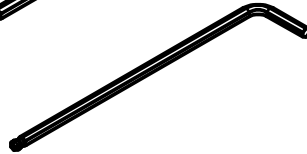
Required Tools	-----	1
Panel Assembly	-----	4
System Assembly	-----	14

REQUIRED TOOLS

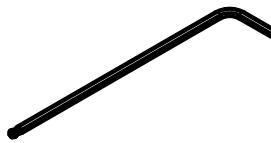
Allen metric key set or use only the following three (3) allen keys:



4mm allen key

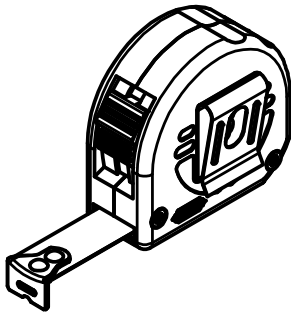


3mm allen key

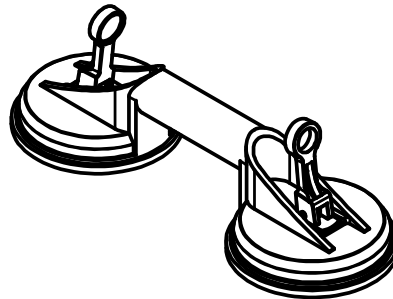


2.5mm allen key

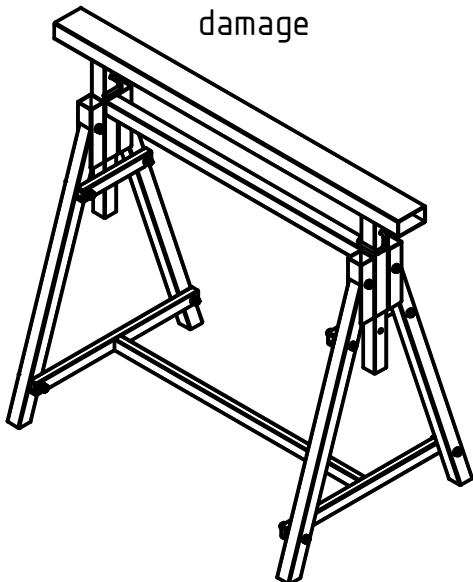
Measuring tape



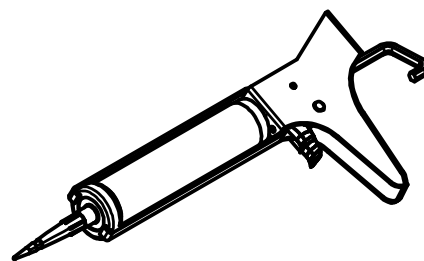
Suction cups



Saw horse with carpet or protected to prevent glass damage

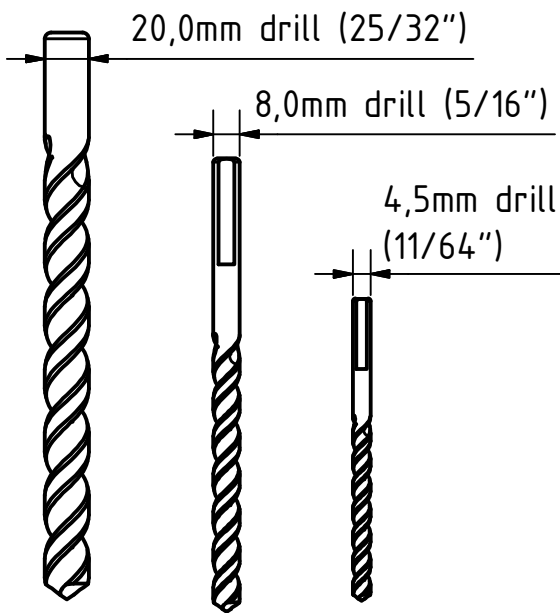


Silicone or RTV 408 gun

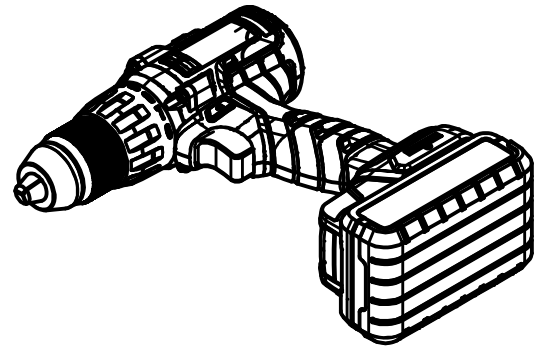


REQUIRED TOOLS

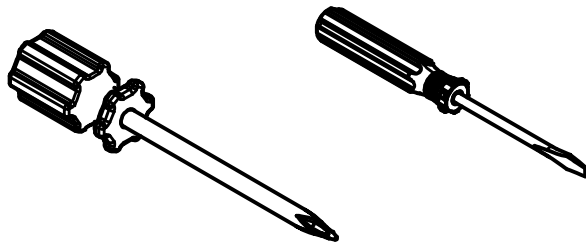
Drills



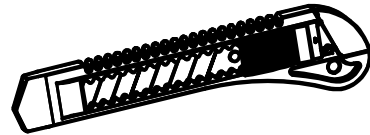
Portable drill machine
(NOT impact drill)



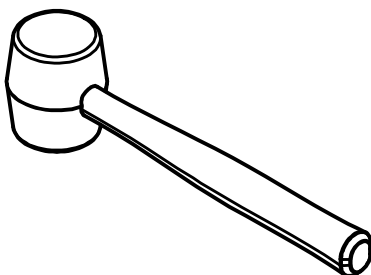
Screwdrivers
Flat head & Philips



Knife

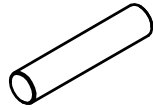


Rubber mallet

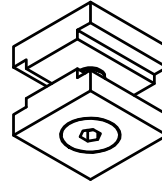


PROVIDED BY CARVART

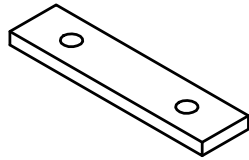
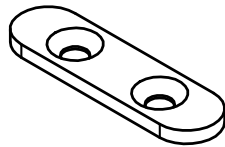
Top track connectors
(4mm stainless steel pins)



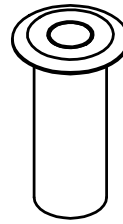
729.942 STOP



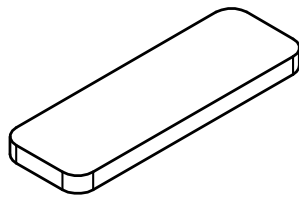
729.657



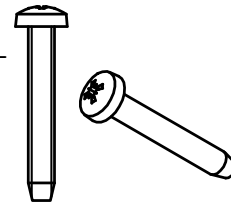
999.936 Lock casing
(Dust-proof strike)



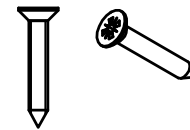
PLASTIC SPACER FOR GLASS



ST.STEEL SHEET METAL
ROUND HEAD
SCREWS 4.8x32



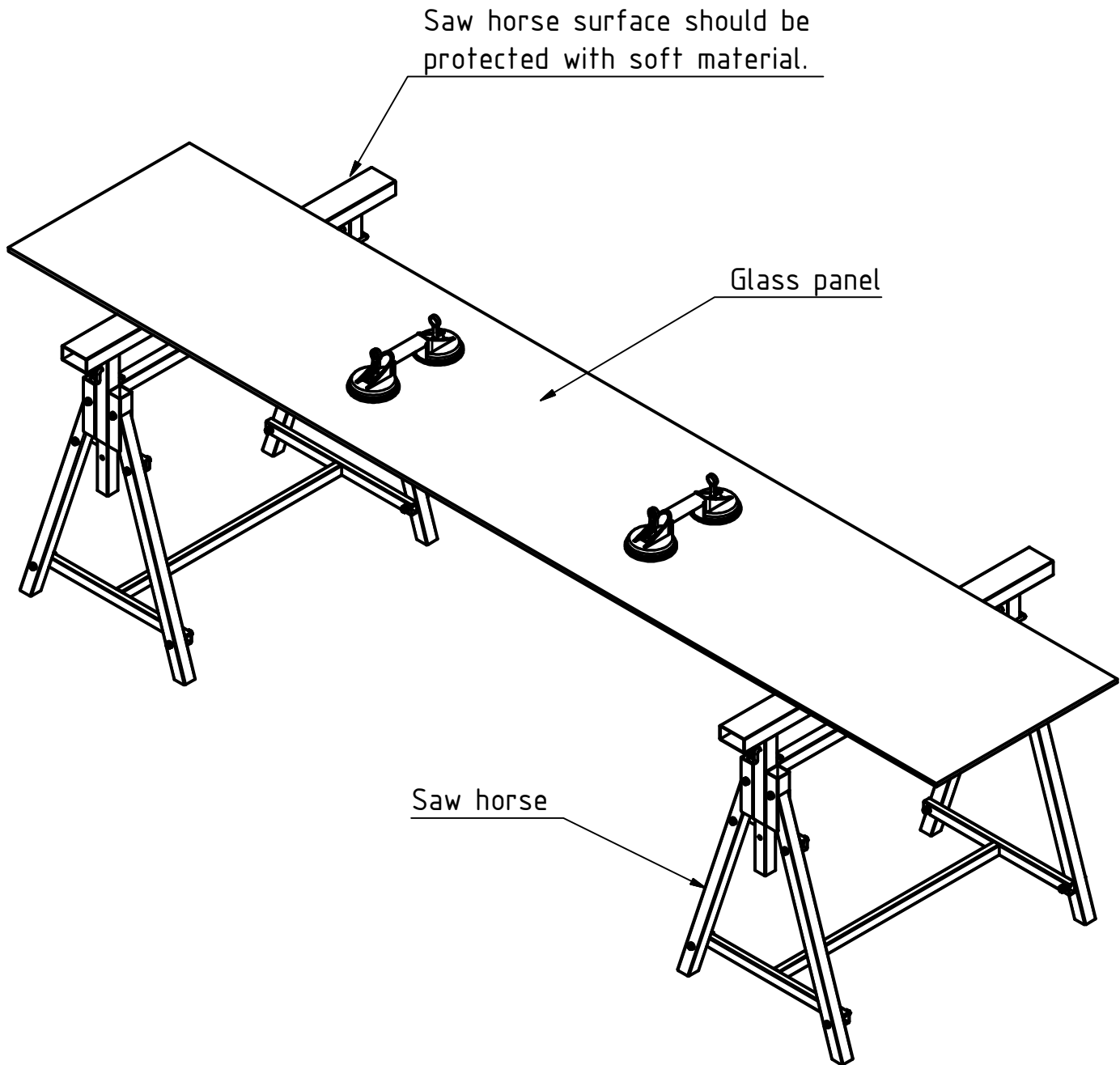
ST.STEEL SHEET METAL
COUNTERSHUNK
SCREWS 4.8x32



Brush for guide profile



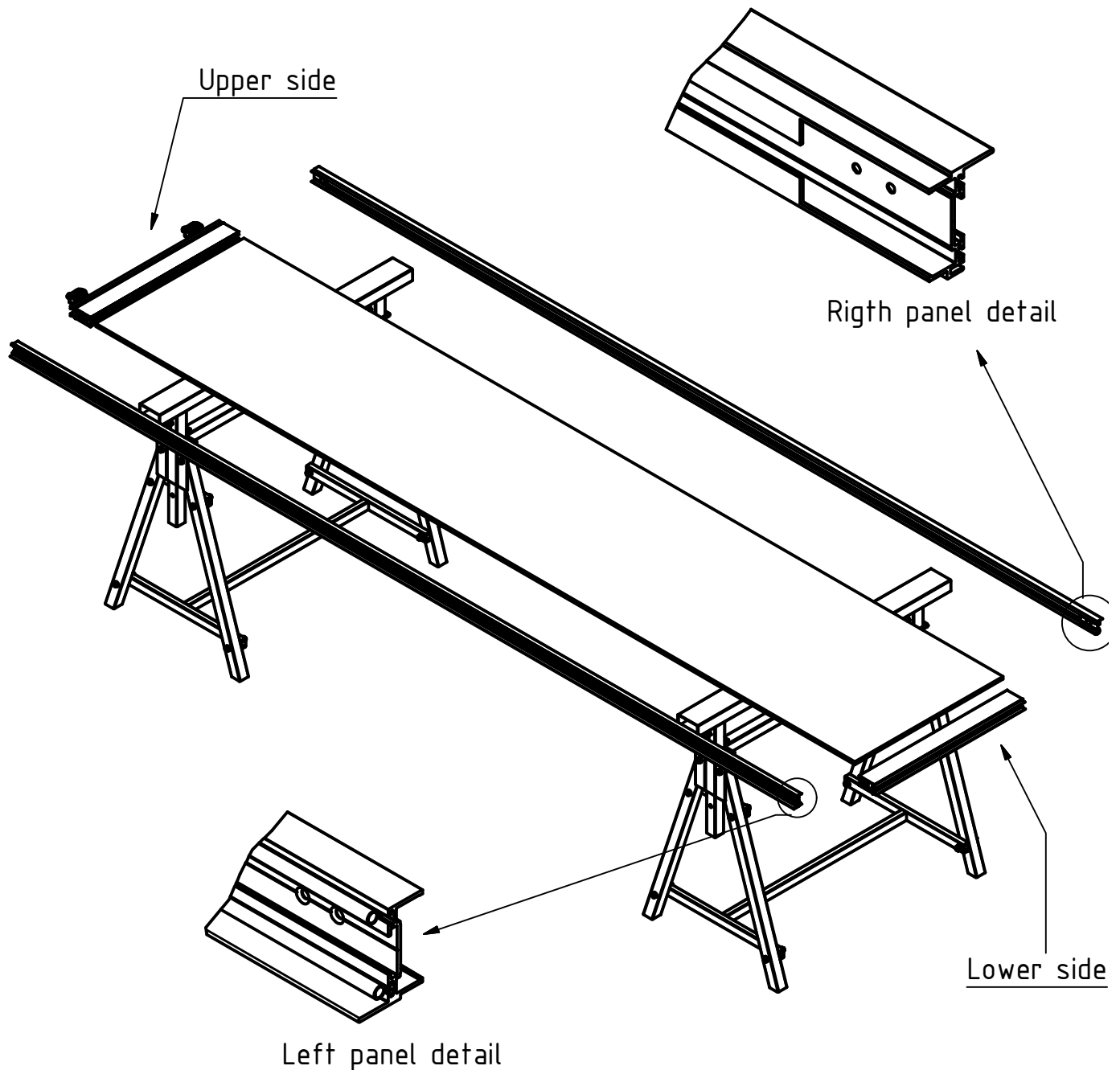
PANEL ASSEMBLY



STEP-1:

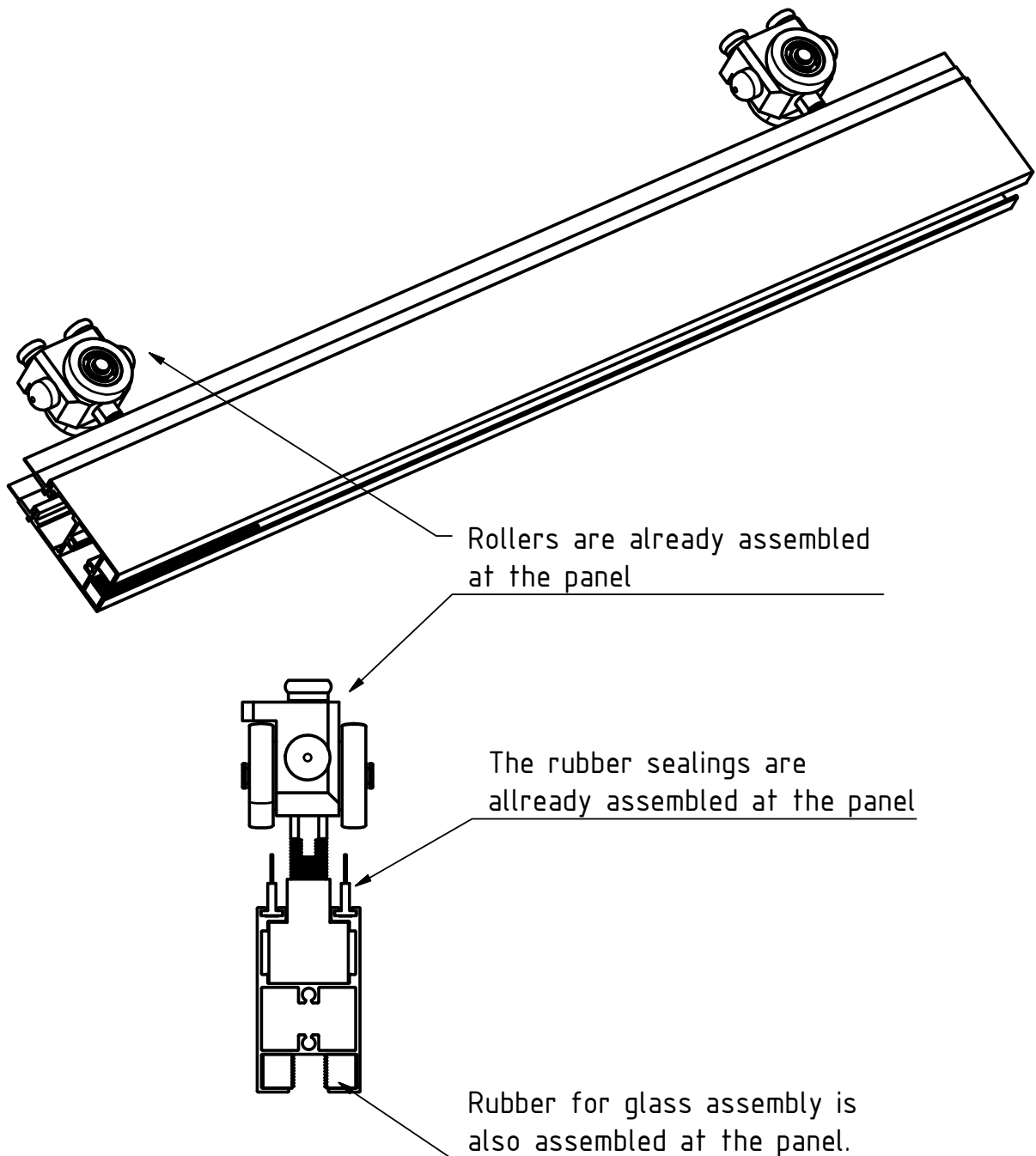
Place the glass on the saw horses.

Make the sure that the saw horse surface is protected with a soft material.



STEP-2:

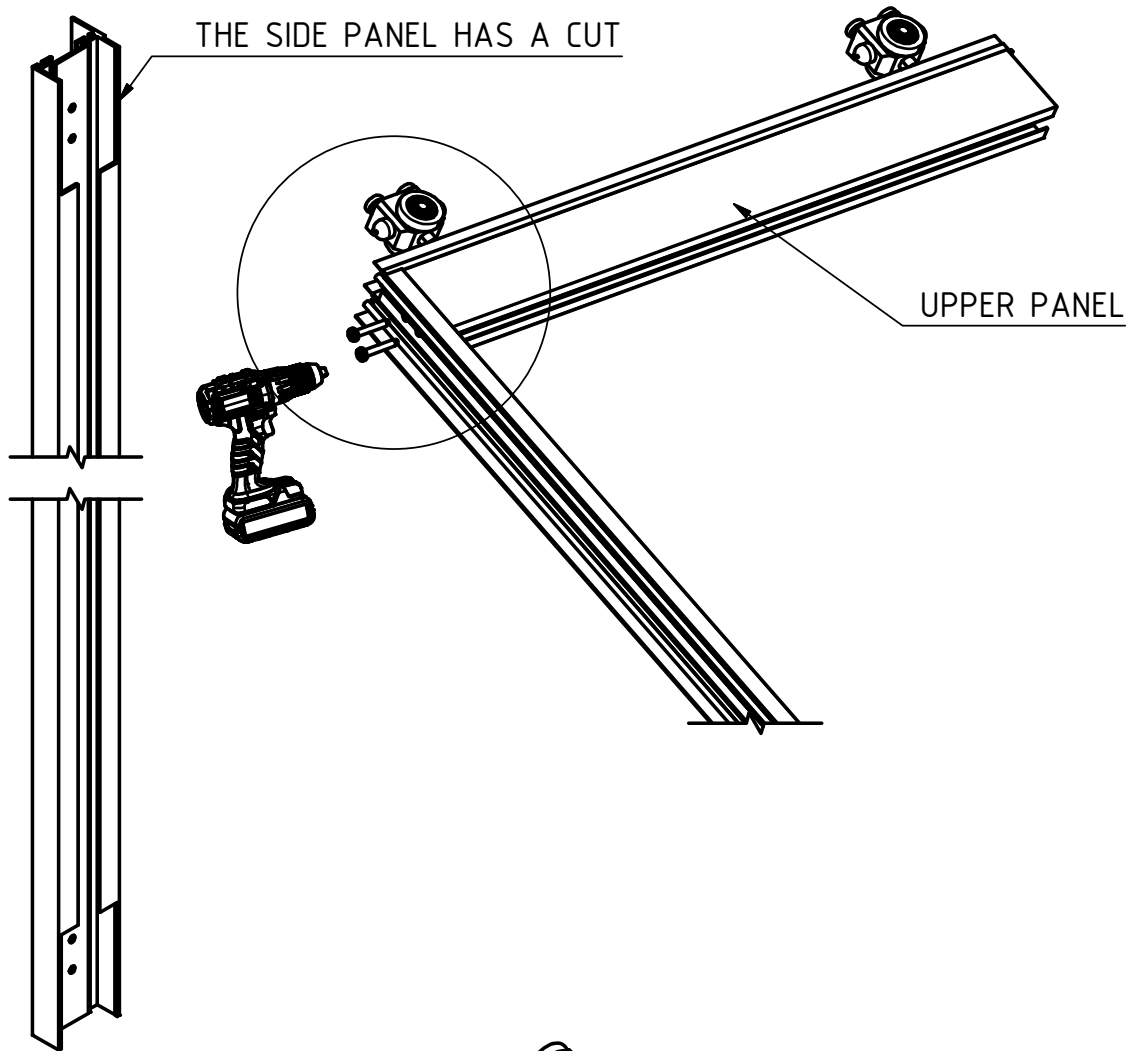
The job that has to be done is the assembly of the panels on the glass. Four (4) pieces of alum. profile have to be assembled at each side of the glass panel. All profiles have cuts and holes for the assembly.



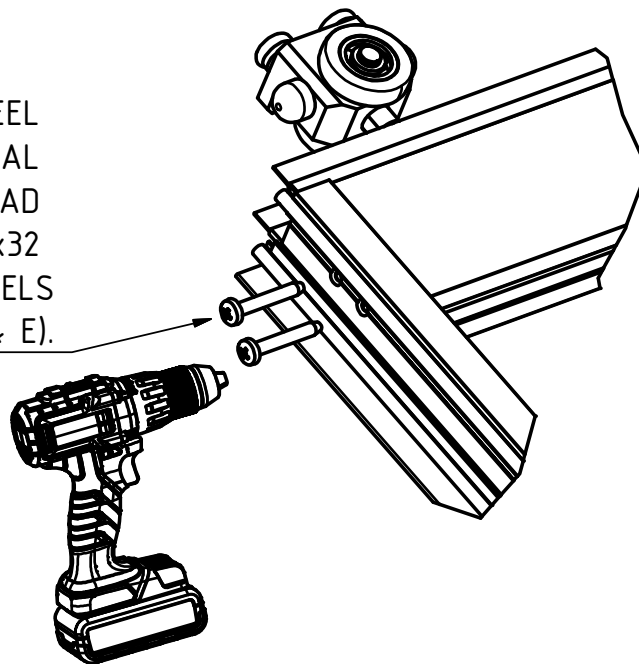
STEP-3:

Start from the upper panel.

The panel is already assembled with either the rollers or the pivot if it is the opening door panel.

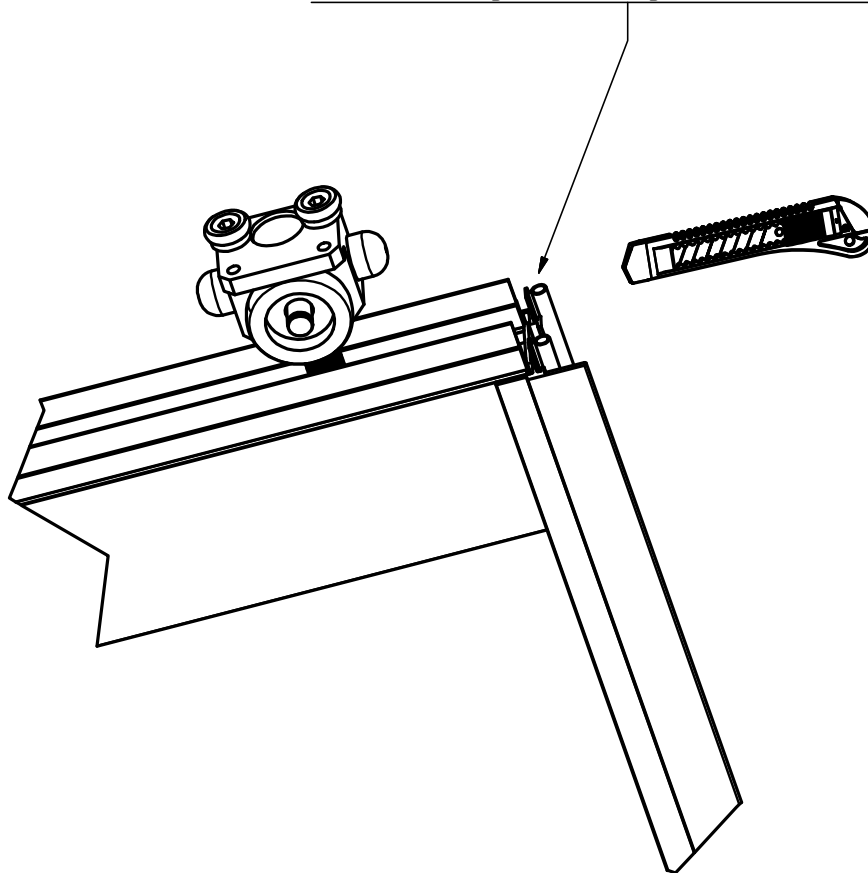


USE THE ST.STEEL
SHEET METAL
ROUND HEAD
SCREWS 4.8x32
(FOR ALL PANELS
A-PIL, B, D & E).



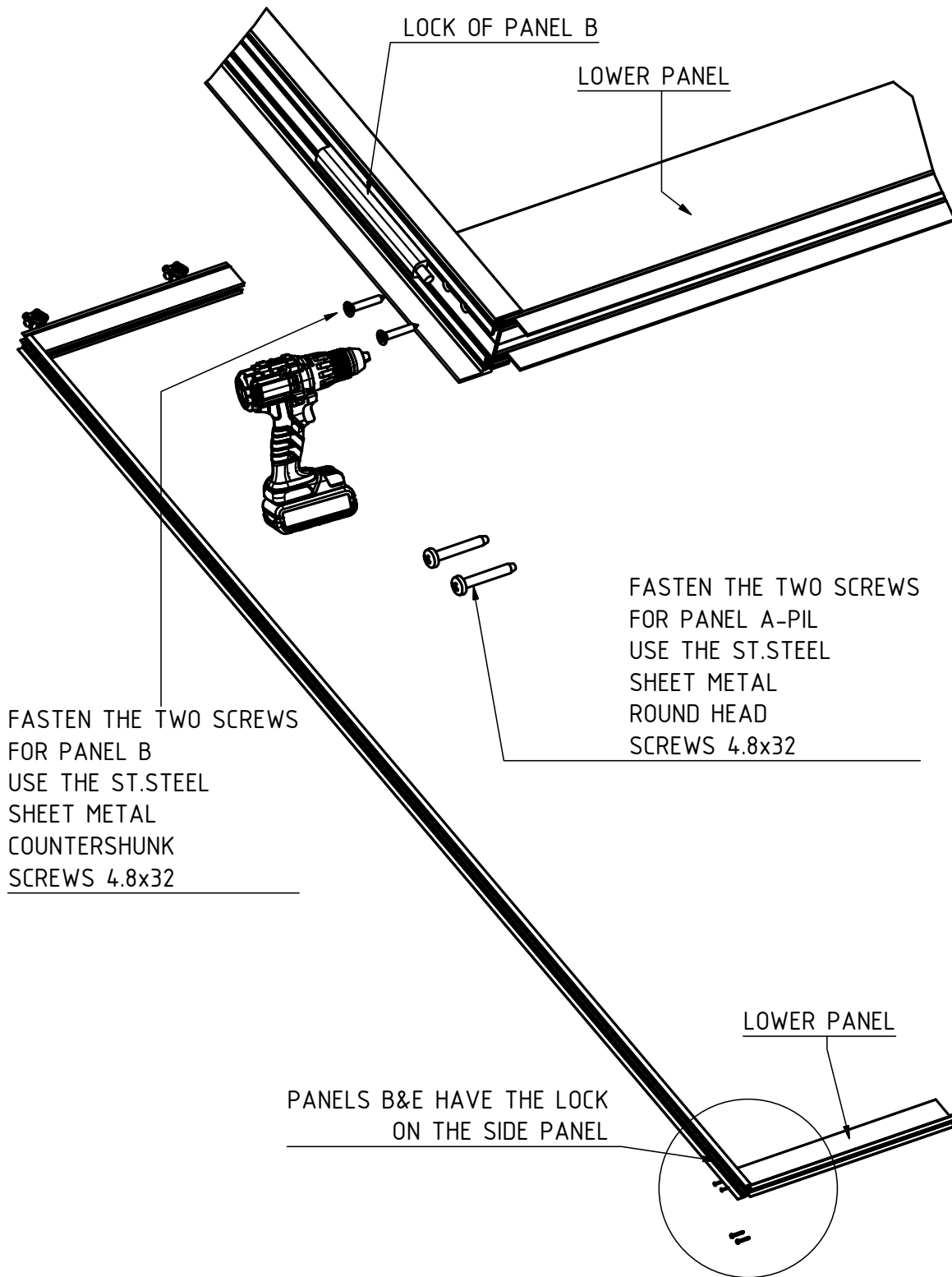
STEP-4:
Assembly the side panel with the upper panel.

After the panel assembly use
a cutter to remove the remaining
rubber sealings at the edge of the assembly

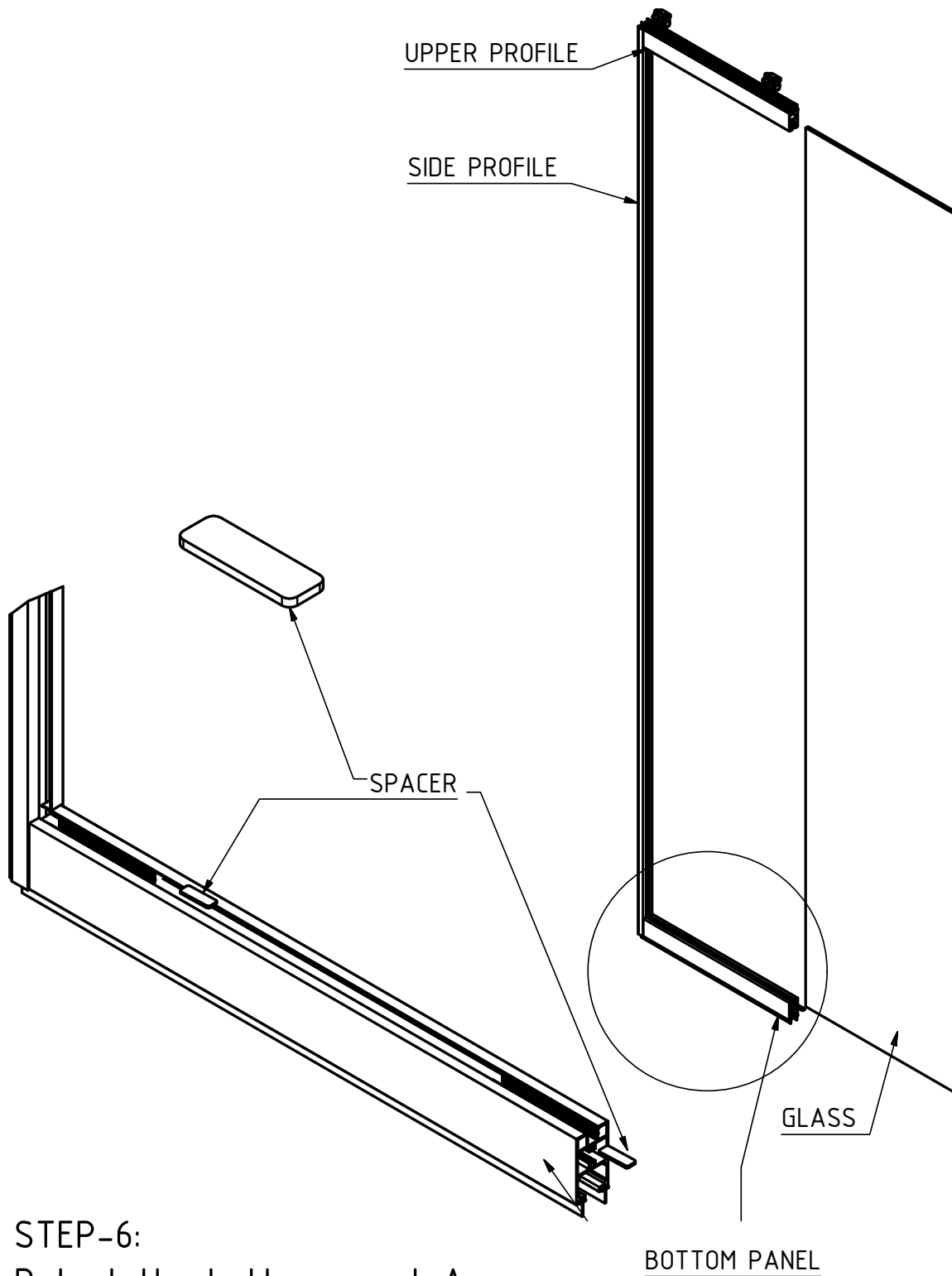


STEP-4B:

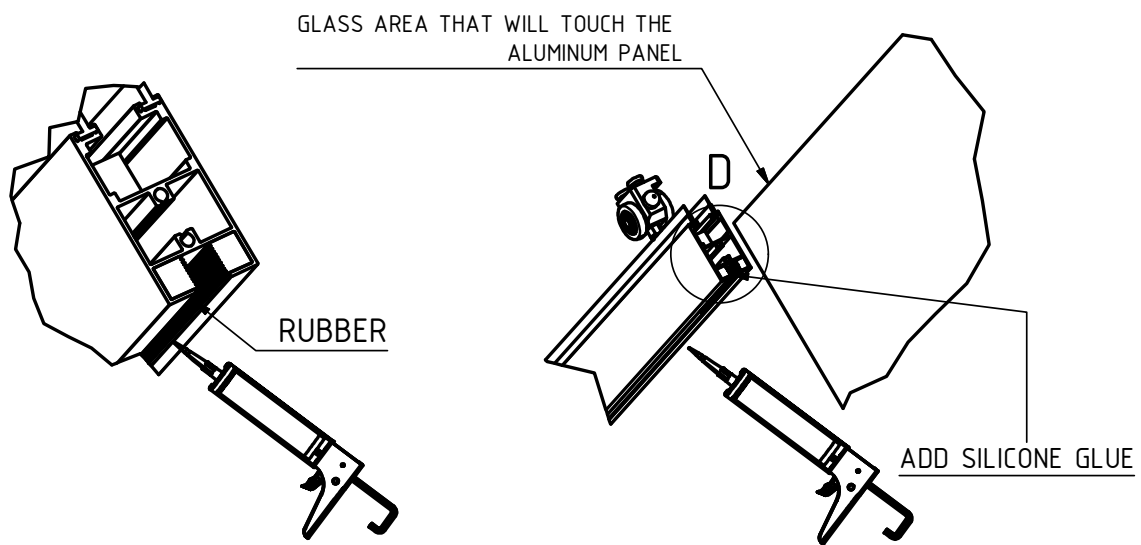
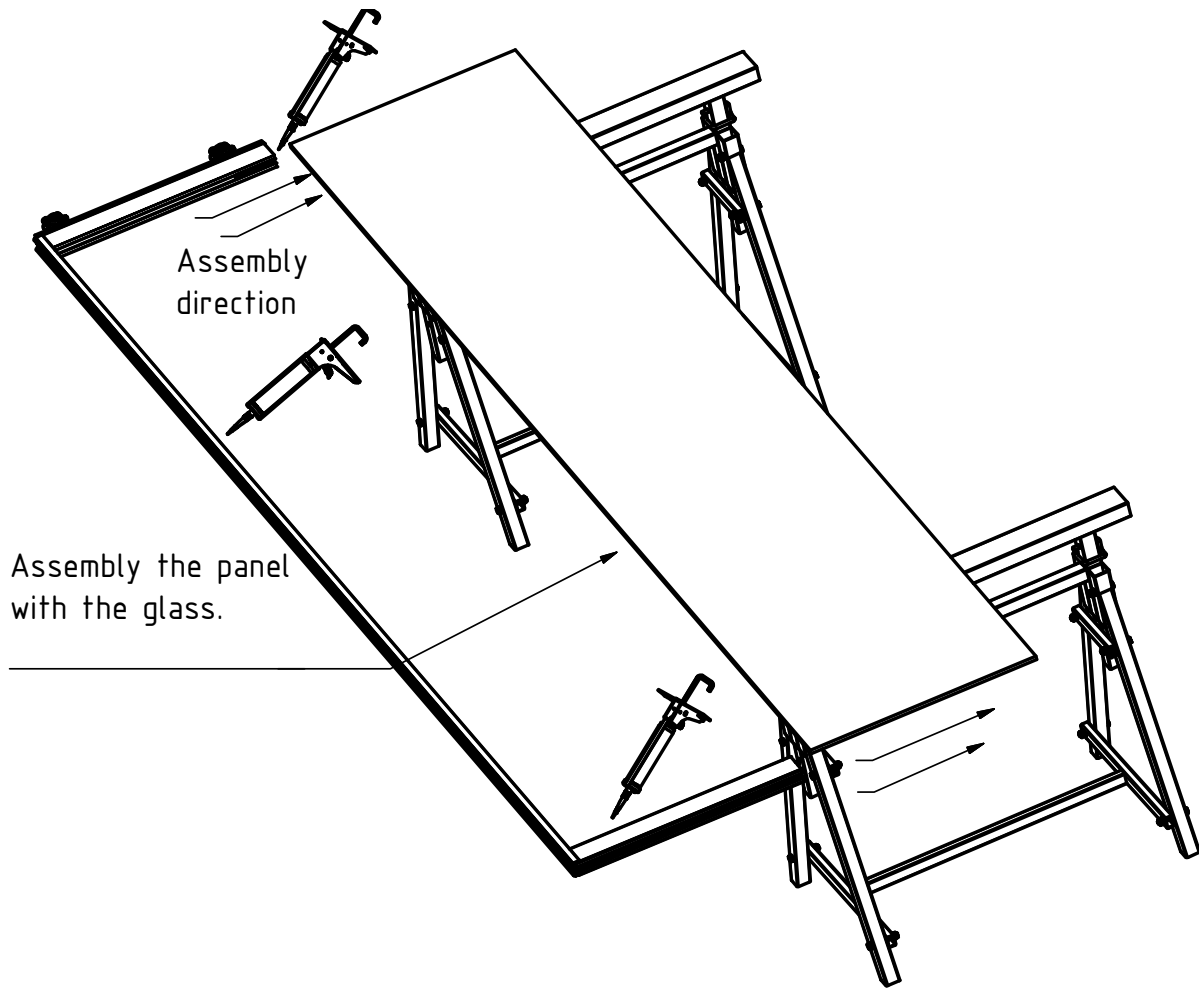
Assembly the side panel with the upper panel.



STEP-5:
 Assembly the lower panel with the side panel.

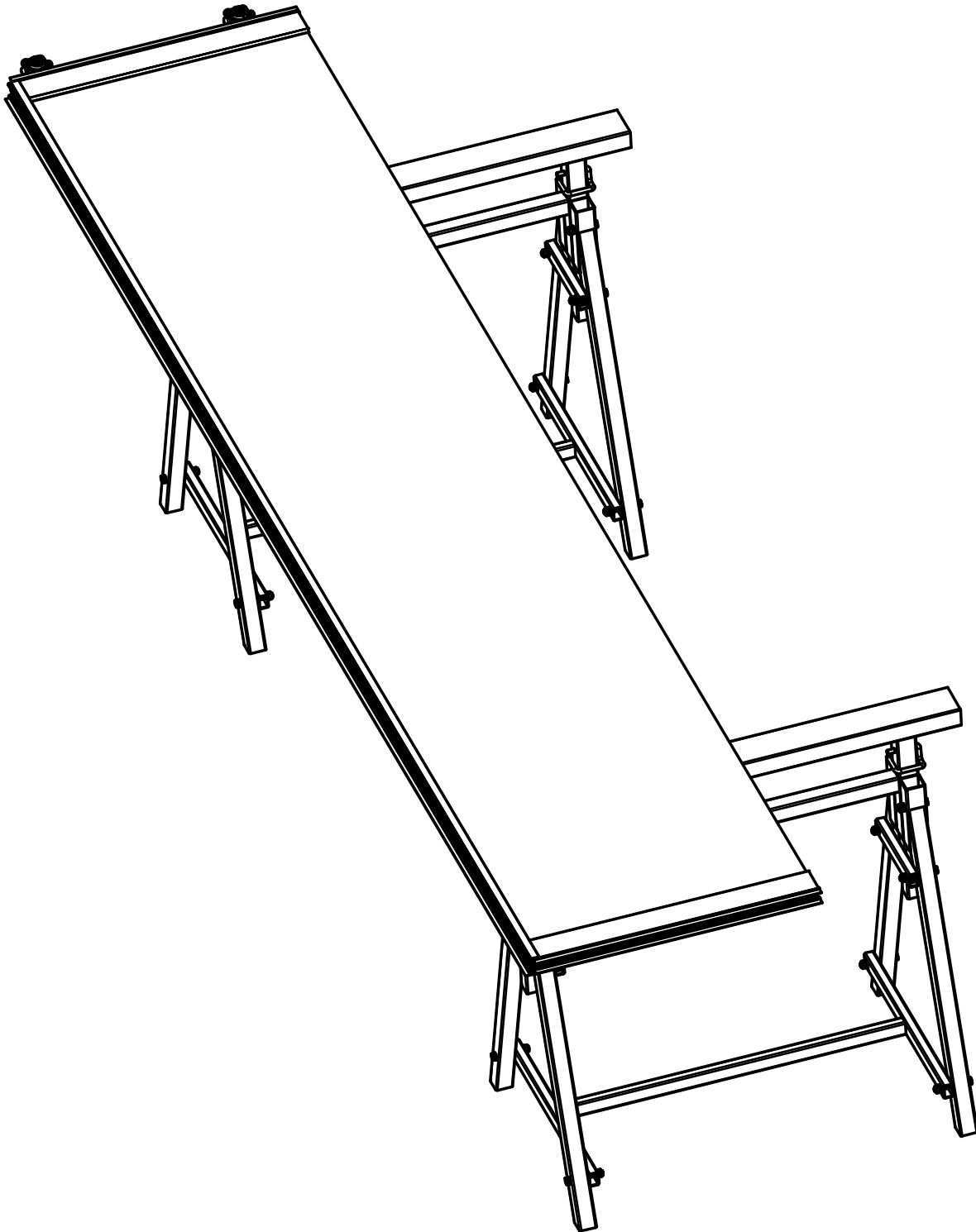
**STEP-6:**

Put at the bottom panel-A two (2) plastic spacers of 2mm thickness at the two edges of the panel so that the glass will not touch the aluminum profile.



STEP-7:

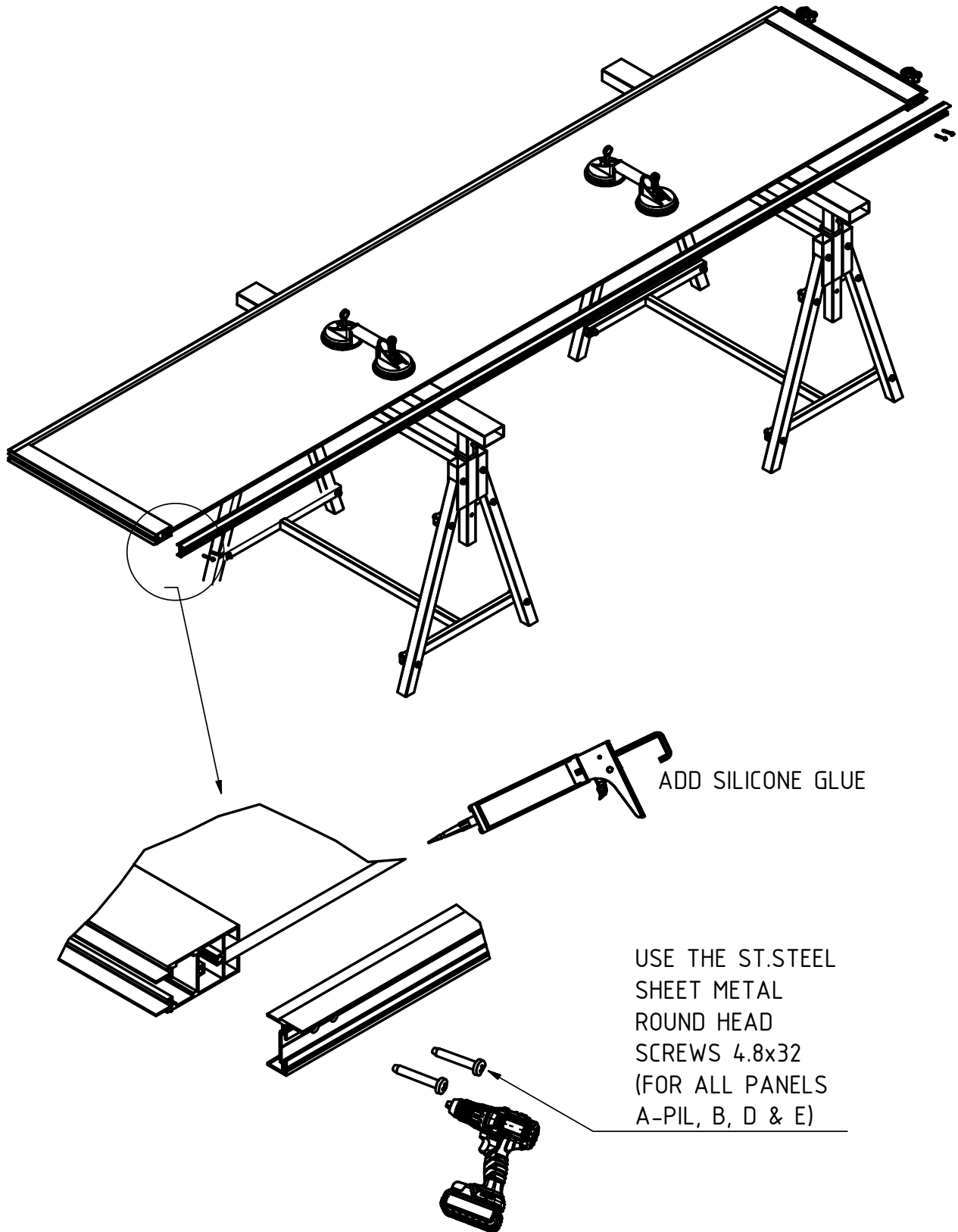
Assembly the panels with the glass.
 Before the assembly silicone glue has to be applied to ALL of the panels.



STEP-8:

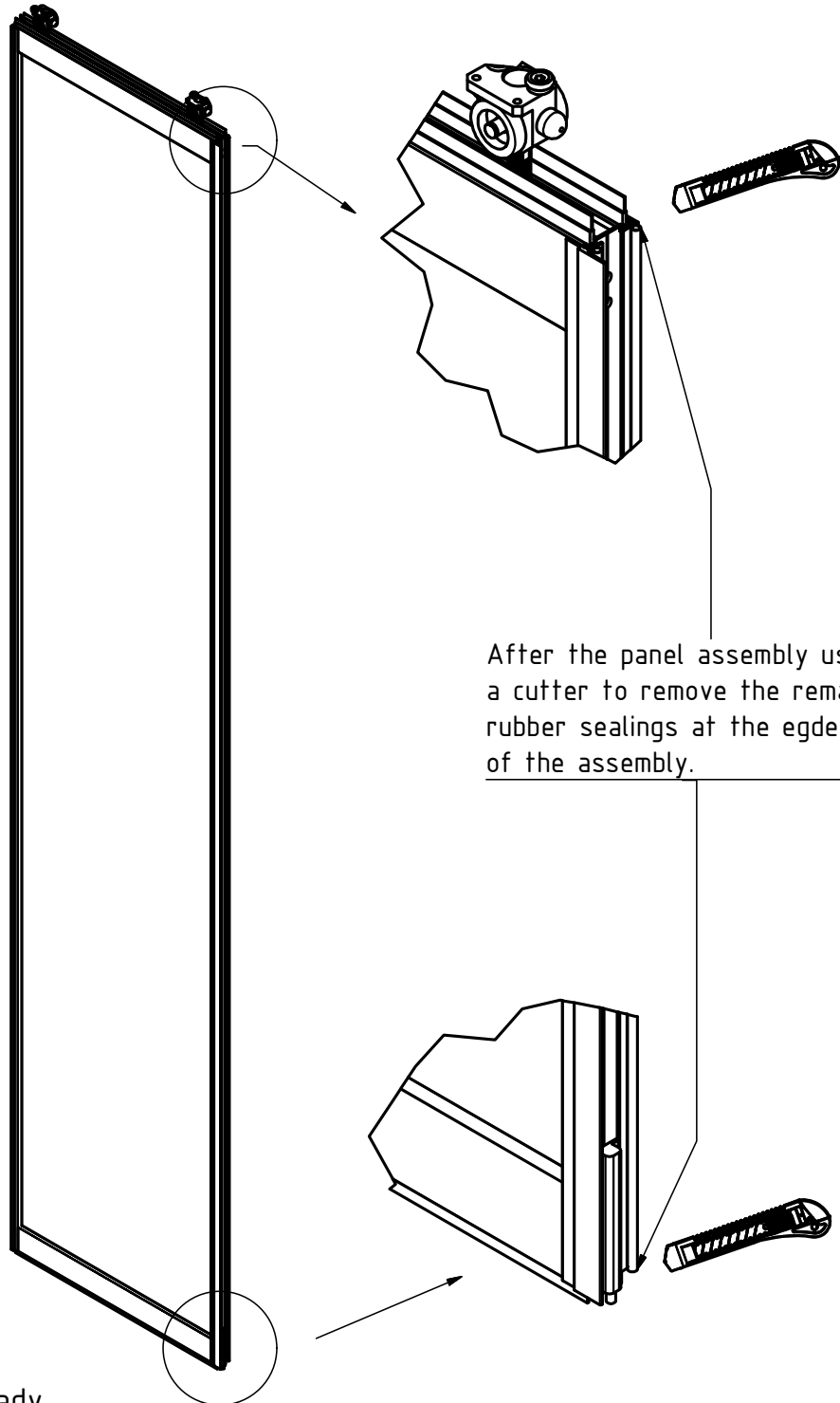
3 Panels are assembled with the glass panel.

IALONET
innovative glass system



STEP-9:

Assembly the side panel with the glass and the other panels.



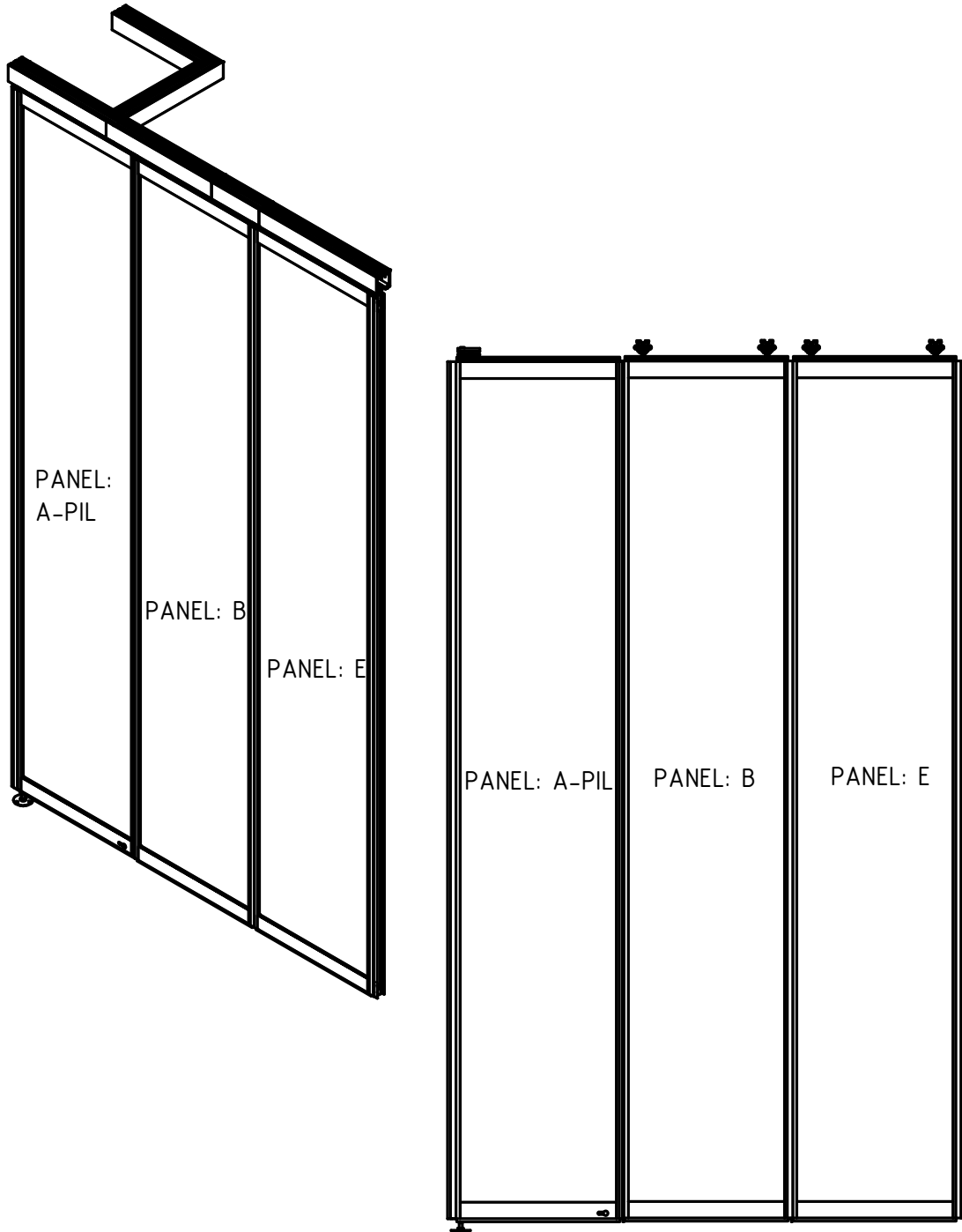
After the panel assembly use a cutter to remove the remaining rubber sealings at the edge of the assembly.

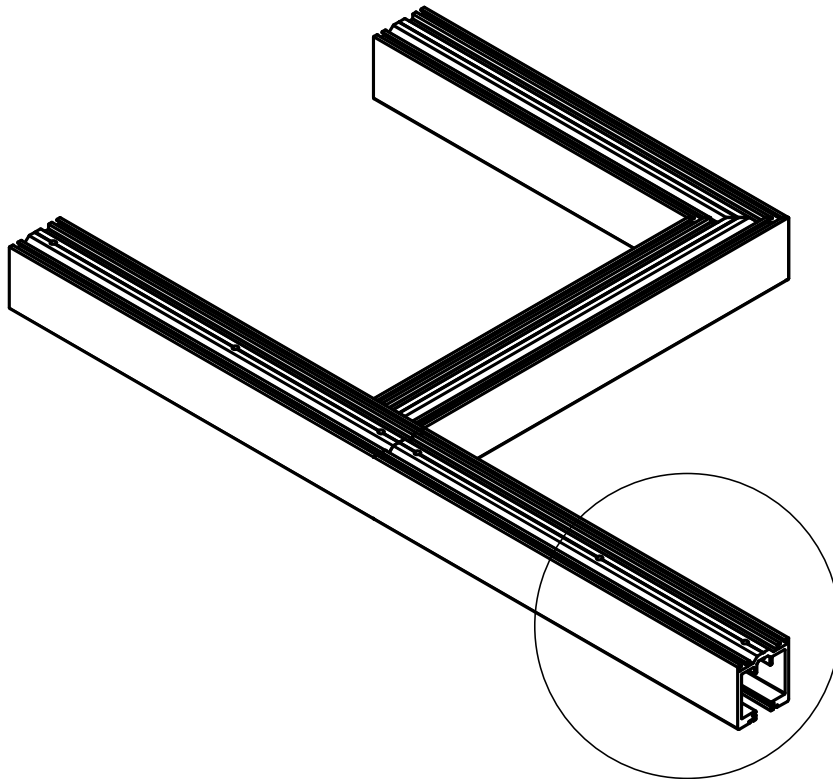
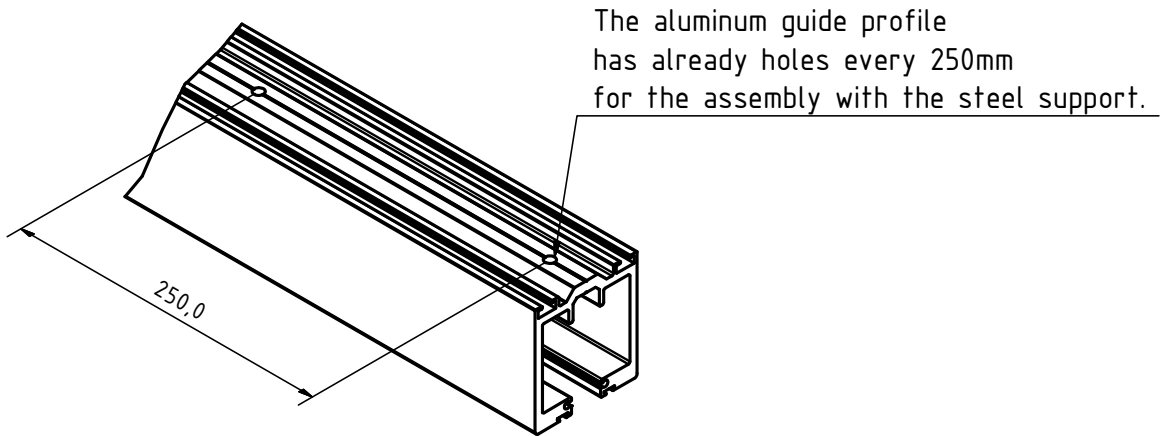
STEP-10:

Panel is ready.

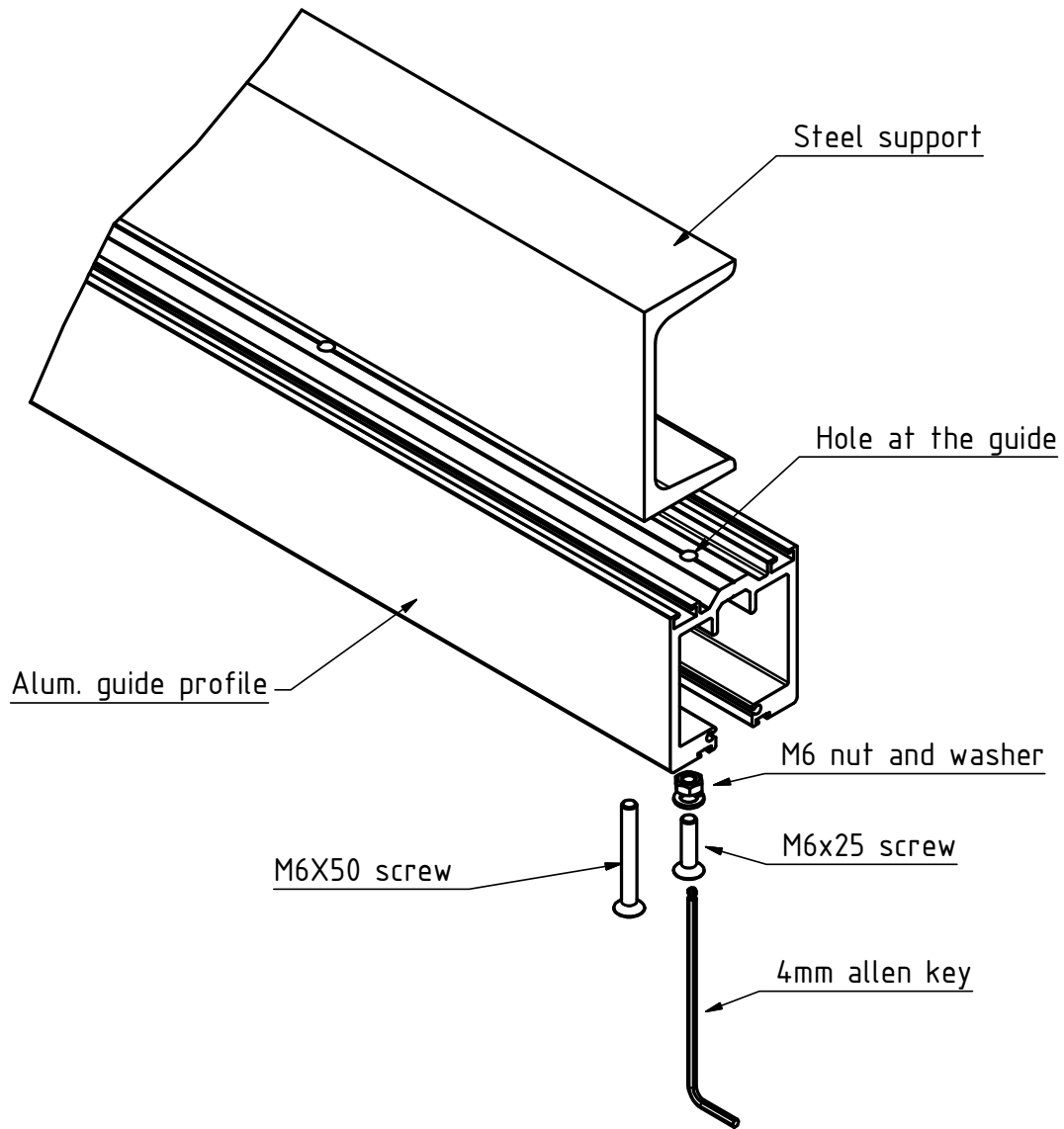
Please notice that the panel with the glue has to rest for 24 hours before the final assembly of the system to the project area.

SYSTEM INSTALLATION





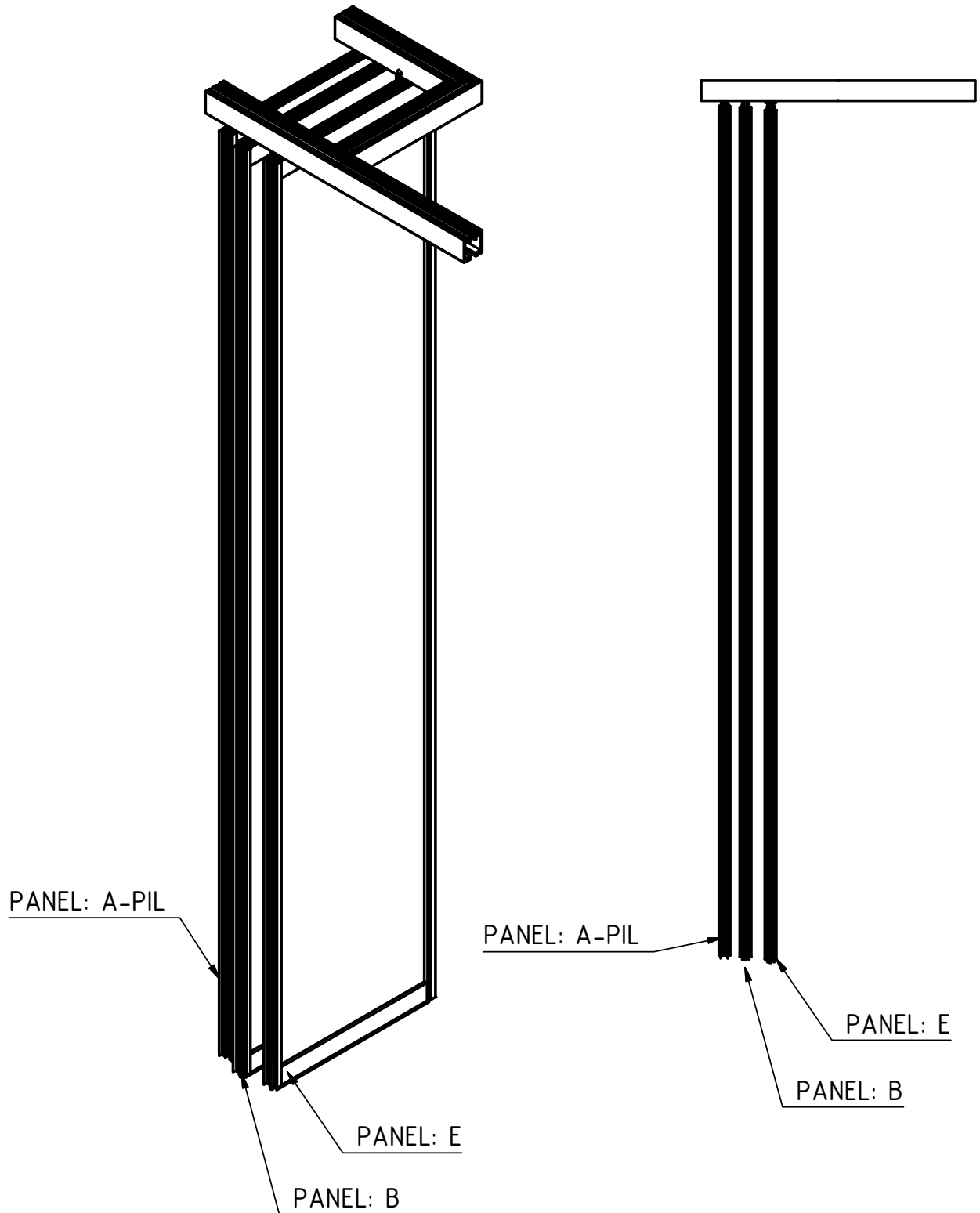
STEP-1:
Start from the parking construction.
Install the alum. guide at the steel support.



STEP-1B:

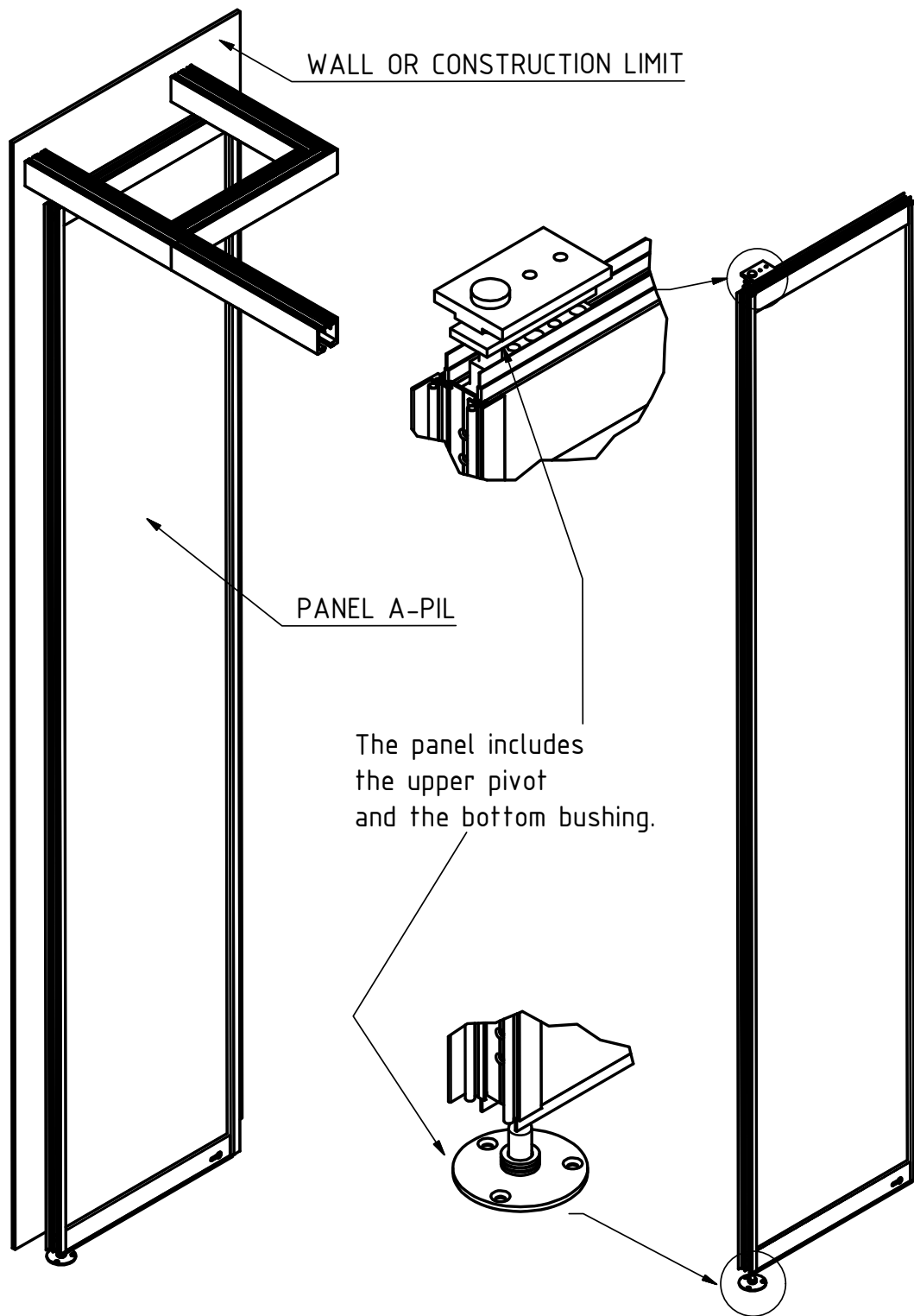
Install the alum. guide at the steel support by using the M6 screw (25 or 50mm) the M6 nut and the washer.

Use a 4mm allen key for the assembly of the screw.

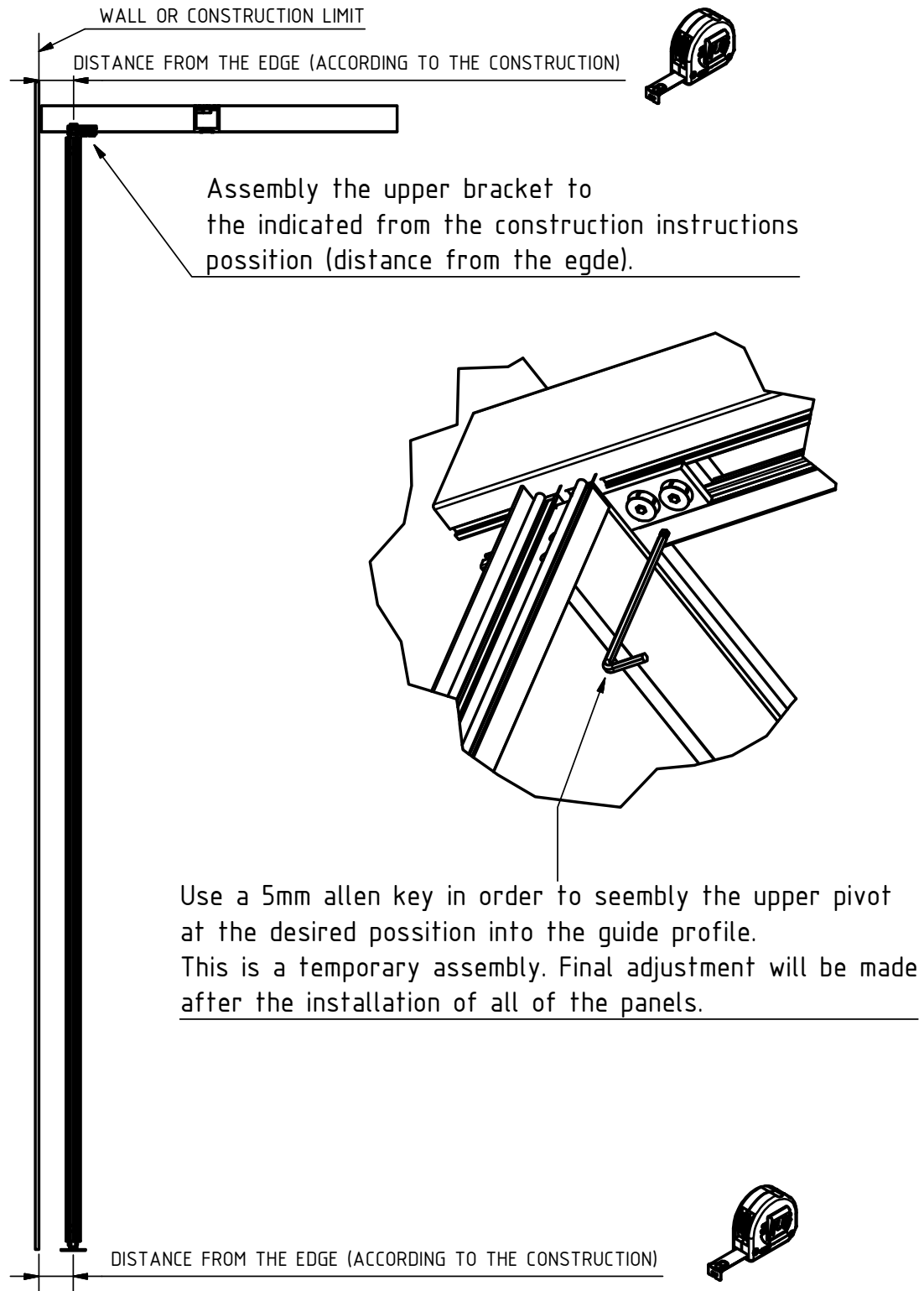


STEP-2:

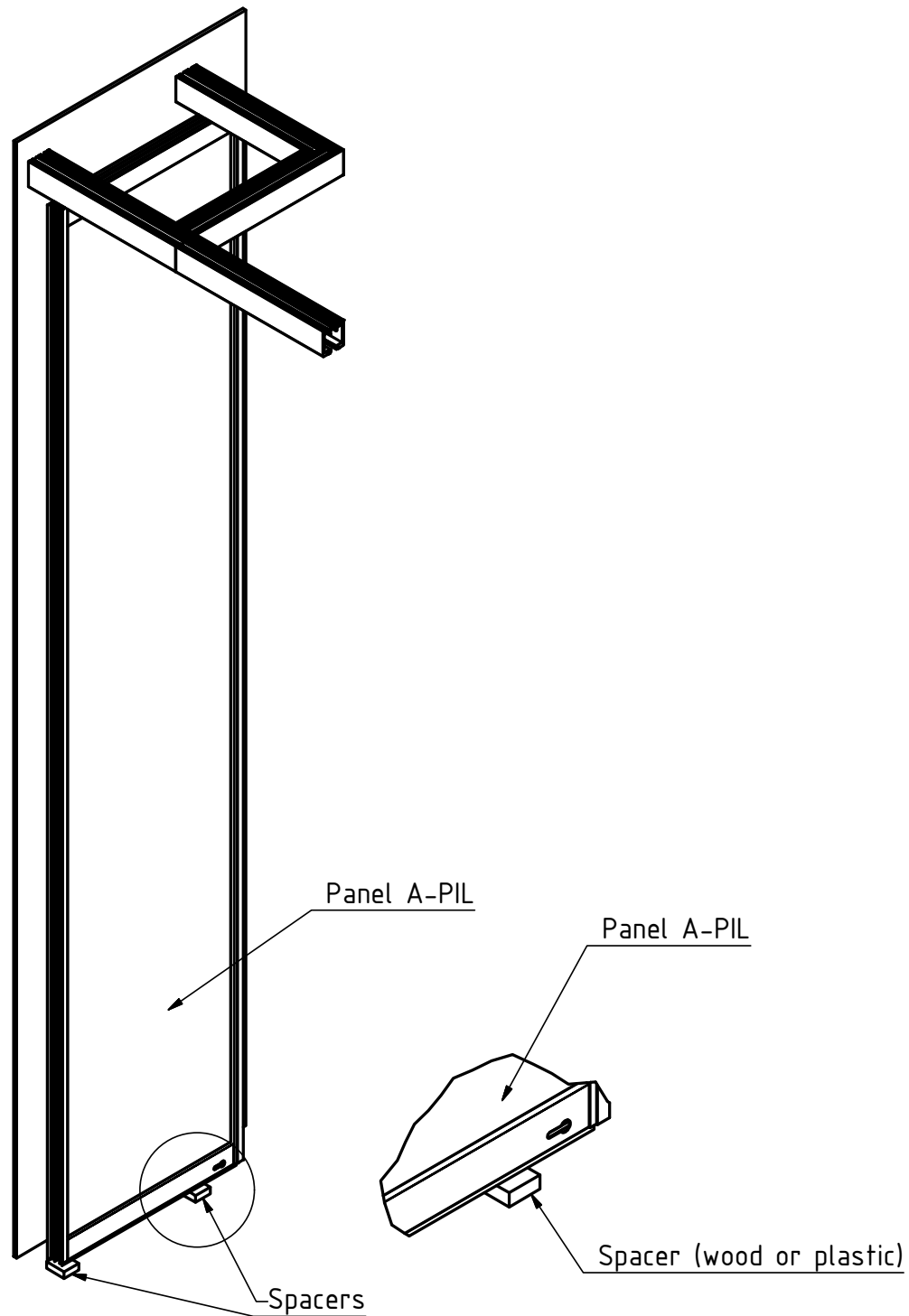
Place the panels into the parking profile area according to the drawing.



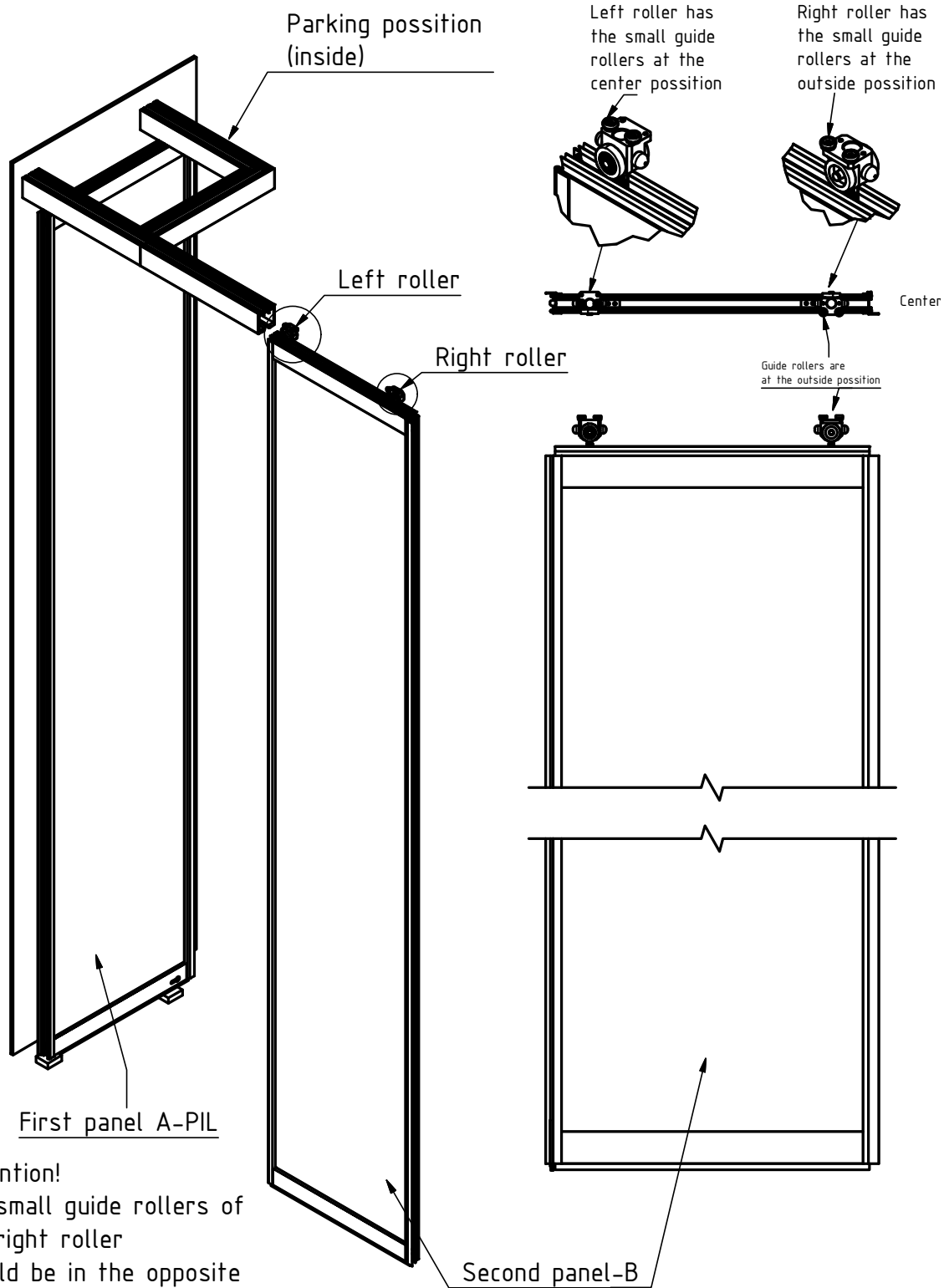
STEP-2B:
Place FIRST the A-PIL panel (DOOR)
into the parking profile.



STEP-2B:
 Place **FIRST** the A-PIL panel (DOOR) into the parking profile. Assembly the upper pivot.

**STEP-2C:**

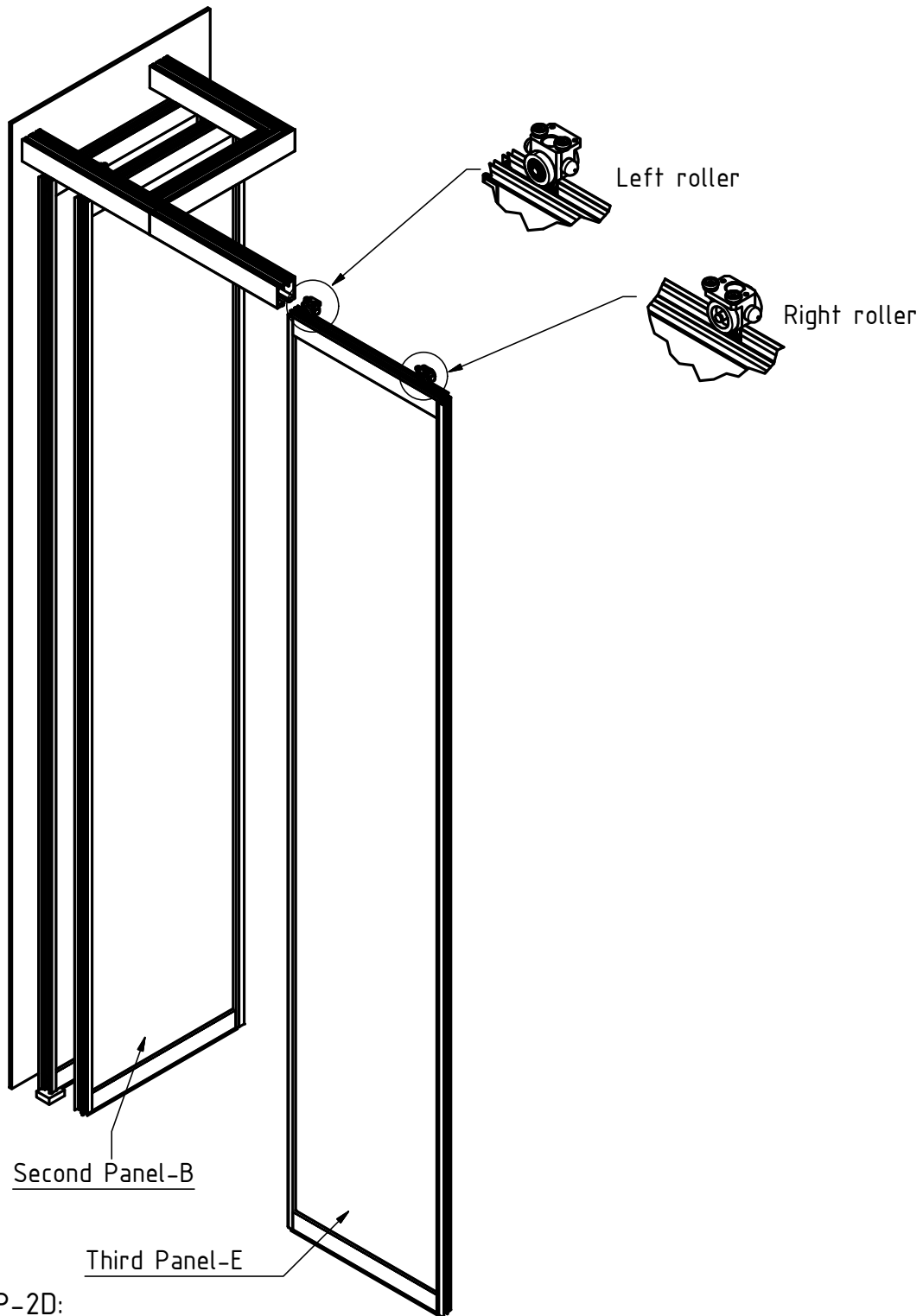
Place **FIRST** the A-PIL panel (DOOR) into the parking profile.
Fix the position of the panel by using two (2) spacers (~20mm) between the panel and the ground floor so that the panel will not move and will not touch the ground.



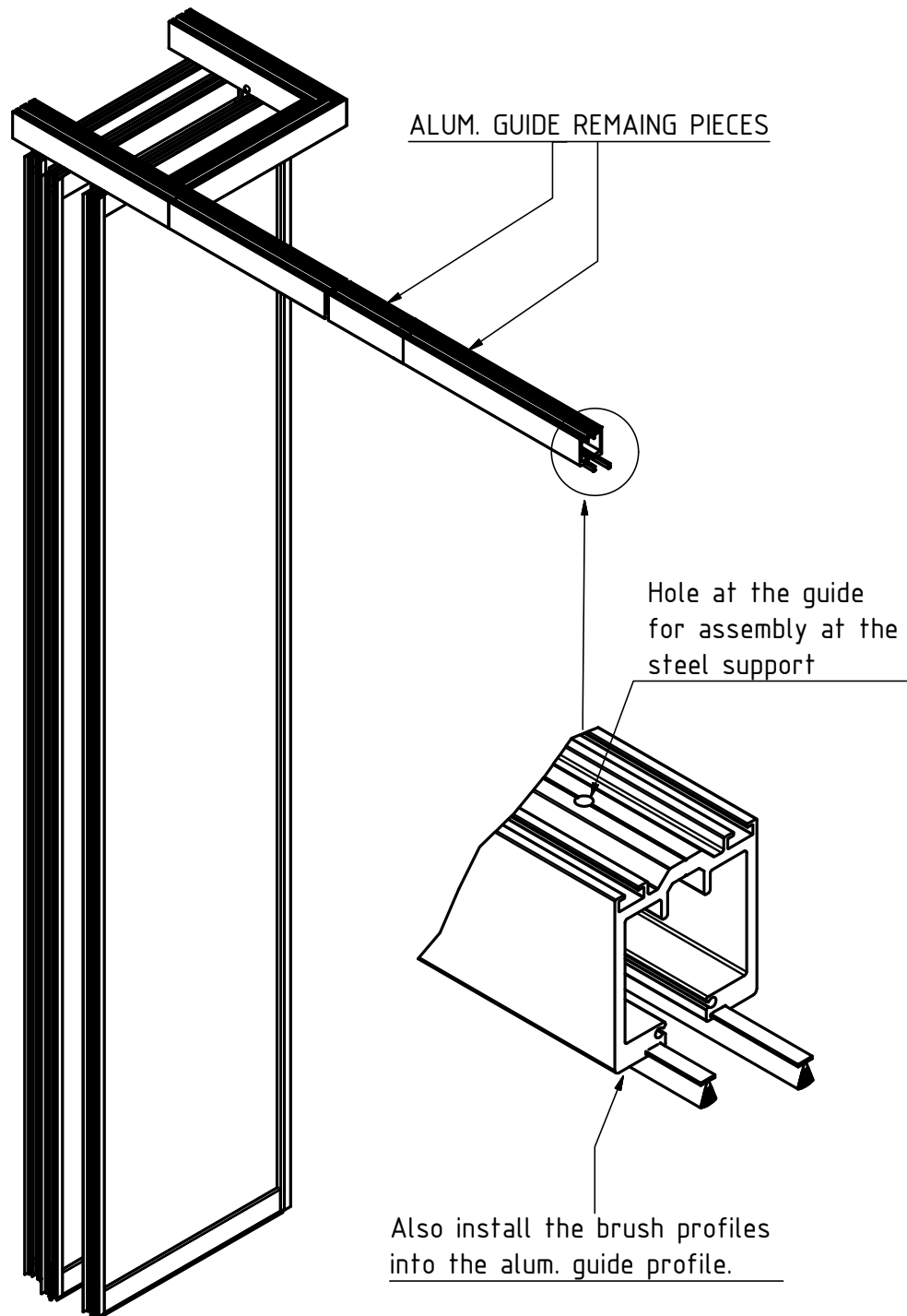
Attention!
the small guide rollers of the right roller should be in the opposite position of the parking.

STEP-2C:

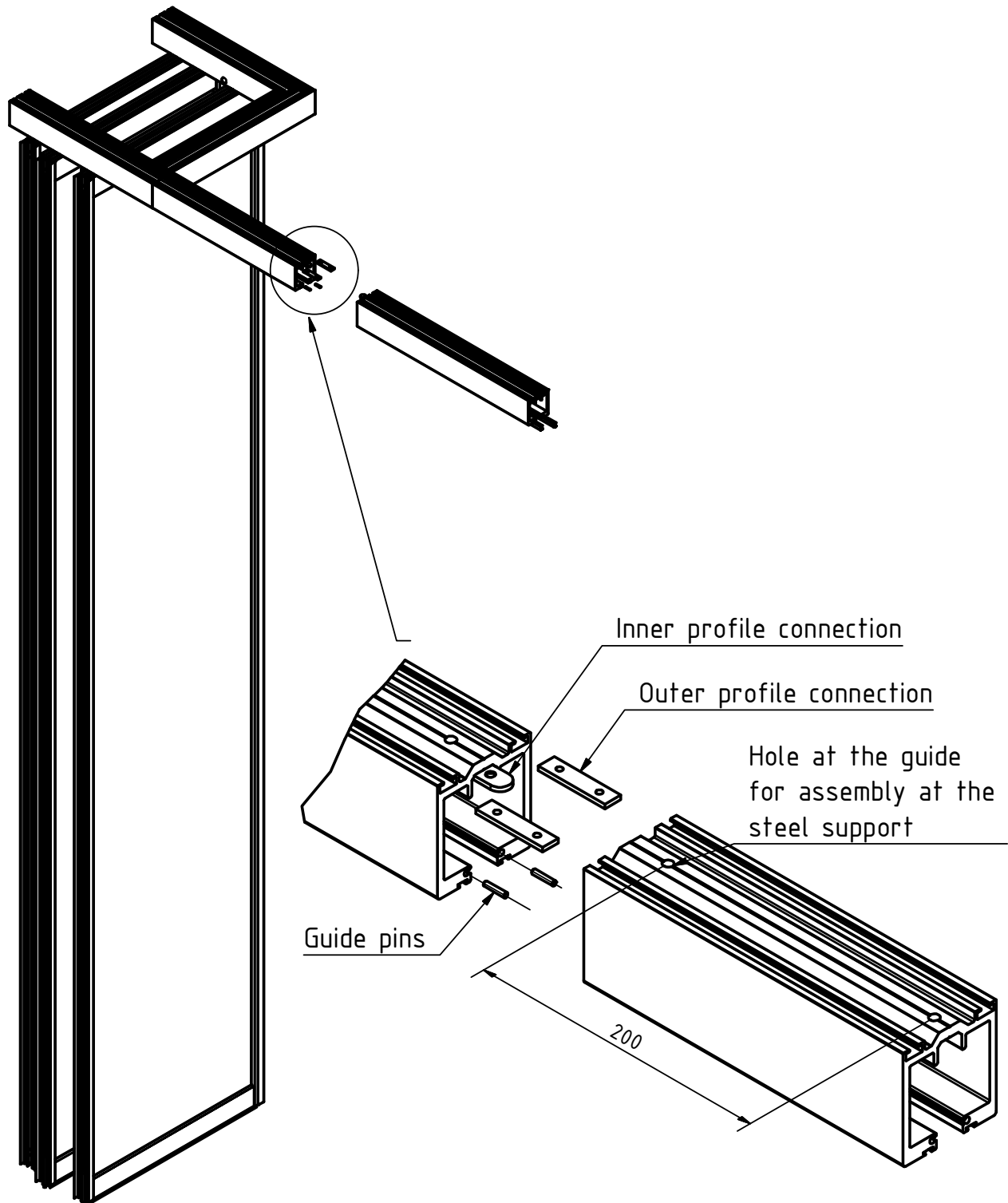
Place the second panel (Panel-B) into the parking profile.

**STEP-2D:**

Move the second panel (Panel-B) into the parking area and then place the third panel (Panel-E) into the parking area.

**STEP-3:**

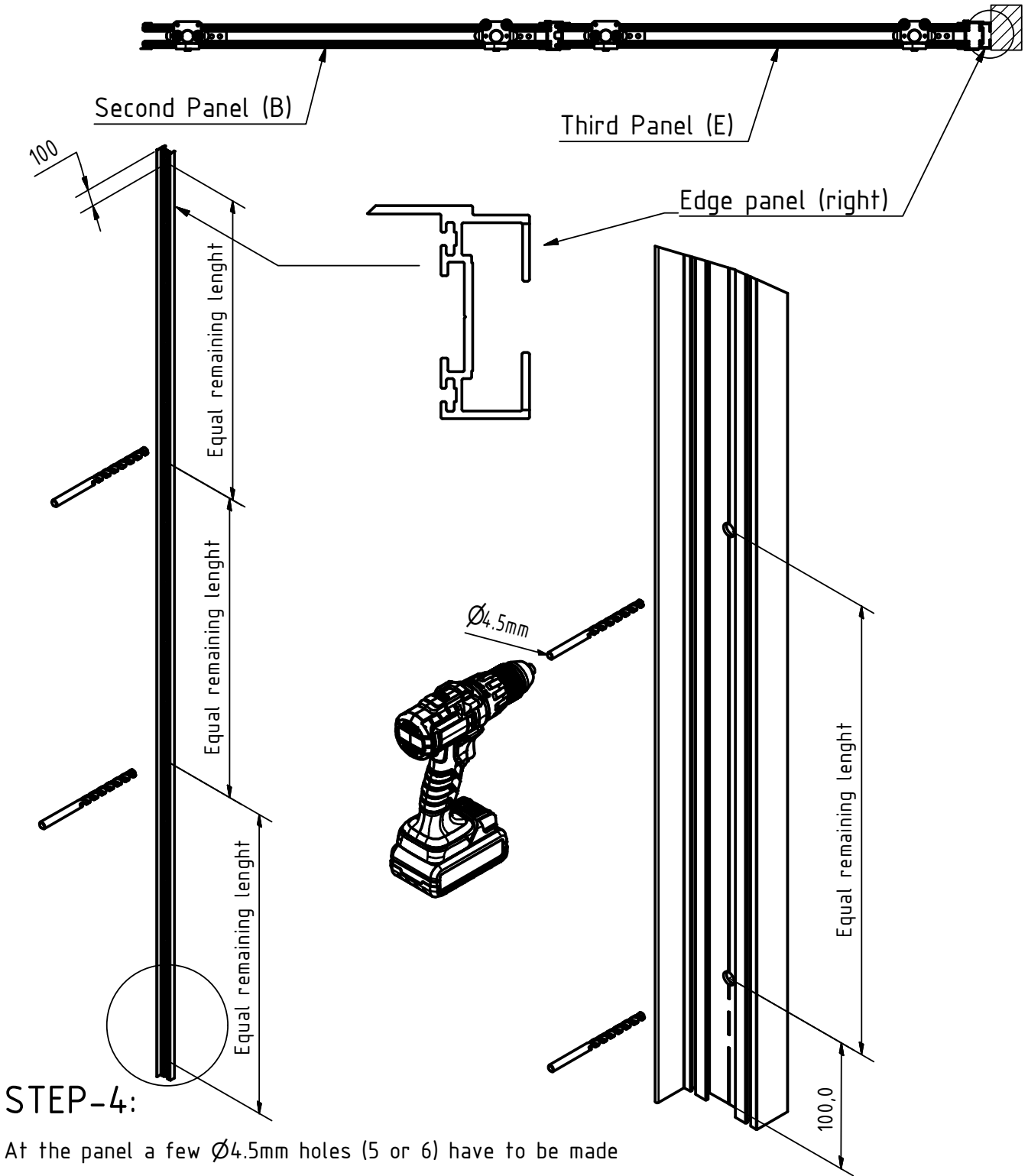
Install the remaining pieces of the alum. guide profile to the steel support construction.



STEP-3B:

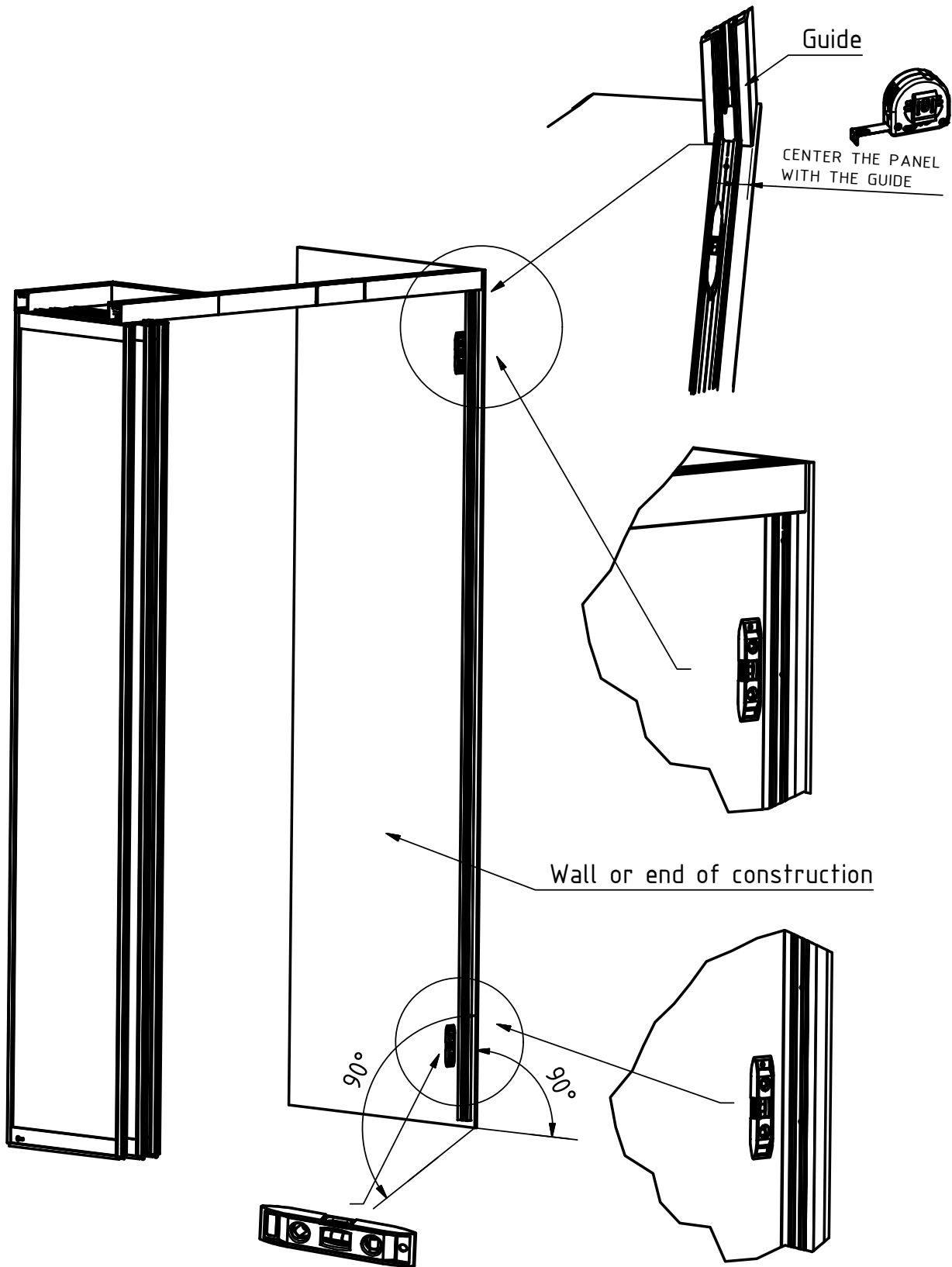
For the connection of the remaining pieces of the alum. guide profile to the parking guide profile and between them use the above metnioned connection parts.

View from above



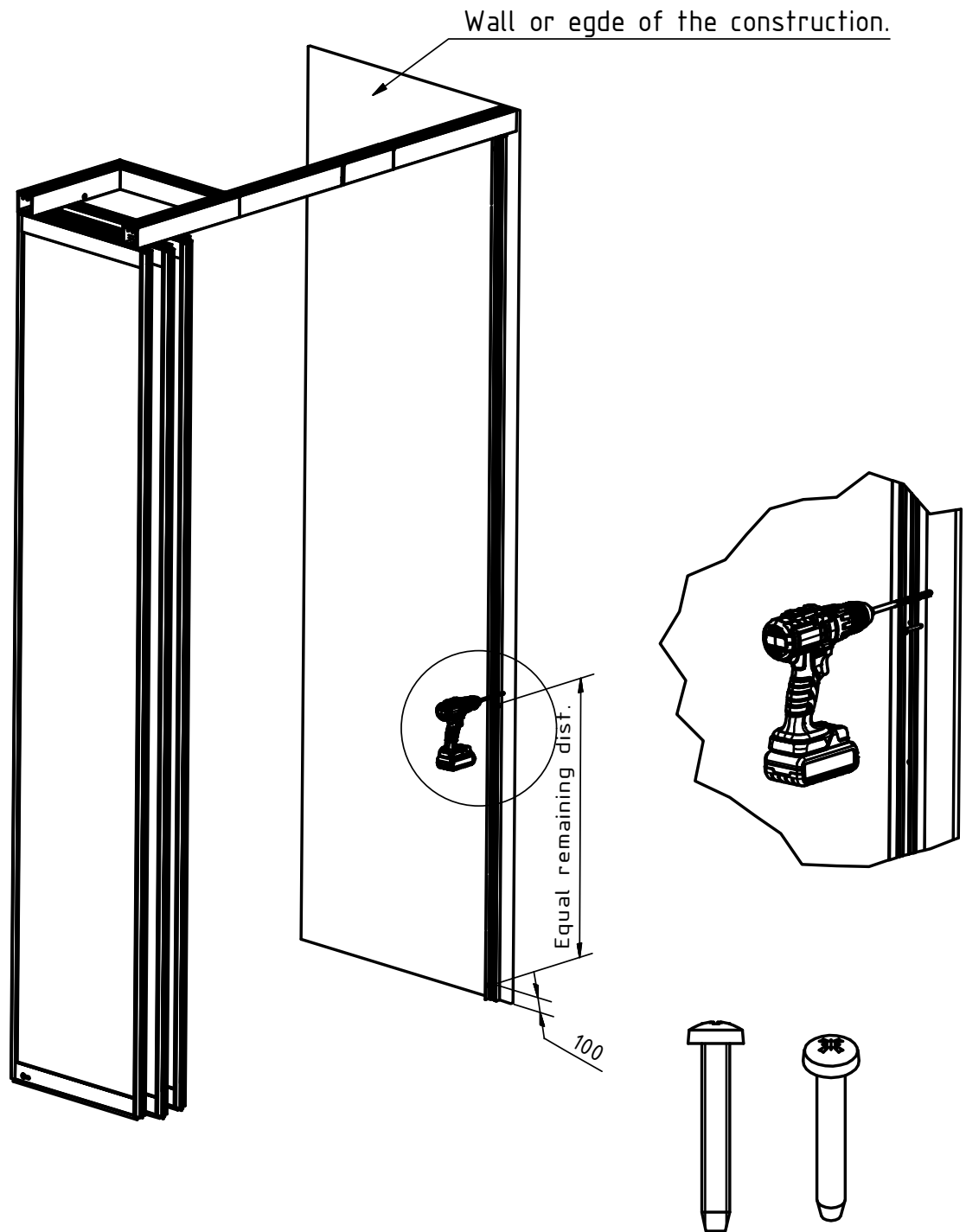
STEP-4:

At the panel a few $\varnothing 4.5\text{mm}$ holes (5 or 6) have to be made in order to place it at the wall or at the construction edge. Two holes have to be made at 100mm from the edge and the rest three or four every at equal distance of the remaining length of the panel.



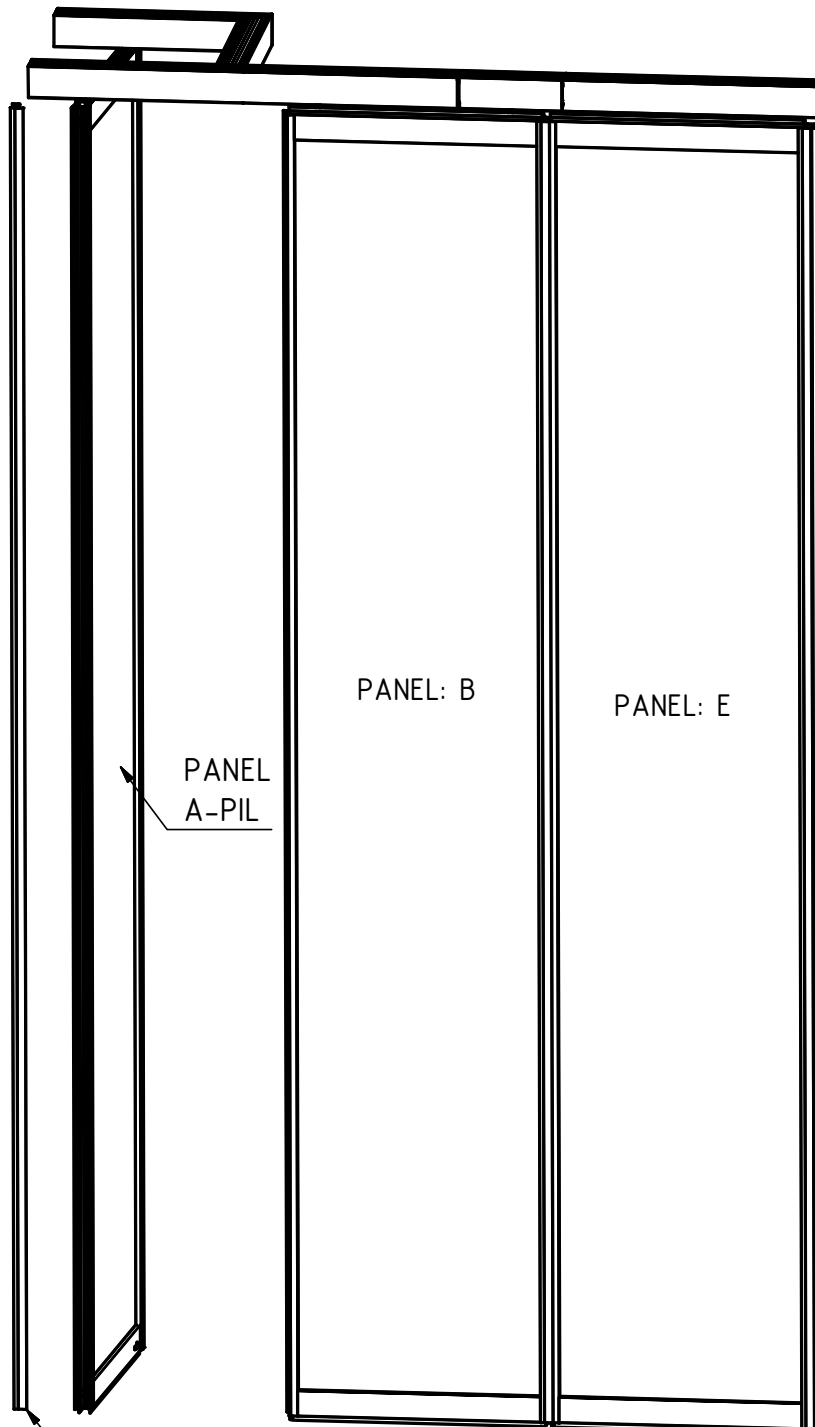
STEP-4B:

Instal at the wall the right alum. profile (for panel E). Check the leveling of the panel.



STEP-4C:

Instal at the wall the right alum. profile
(for panel E). Use the 4.2x32 screws provided.

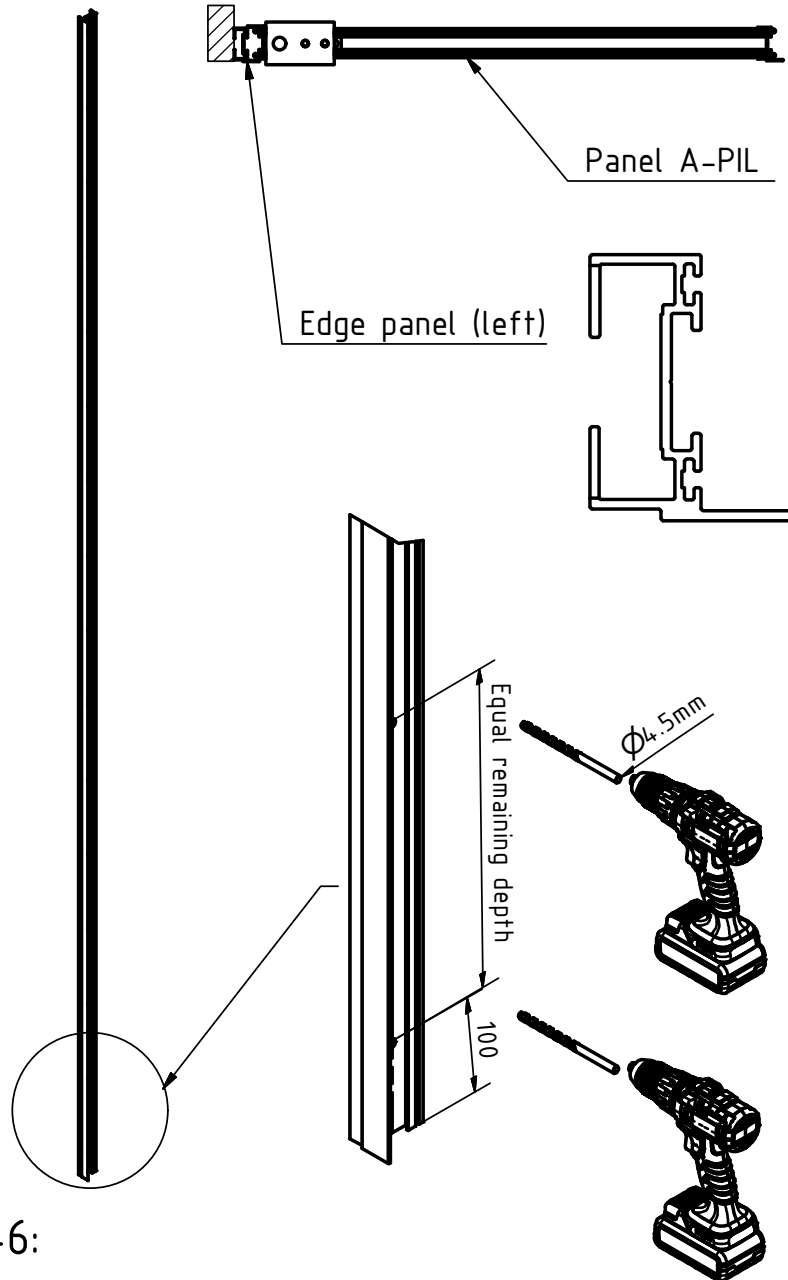


LEFT ALUM. PROFILE - (Edge panel)

STEP-5:

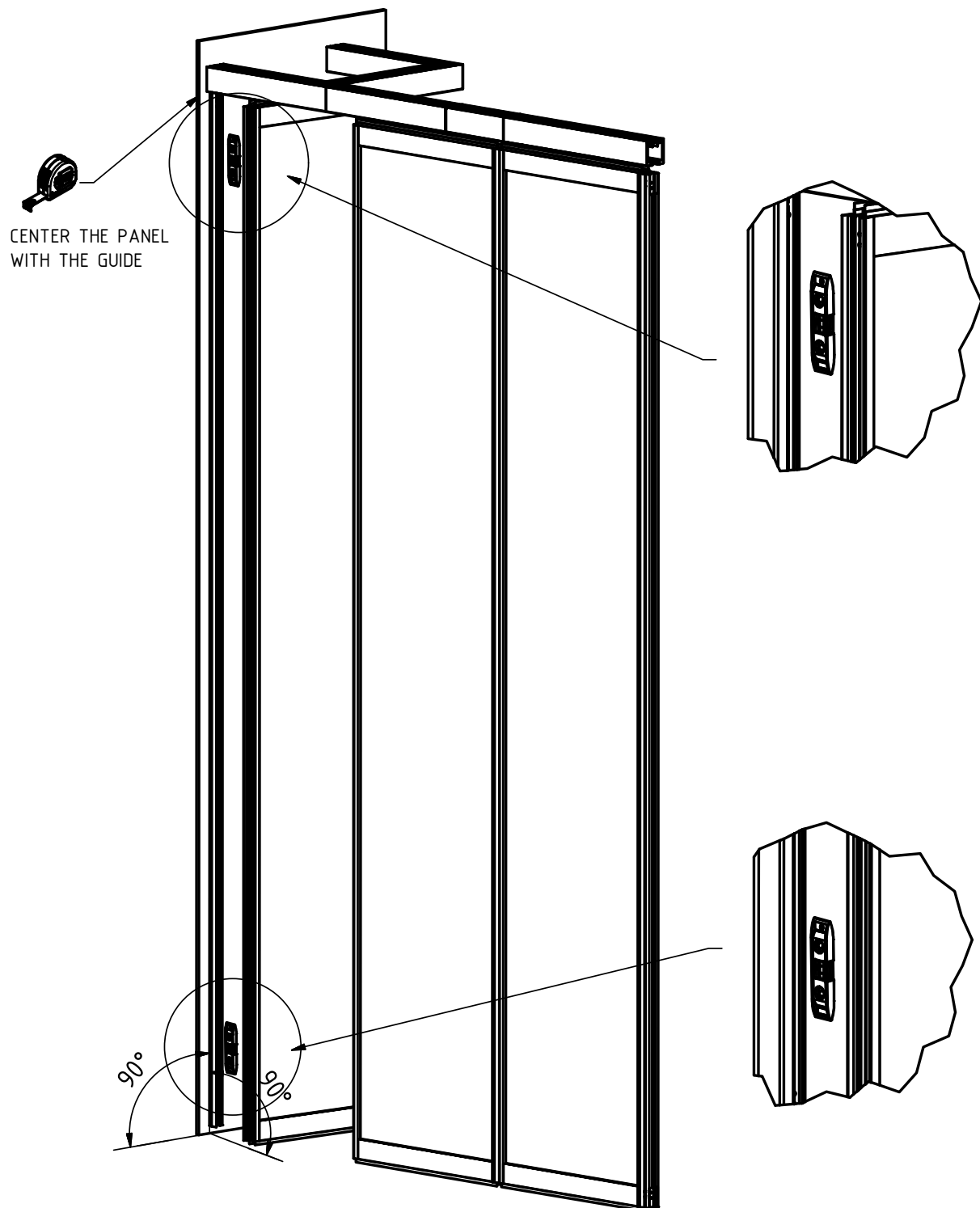
Move the panels B & E at straight position and then move a little the panel A-PIL. Then install at the wall or at the construction edge the left profile for the panel A-PIL.

View from above



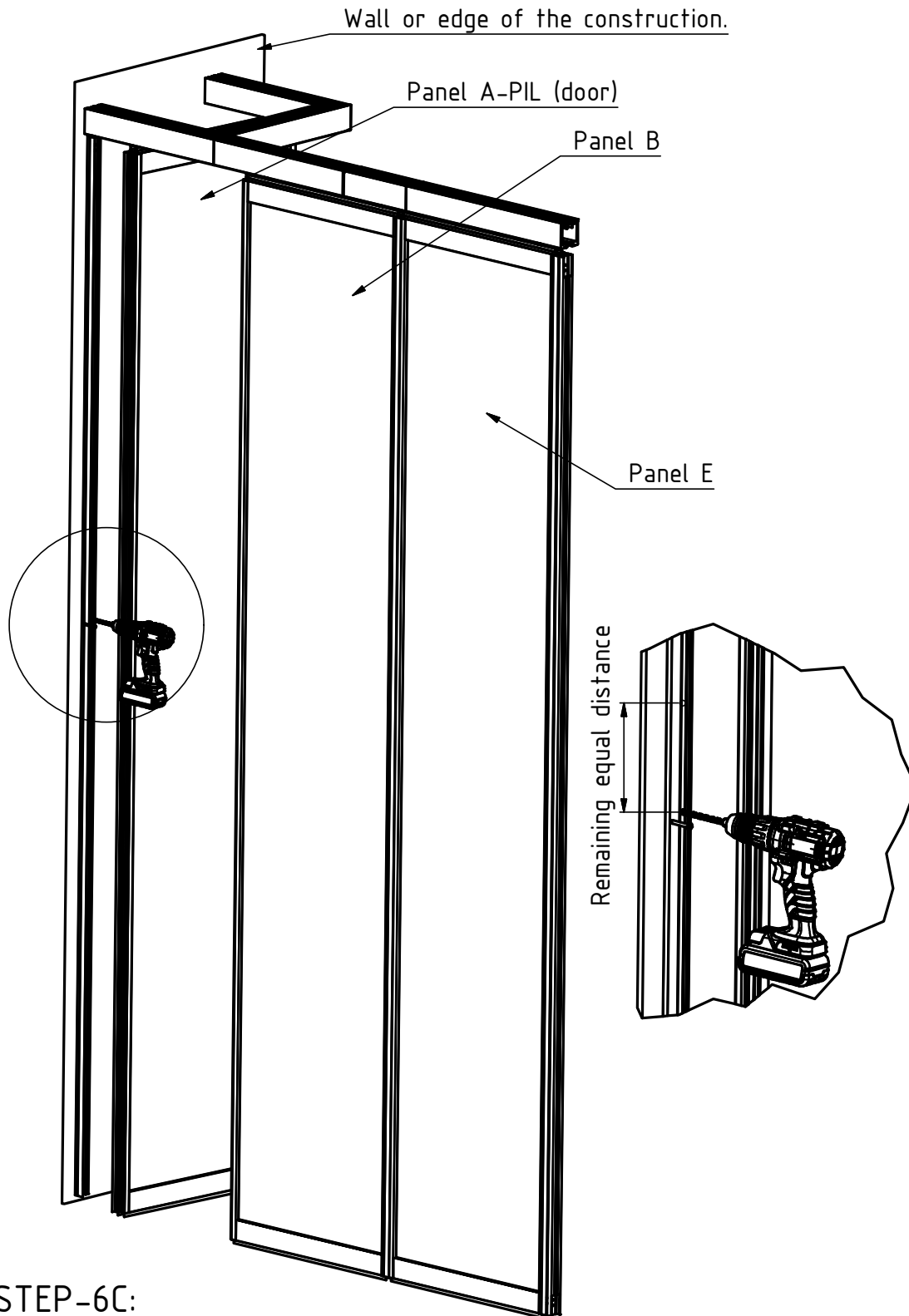
STEP-6:

At the panel a few $\phi 4.5\text{mm}$ holes (5 or 6) have to be made in order to place it at the wall or at the construction edge. Two holes have to be made at 100mm from the edge and the rest three or four every at equal distance of the remaining length of the panel. Same like the STEP-4



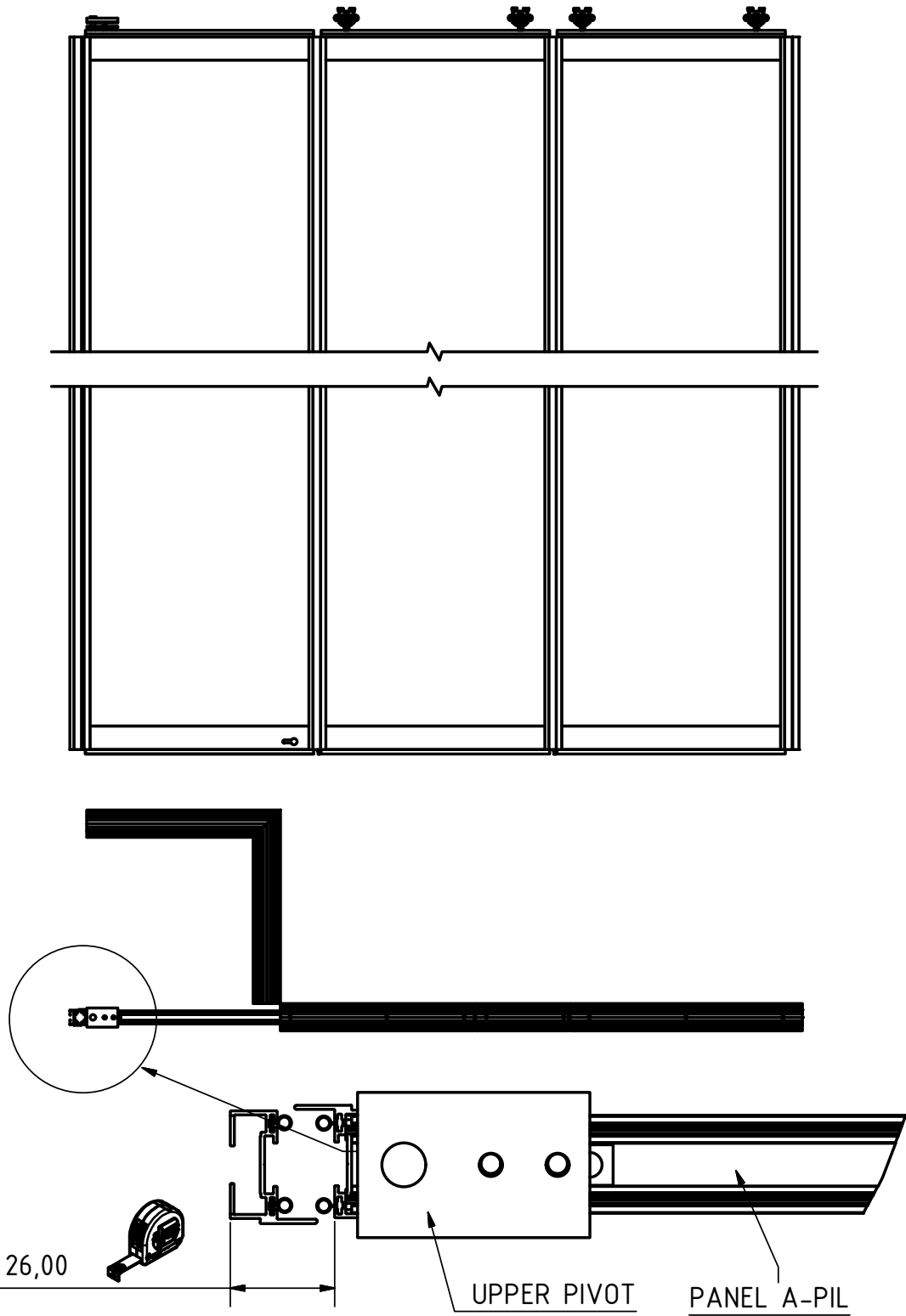
STEP-6B:

Instal at the wall the left alum. profile (for panel A-PIL).
Adjust the panel leveling. Just like STEP-4B



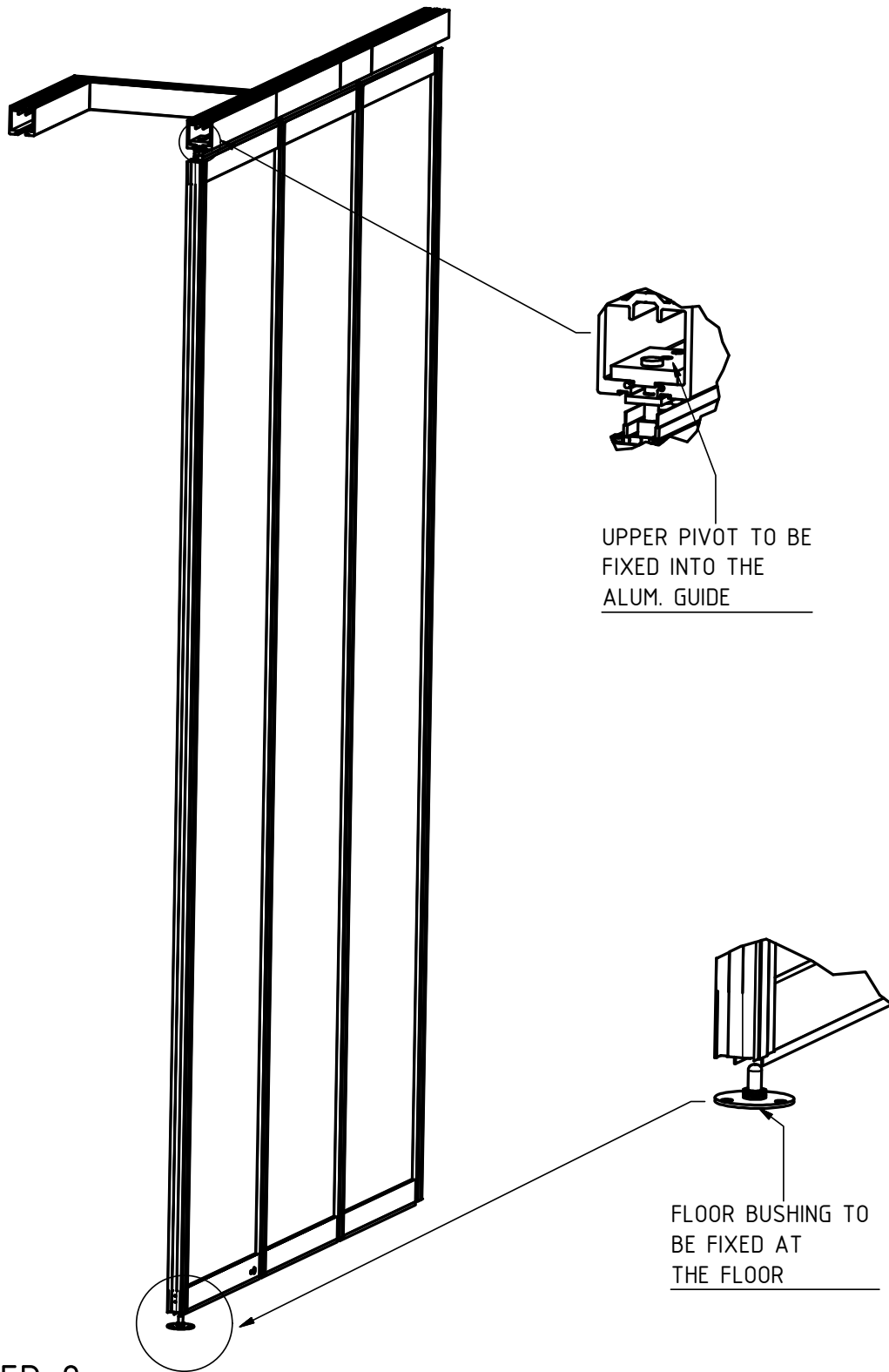
STEP-6C:

Instal at the wall the left alum. profile (for panel A-PIL).
Use the 4.2x32 screws provided. Just like STEP-4C



STEP-7:

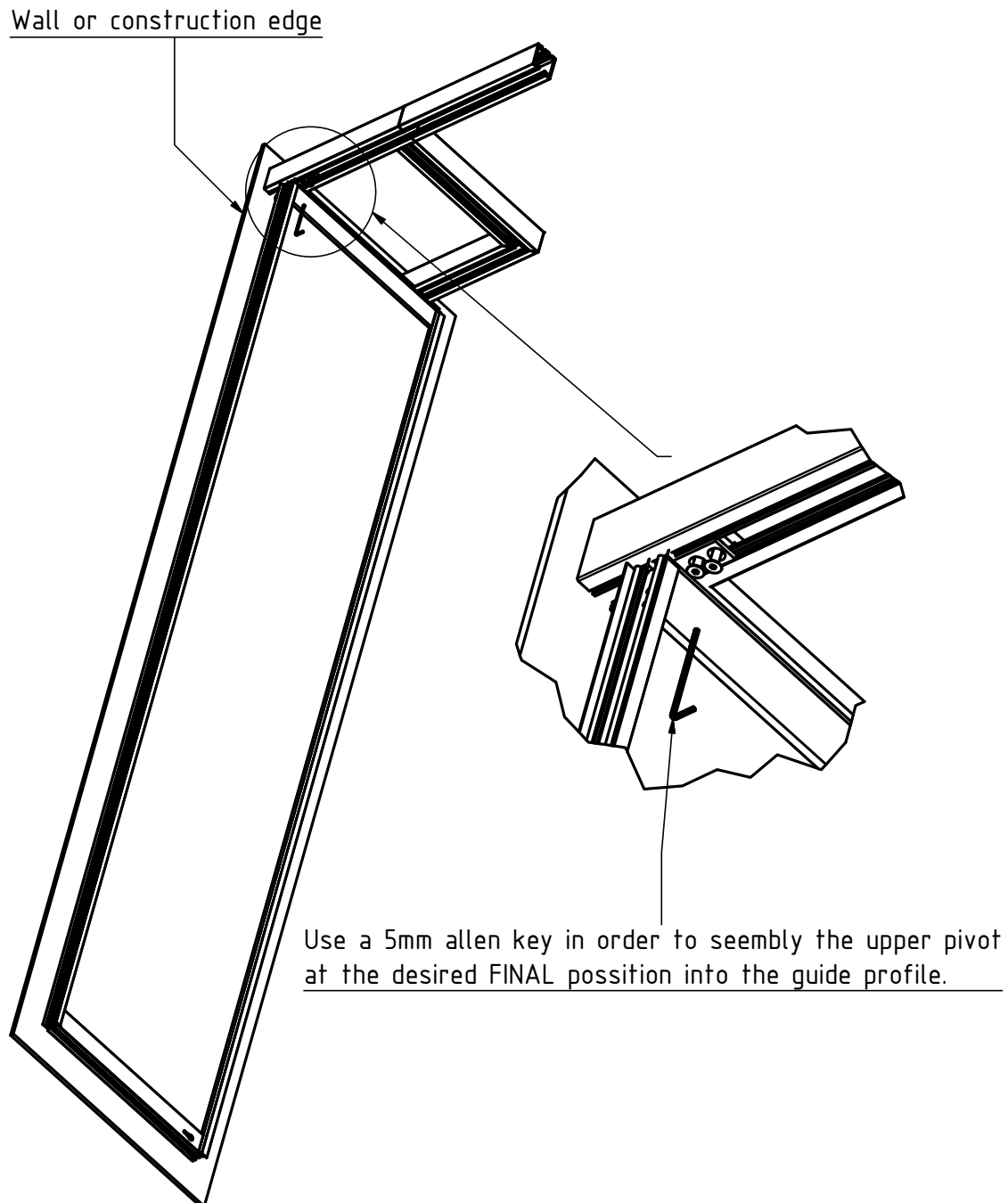
Measure a distance of 26mm from the wall until the profile of the first panel A-PIL



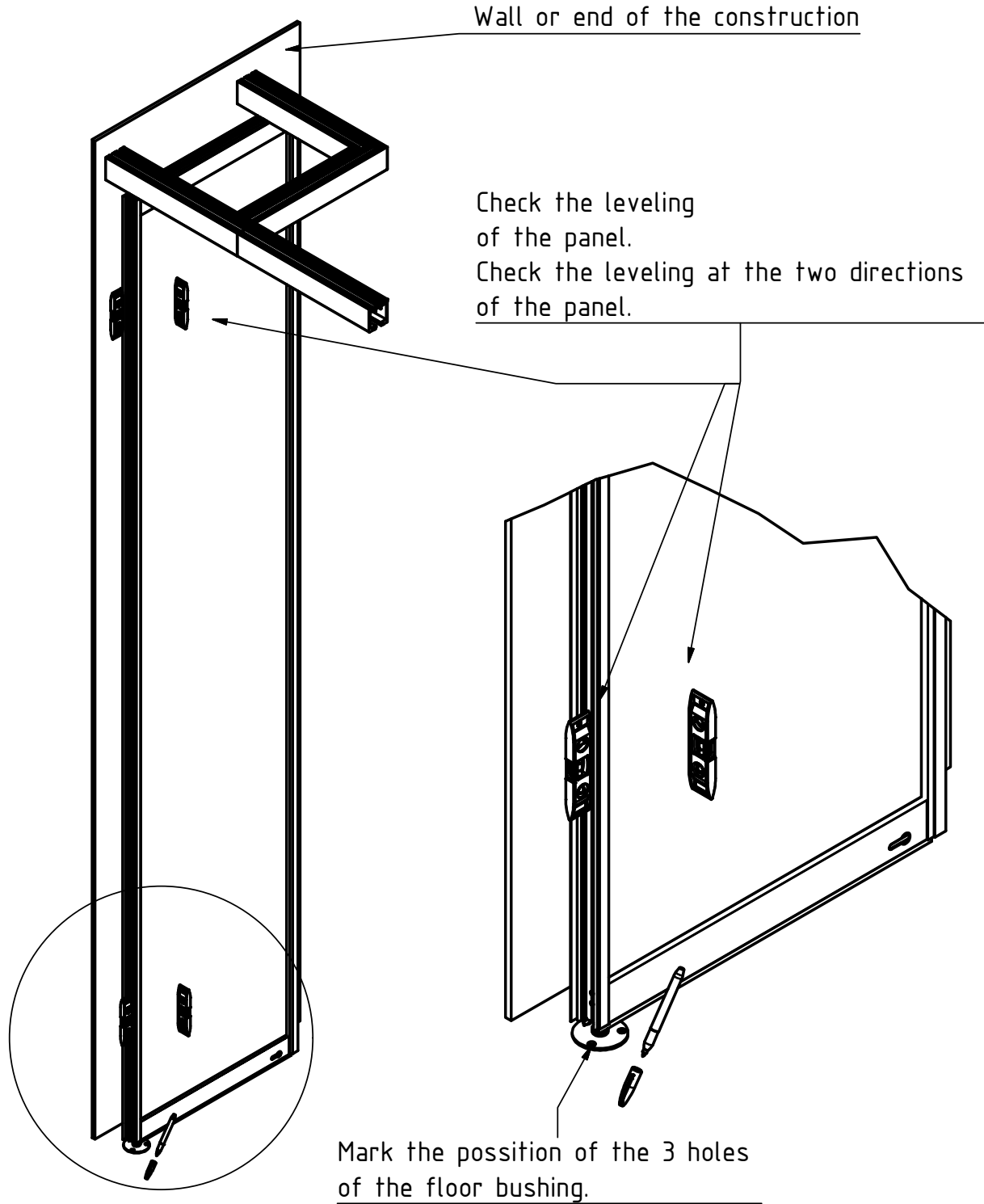
UPPER PIVOT TO BE
FIXED INTO THE
ALUM. GUIDE

FLOOR BUSHING TO
BE FIXED AT
THE FLOOR

STEP-8:
Assembly at the specific position (26mm)
the upper pivot and the bottom bushing.

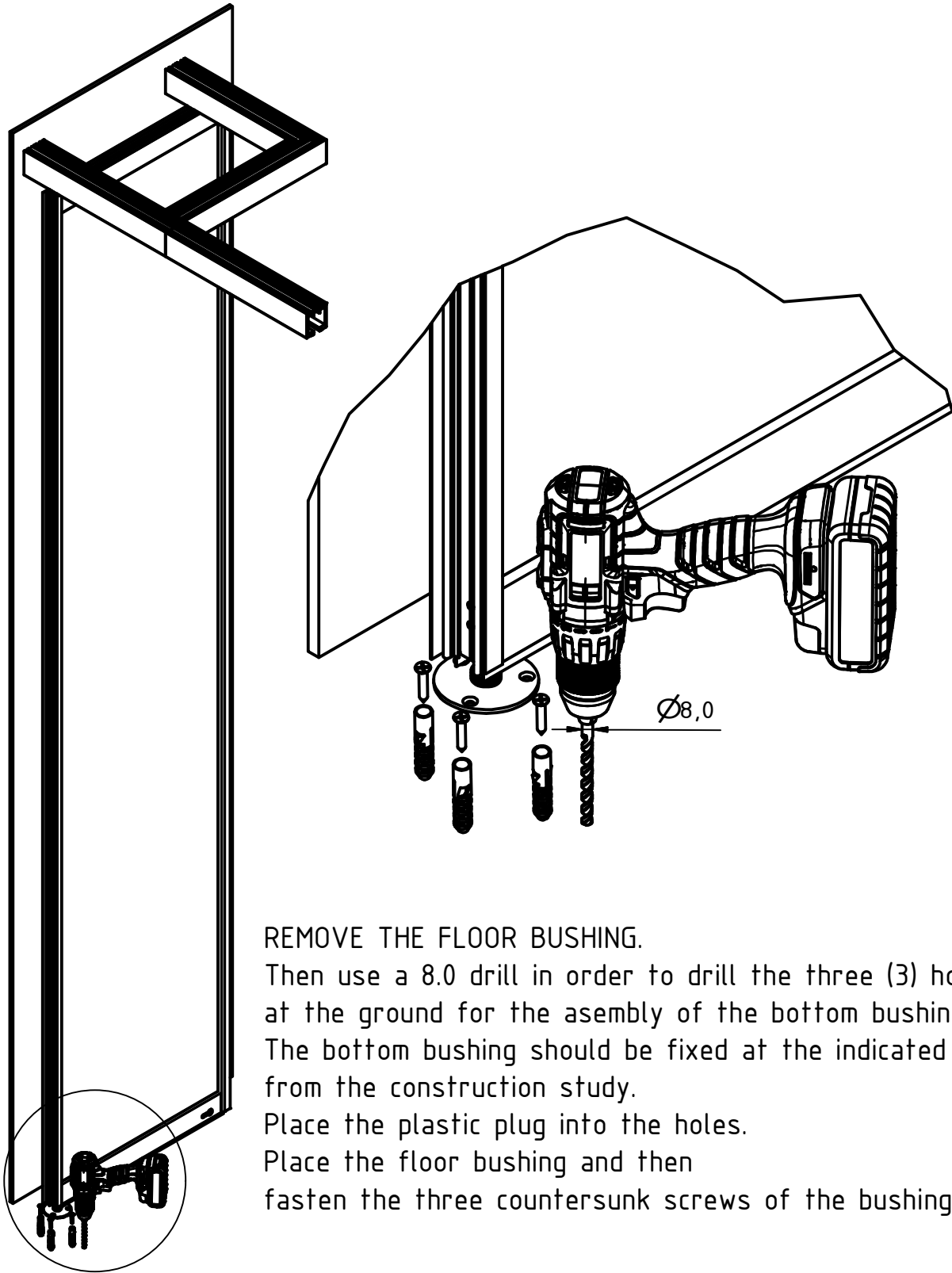


STEP-8B:
Fix the upper pivot at the specific possition.
Like STEP-2B.



STEP-8C:

Check the leveling of the panel and mark the position of the holes of the floor bushing.



REMOVE THE FLOOR BUSHING.

Then use a 8.0 drill in order to drill the three (3) holes at the ground for the assembly of the bottom bushing.

The bottom bushing should be fixed at the indicated position from the construction study.

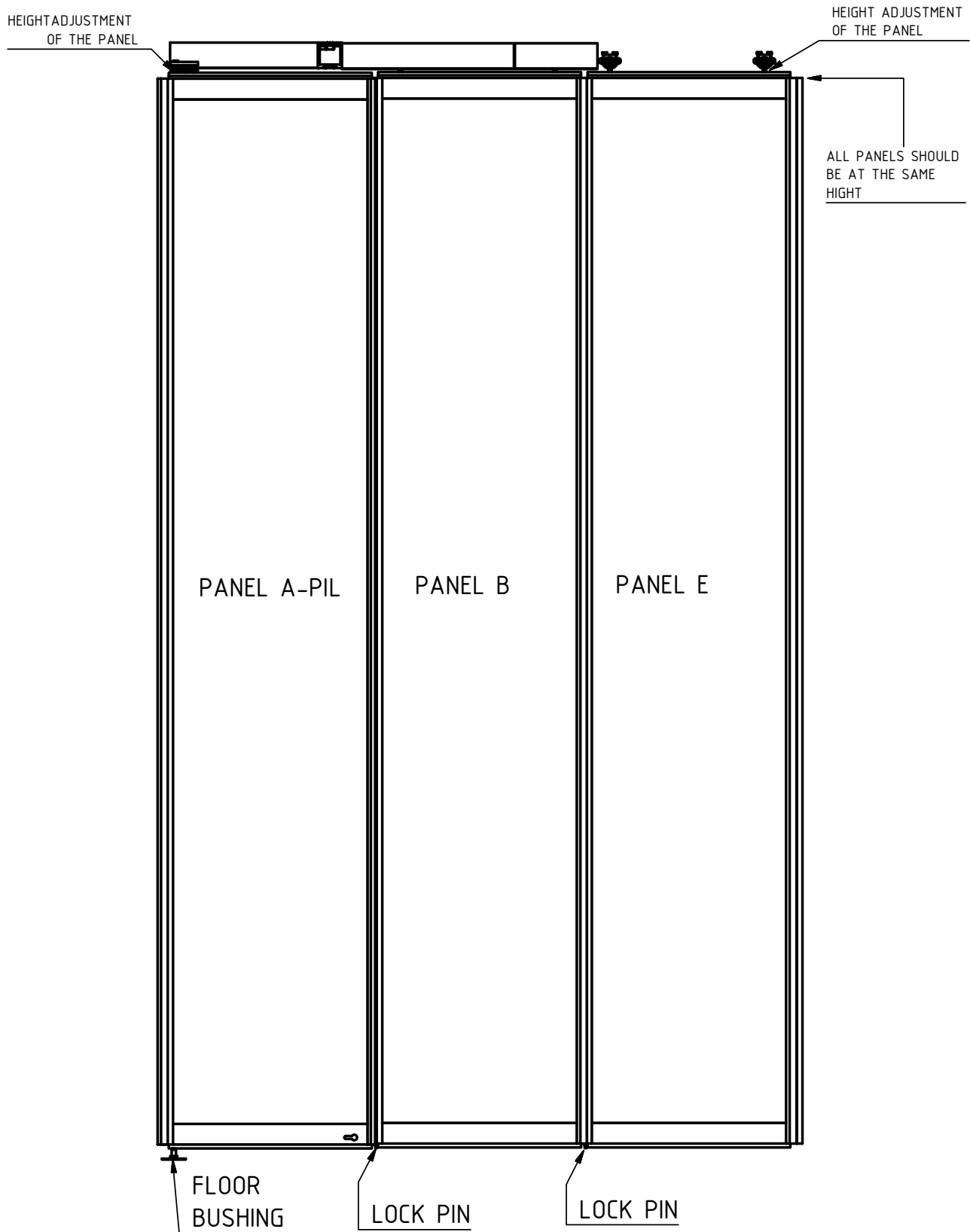
Place the plastic plug into the holes.

Place the floor bushing and then

fasten the three countersunk screws of the bushing.

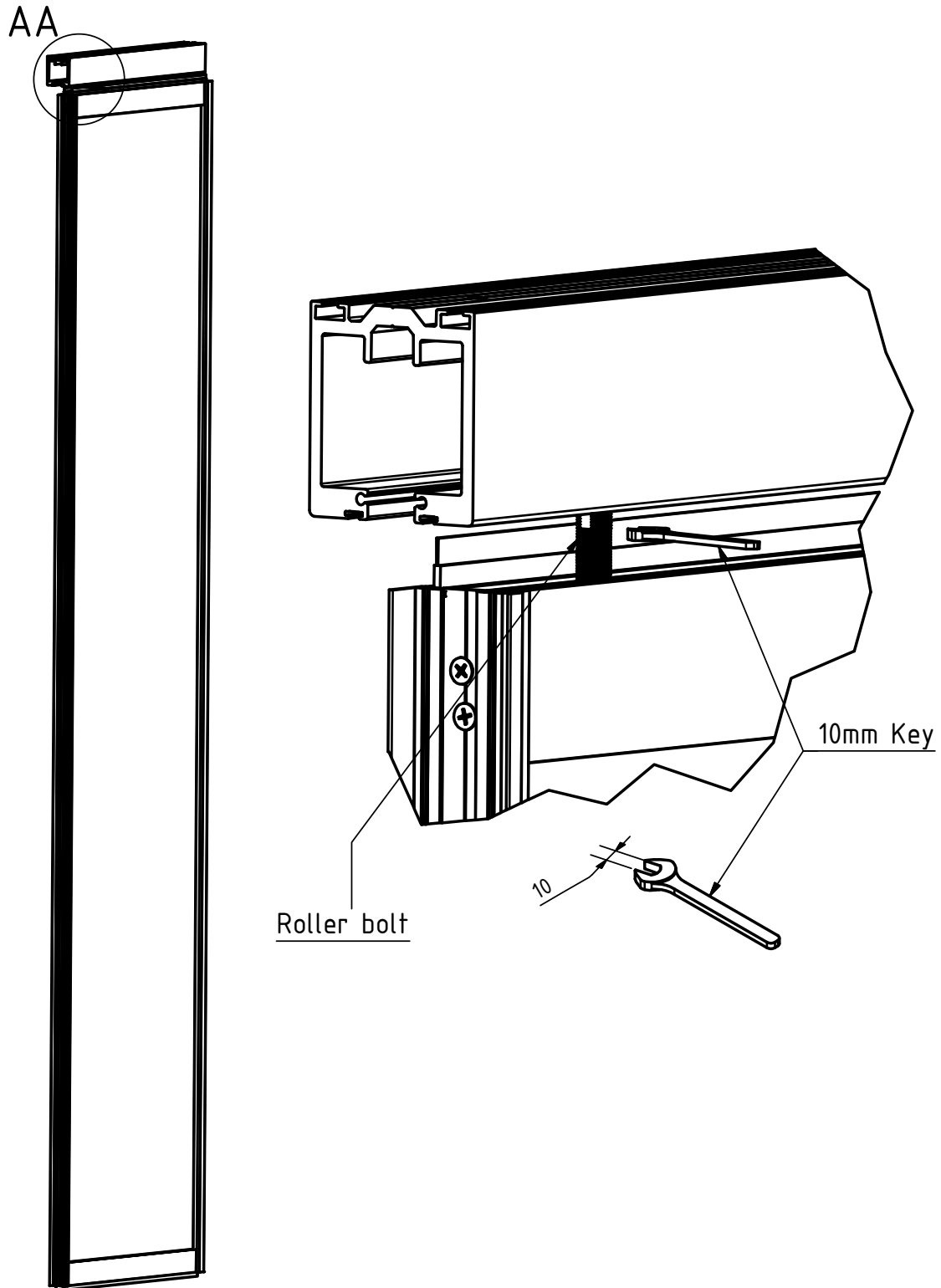
STEP-8D:

Assembly the floor bushing.



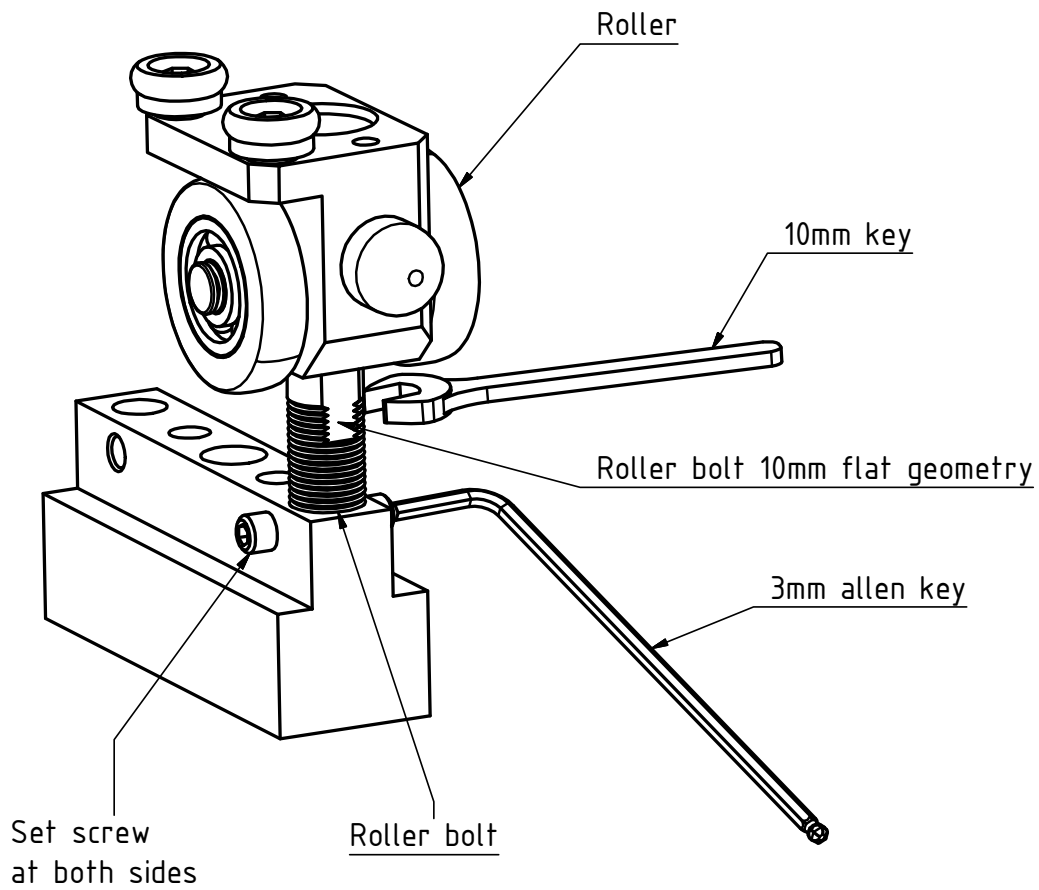
STEP-9:

Adjust the height of the panels and open the holes for the lock pins.



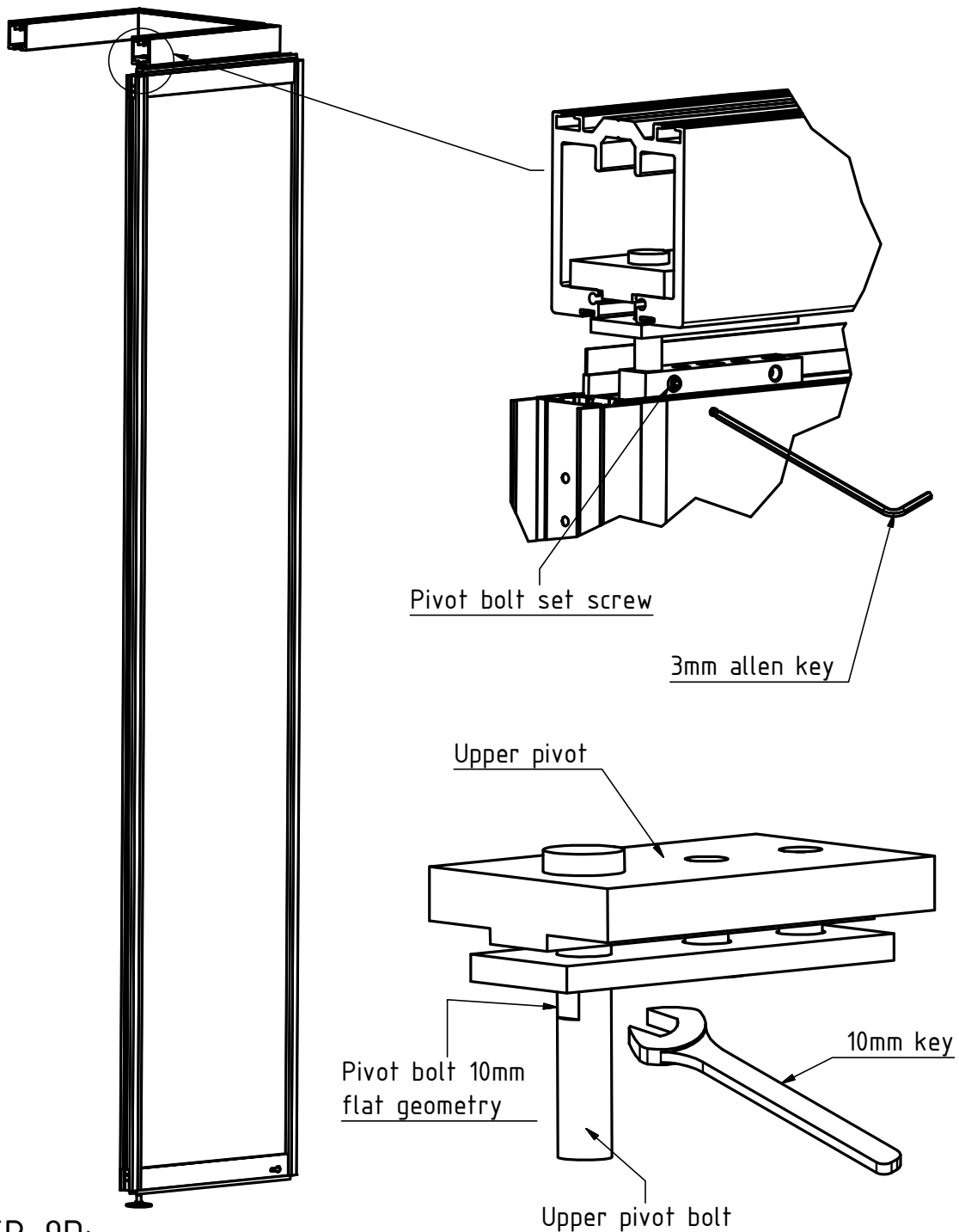
STEP-9B:

Adjust the height of the panels B & E by using a 10mm key.



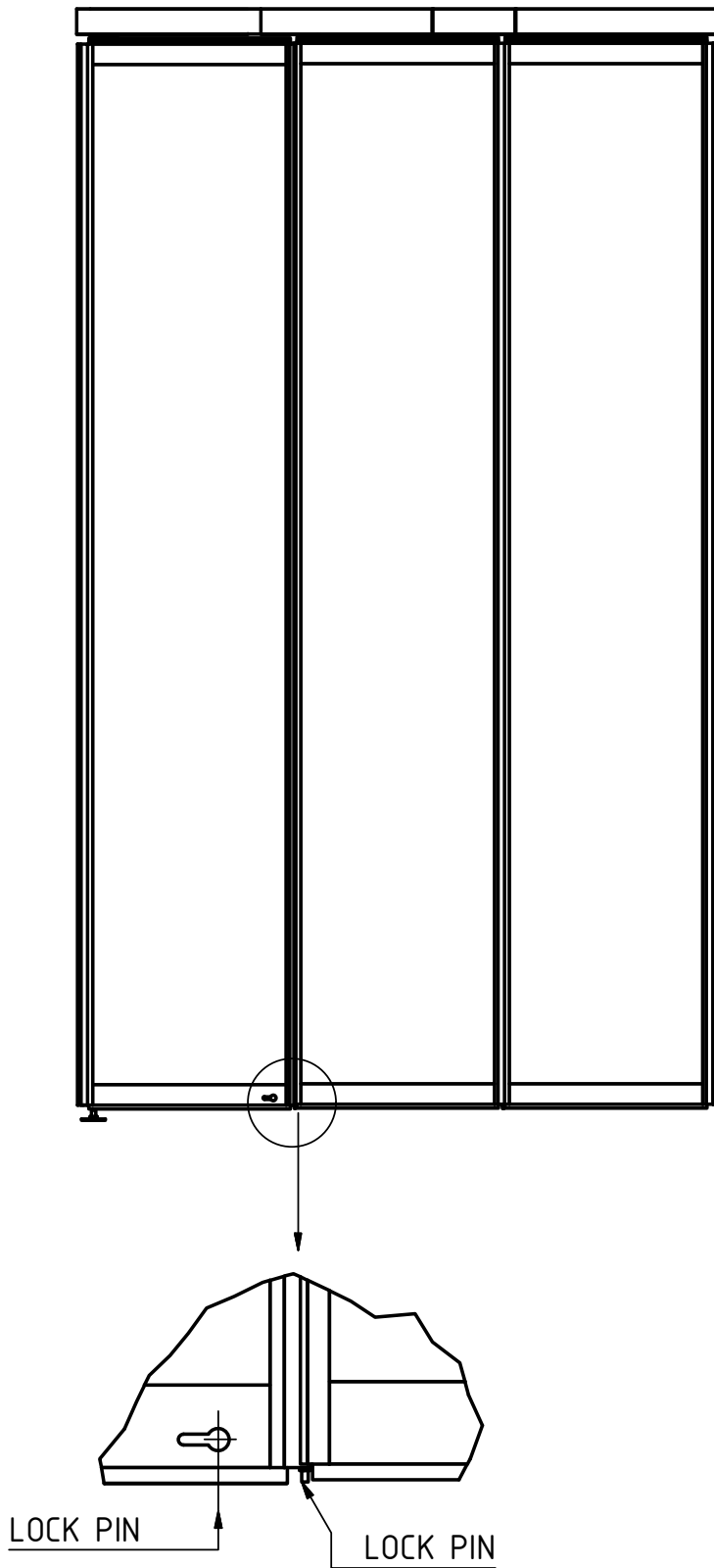
STEP-9C:

Adjust the height of the panels (B & E) by using a 10mm key. Place the key at the roller bolt flat geometry and rotate the key clockwise or counterclockwise. The panel will move up or down accordingly. After finishing the height adjustment then screw the two M6 set screws by using a 3mm allen key.



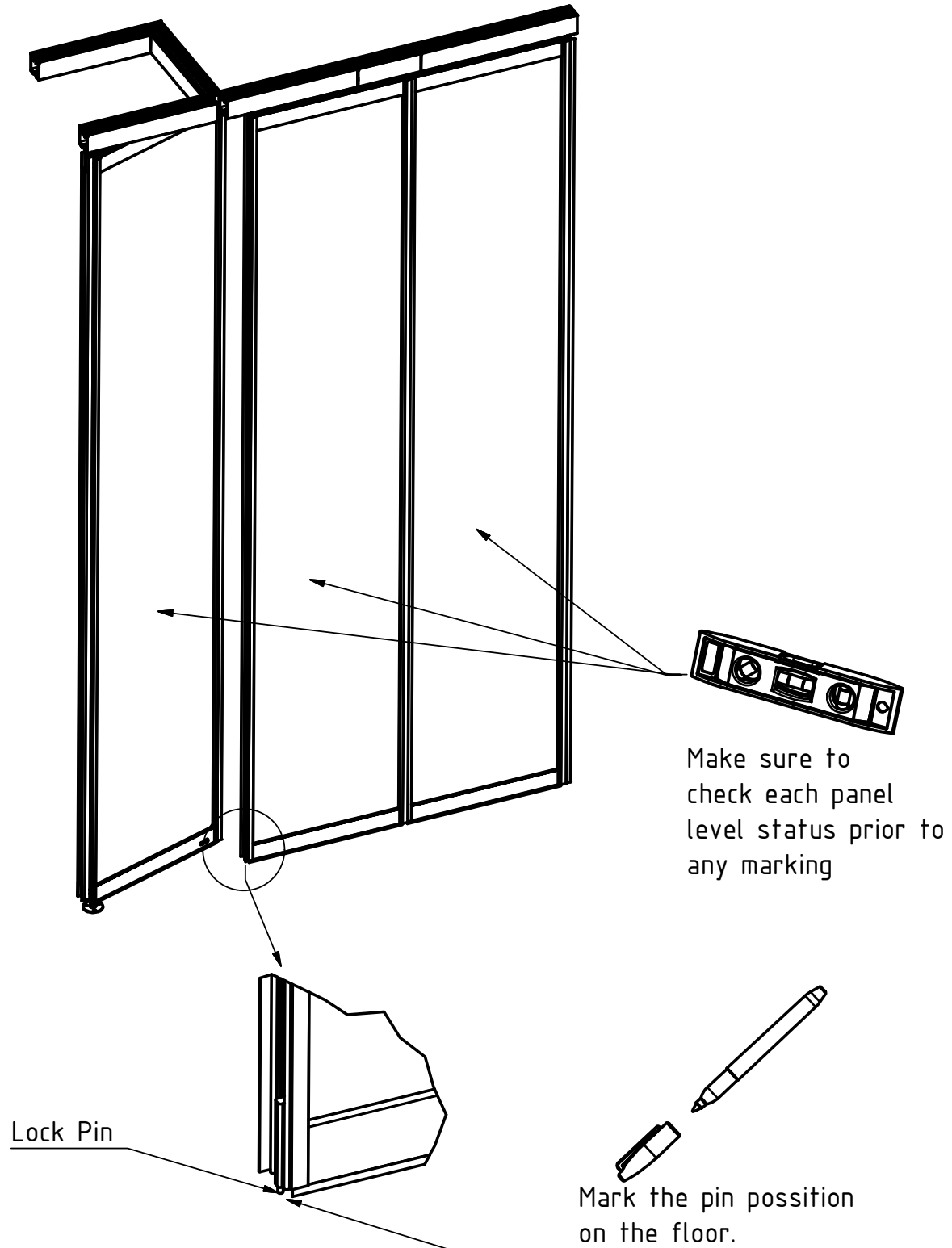
STEP-9D:

Adjust the height of the panel A-PIL by using a 10mm key at the upper pivot bolt. Place the key at the pivot bolt flat geometry and rotate the key clockwise or counterclockwise. The panel will move up or down accordingly. After finishing the height adjustment then screw the M6 set screw by using a 3mm allen key.



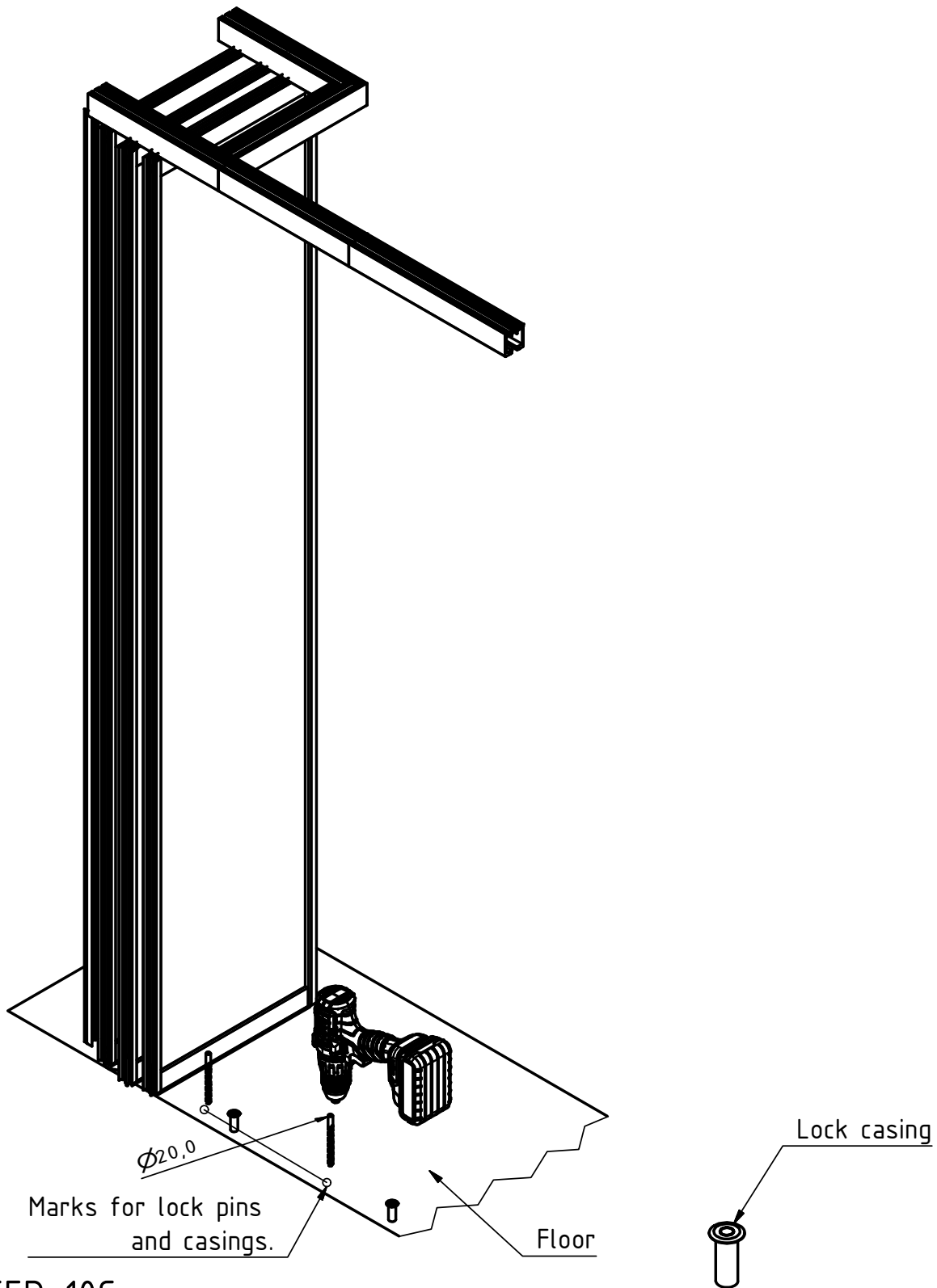
STEP-10:

Mark the position of the lock pins at the floor.



STEP-10B:

Open the panel A-PIL and then mark the position of the lock pin of the panel-B at the floor. Then move panel-B and mark the position of the lock pin of panel-E.

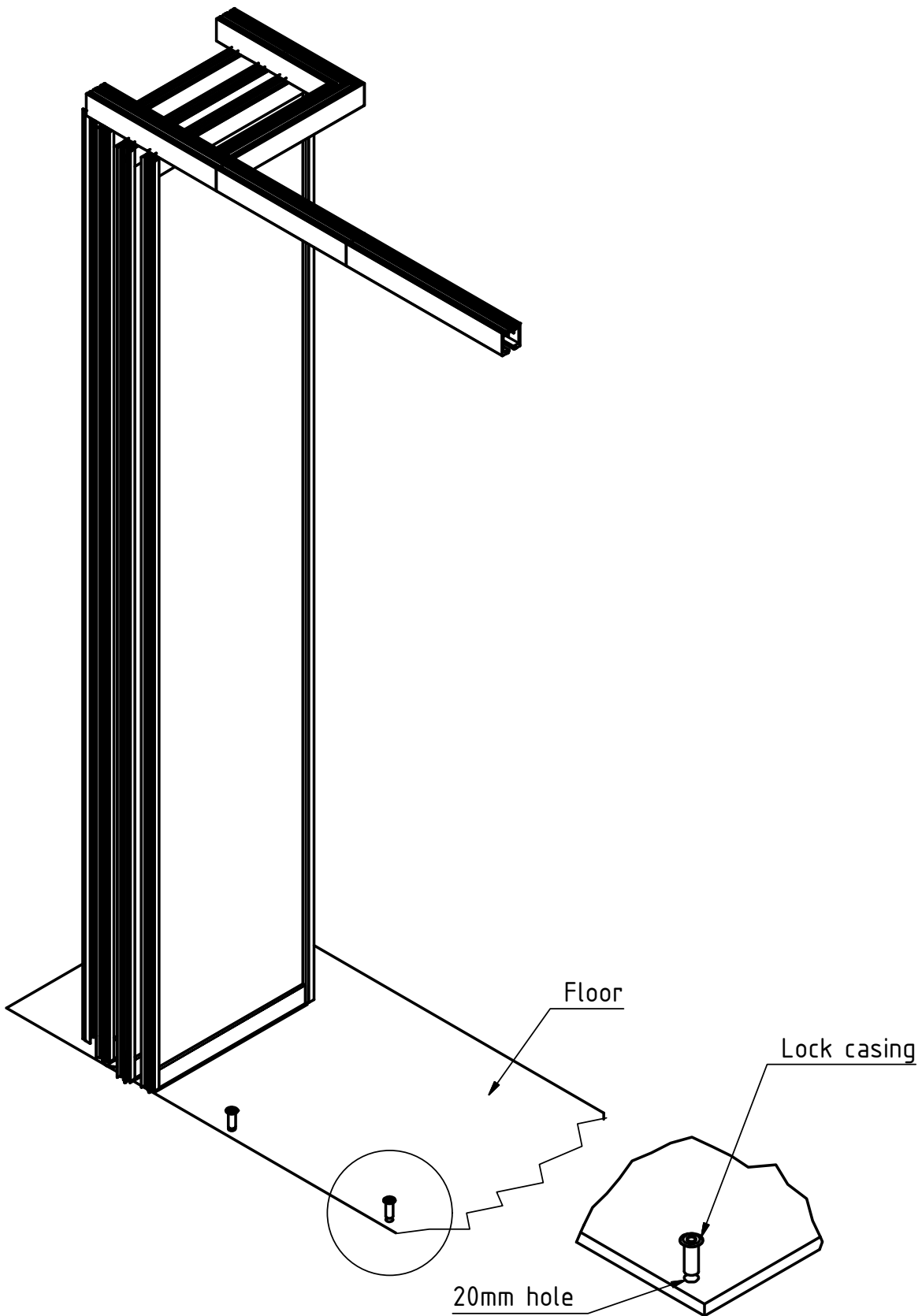


STEP-10C:

Move the panels to the parking area.

Then use a 20mm drill to drill holes at the floor the marked positions.

At these holes the lock casings for ALL panels will be placed.



STEP-10D:

Place the lock casings for the panels at the drilled holes of the floor.