

03^{PS}
EVOLUTION





INDEX

- V-5400
- 03 GLASS PROFILE
- 04 DETAILS

EVOLUTION

SLIMLINE EVOLUTION PARTITIONS ARE THE NEXT GENERATION OF MODERN INTERIOR DESIGN. THE PARTITIONS PROVIDE A SLEEK LOOK WHILE PROFILES ARE DESIGNED TO ALLOW THE ENVIRONMENT TO BECOME THE FOCAL POINT OF ANY INTERIOR SPACE.

THICKNESS

3/8", 1/2", 9/16"

GLASS TYPE

TEMPERED OR TEMPERED LAMINATED

MAXIMUM SIZE

WEIGHT: 220 LBS

HEIGHT: 9'

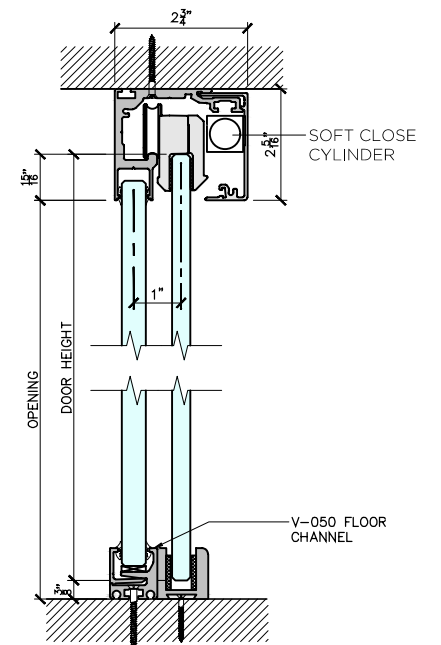
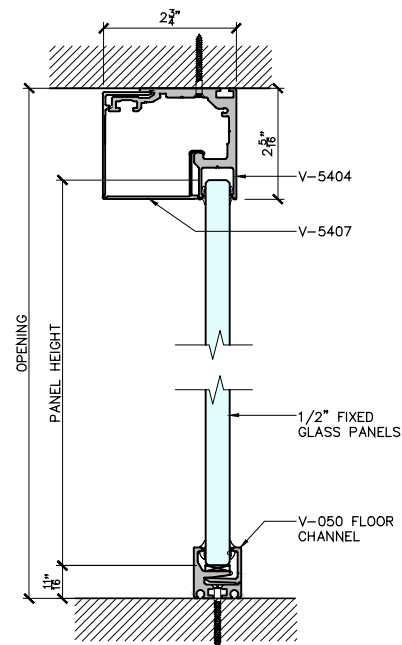
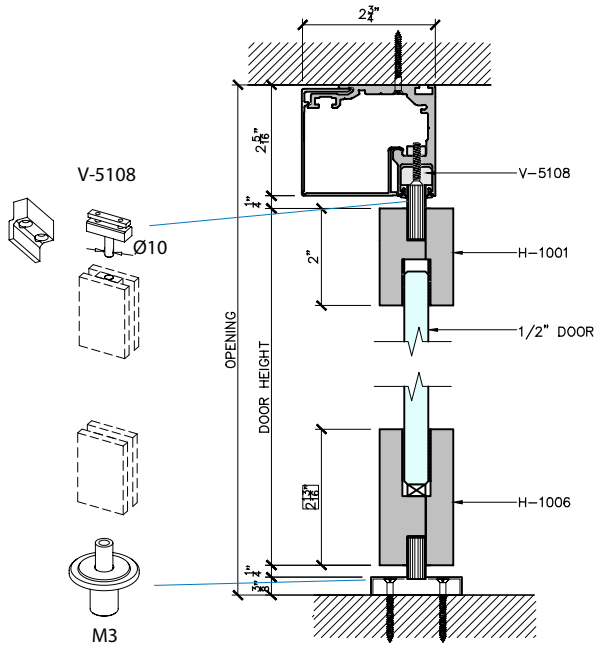
WIDTH: 4'

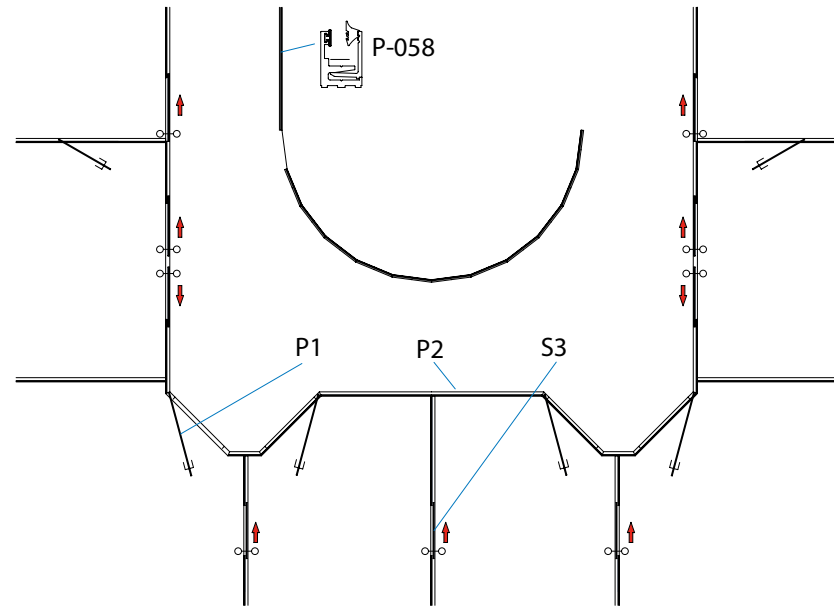
*CALL FOR LARGER SIZES

V-5404 PIVOT DOOR

V-5404 FIXED GLASS

SLIDING DOOR





ALUMINUM PROFILES FOR FIXED PANELS

P1
PIVOT DOOR



P2
PARTITION WALL



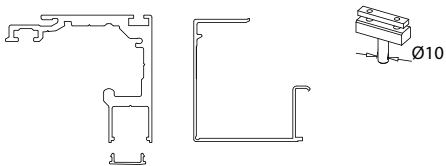
S3
SLIDING DOOR



V-5404

V-5407

V-5108



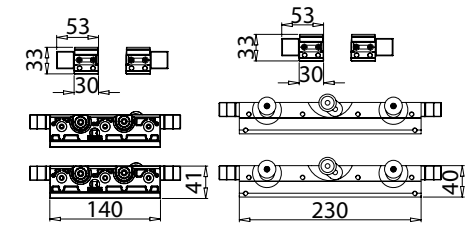
V-2005

V-5404

V-5404

V-5404

V-5405



V-5152

V-5102

V-5406

