

05 ^{DS}
FRAMED





INDEX

PO-290
03 GLASS PROFILES
04 ELEVATIONS
06 DETAILS

FRAMED SEMI-INVISIBLE

SLIDING DOOR WITH ALUMINUM PANEL HAS HALF-VISIBLE EASY FRAME WITH OPTIONAL SOFT-CLOSE MECHANISM. THIS DOOR SYSTEM HAS TRACK FOR TWO SLIDING DOORS WITH FOLLOWER MECHANISM AND ONE FIXED PANEL. ALL-IN-ONE PROFILED ALUMINUM TRACK. CEILING OR WALL MOUNTED. CLAMP CARRIERS PROVIDE SMOOTH GLIDING AND ADJUST FOR DOOR LEVELS.

THICKNESS

5/16"

GLASS TYPE

TEMPERED OR TEMPERED LAMINATED

MAXIMUM SIZE

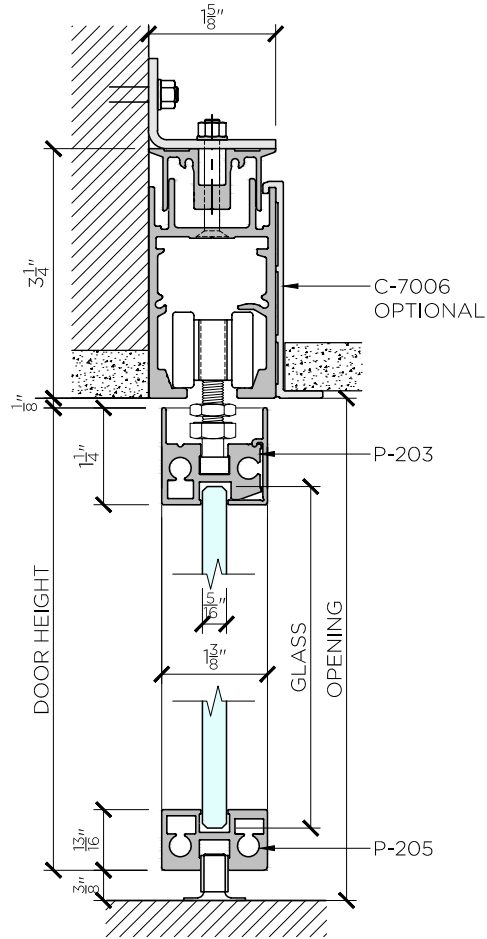
WEIGHT: 176 LBS

HEIGHT: 9'

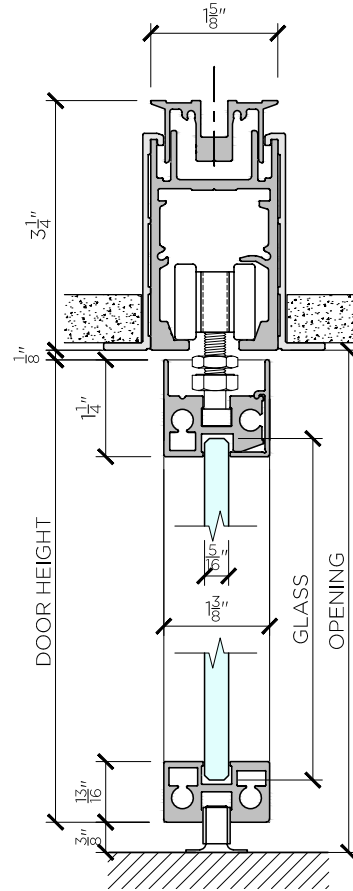
WIDTH: 4'

*CALL FOR LARGER SIZES

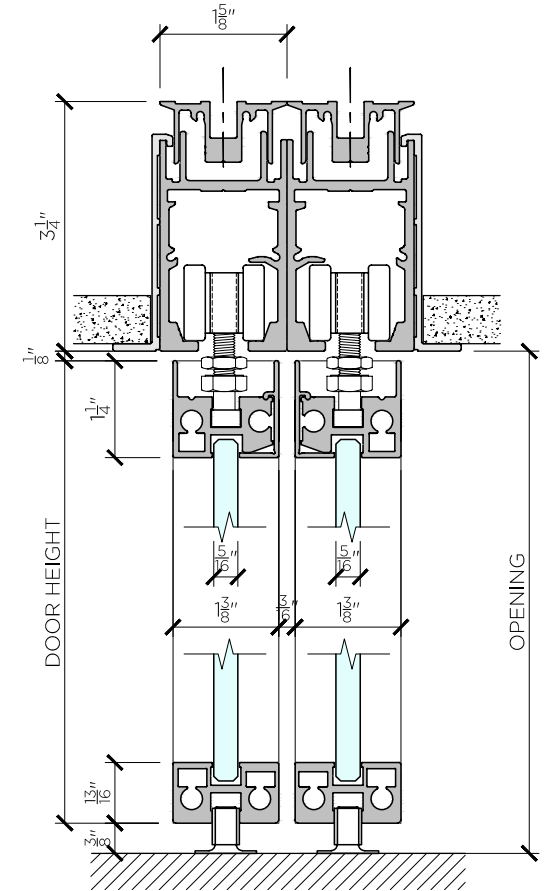
SIDE MOUNTED



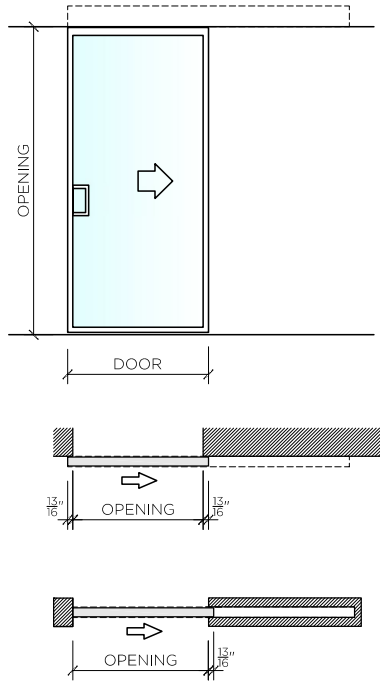
TOP MOUNTED



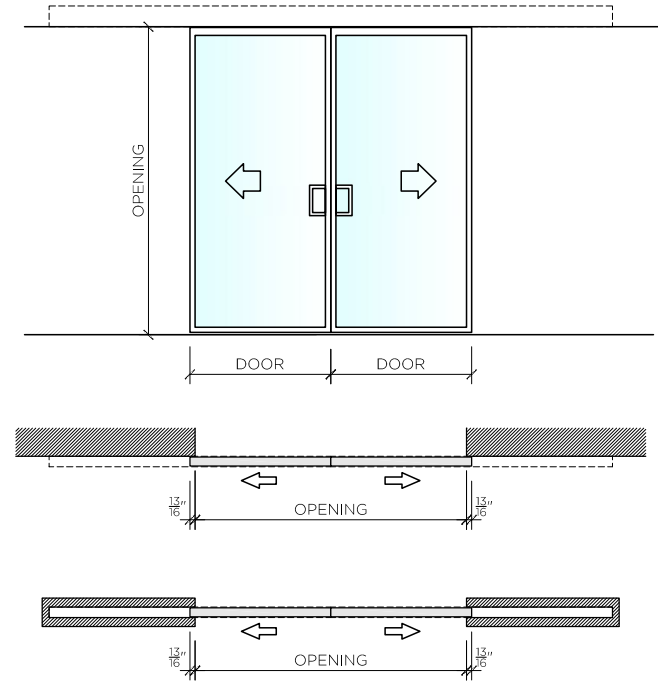
DOUBLE DOORS



CONFIGURATION A

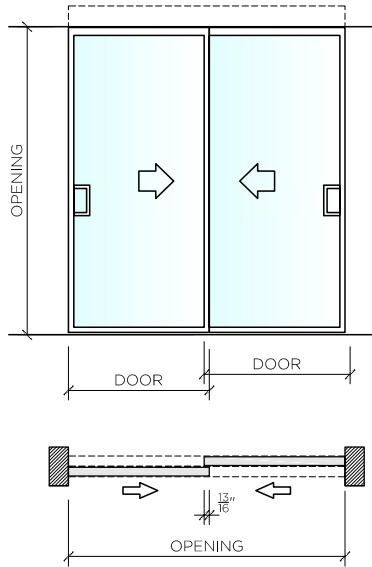


CONFIGURATION B

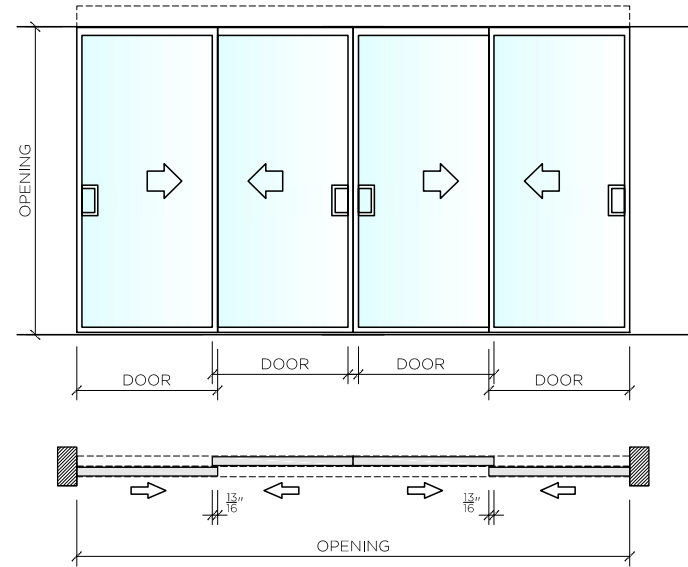


CONCEALED TRACK

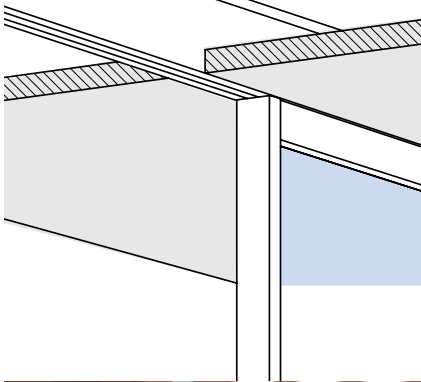
CONFIGURATION C



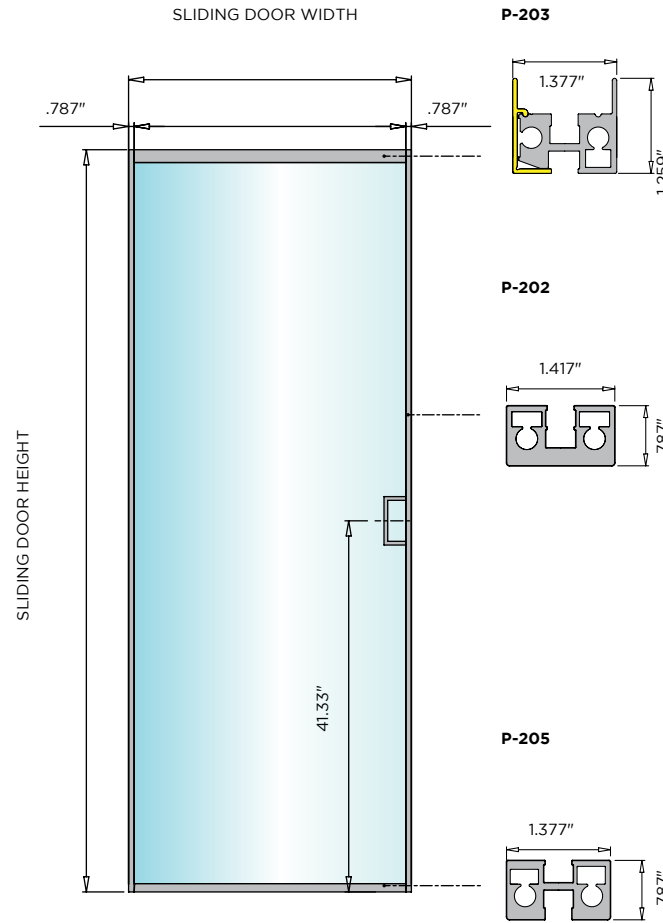
CONFIGURATION D



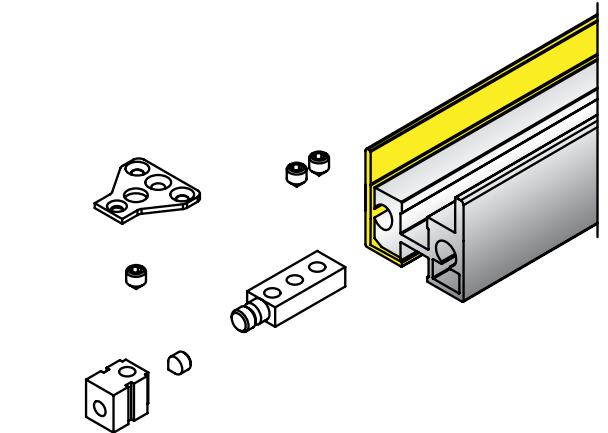
SURFACE MOUNTED TRACK



F-007
PAR SLIDING
HANDLES



P-F25



PRACTICAL INNOVATIVE & FAST

