

05 DS TELESCOPIC

FRAMED





INDEX

- PO-220/PO-230
- 03 GLASS PROFILES
- 04 ELEVATIONS
- 05 DETAILS

FRAMED SYNCHRO

TELESCOPICO SINCRO EASY FRAME 2-WAYS / 2-WAYS + FIXED, FOR SLIDING DOORS WITH ALUMINIUM PANEL PO-220

TELESCOPIC EASY FRAME 2-WAYS / 2-WAYS + FIXED, FOR SLIDING DOORS WITH ALUMINIUM PANEL. PO-230

THICKNESS

3/8", 1/2", 9/16"

GLASS TYPE

TEMPERED OR TEMPERED LAMINATED

MAXIMUM SIZE

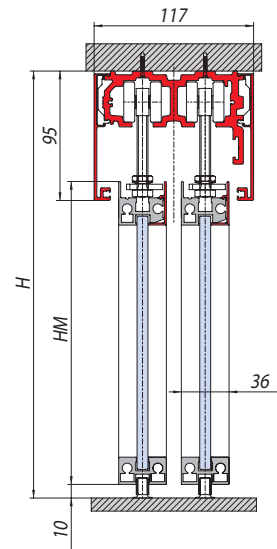
WEIGHT: 220 LBS

HEIGHT: 9'

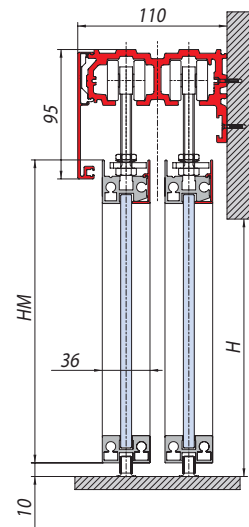
WIDTH: 4'

*CALL FOR LARGER SIZES

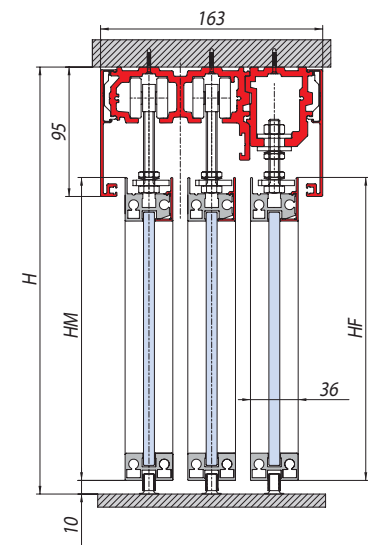
TOP MOUNTED



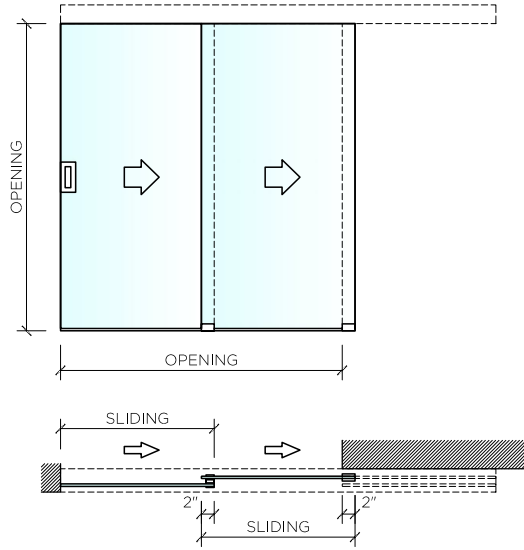
SIDE MOUNTED



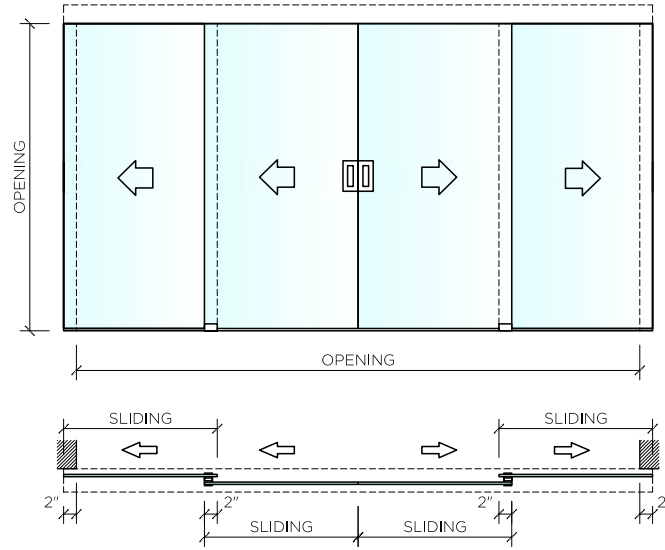
TOP MOUNTED FIXED ???



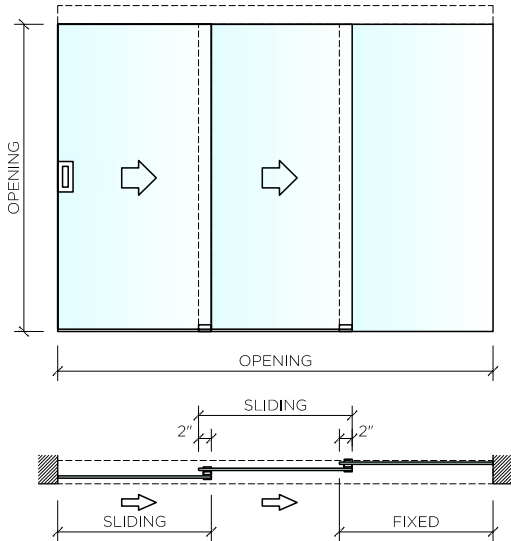
CONFIGURATION A



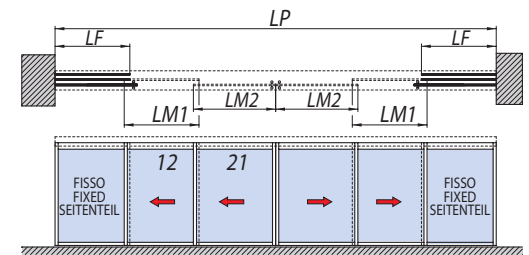
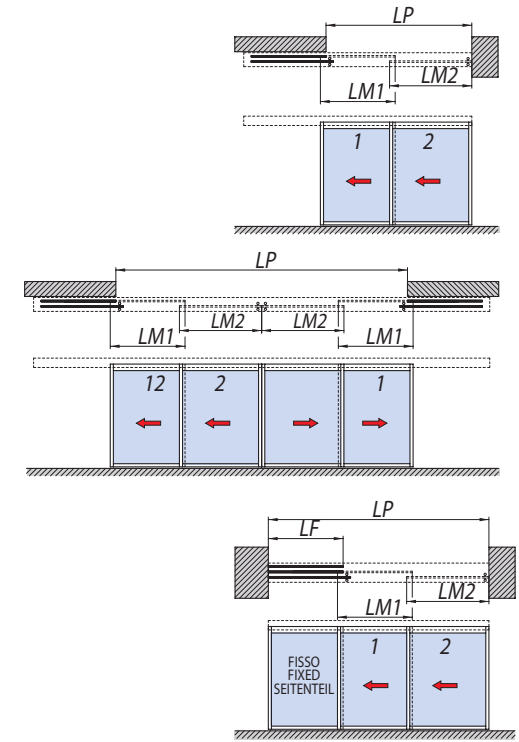
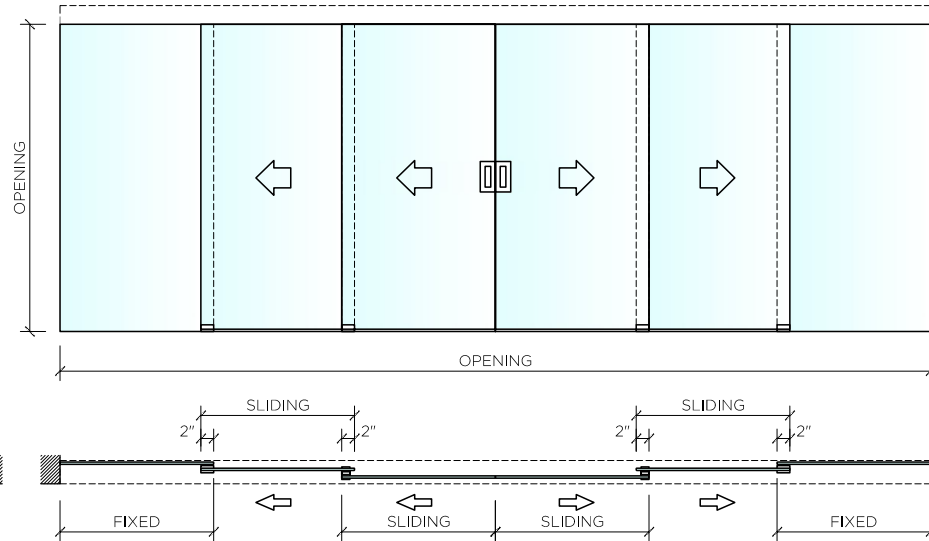
CONFIGURATION B

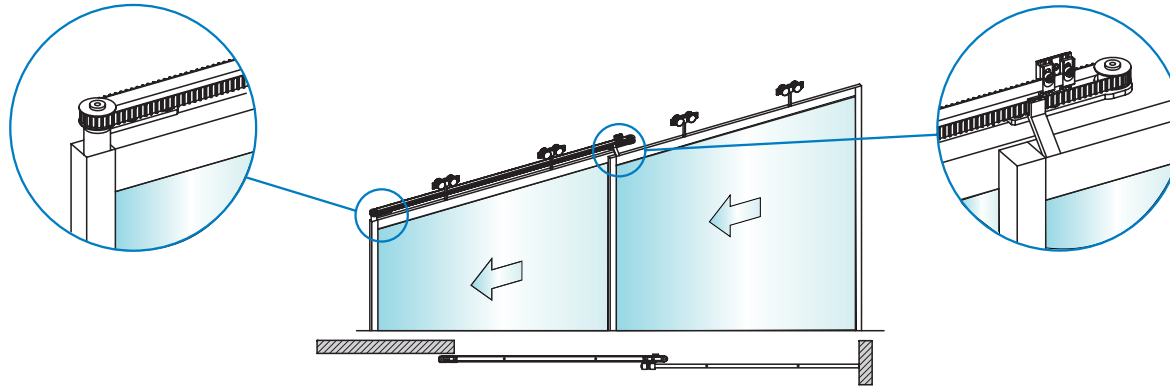


CONFIGURATION C

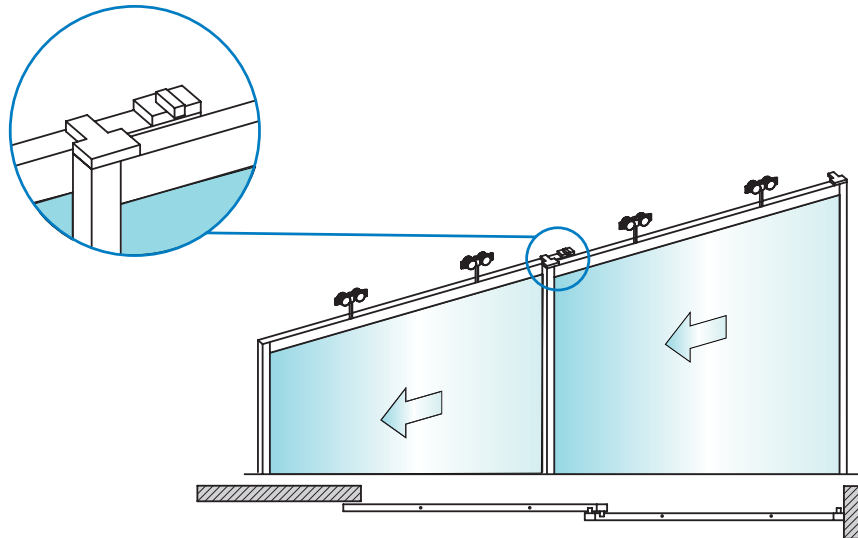


CONFIGURATION D





PO-220 WITH SYNCHRONIZED MOVEMENT



PO-230 WITH MECHANICAL FALLOVER