

07 FR SLIMLINE
B SERIES





INDEX

B-1000/B-1050/B-1100
03 GLASS PROFILES
08 DETAILS

B SERIES / SLIMLINE BASE SHOE

THE QUALITY AND RELIABILITY OF THIS RAILING SYSTEM HAS ACHIEVED MANY ACCOLADES AS IT IS A PATENTED SYSTEM DESIGNED TO BE EASILY ADJUSTABLE.

THICKNESS

3/8"

GLASS TYPE

TEMPERED OR TEMPERED LAMINATED

MAXIMUM SIZE

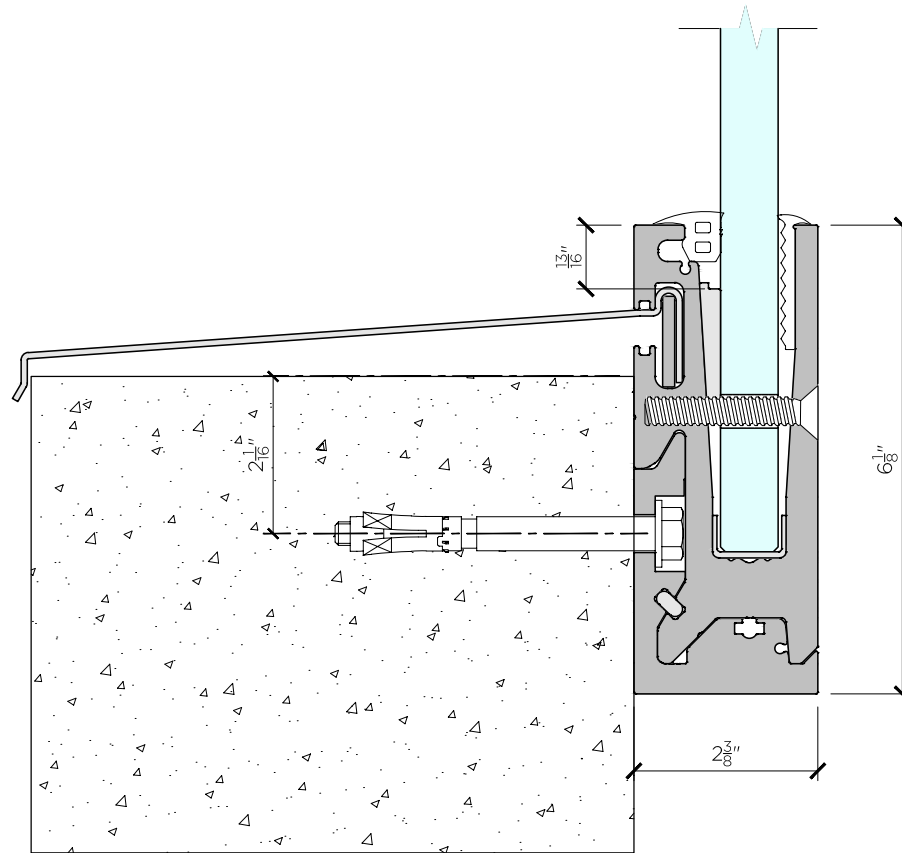
WEIGHT: 176 LBS

HEIGHT: 9'

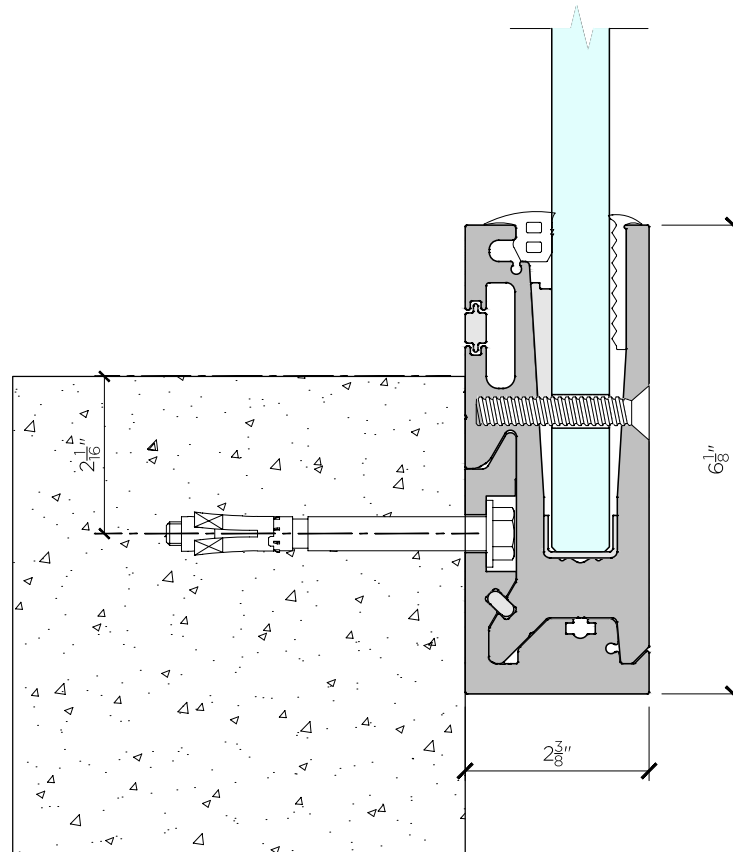
WIDTH: 3'3"

*CALL FOR LARGER SIZES

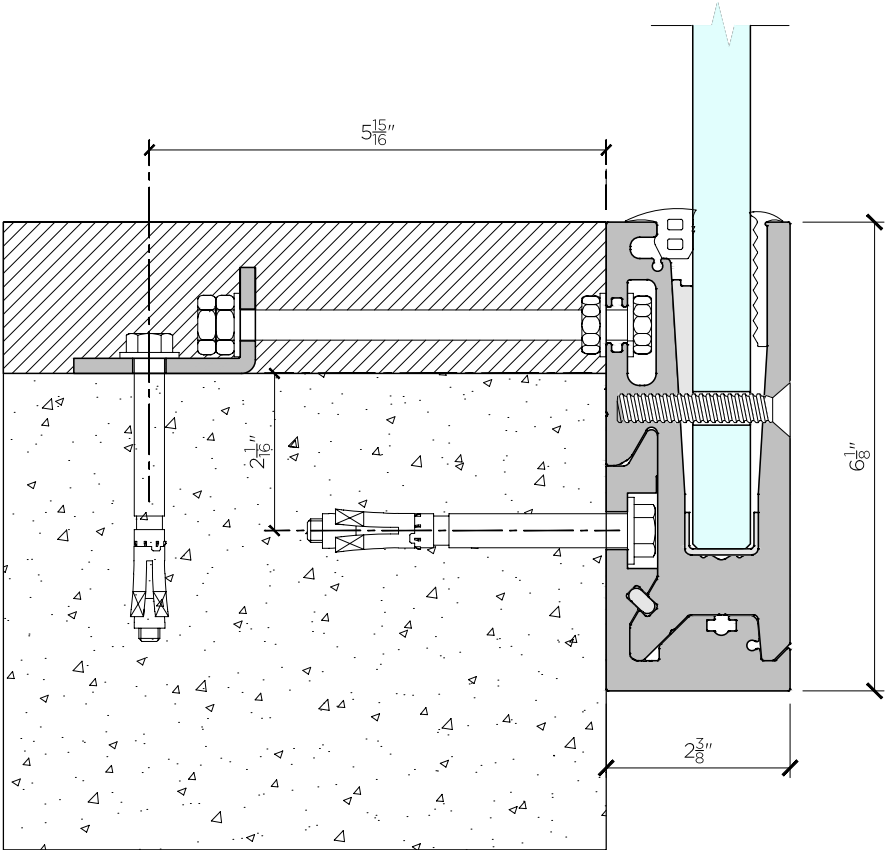
PARAPET MOUNT



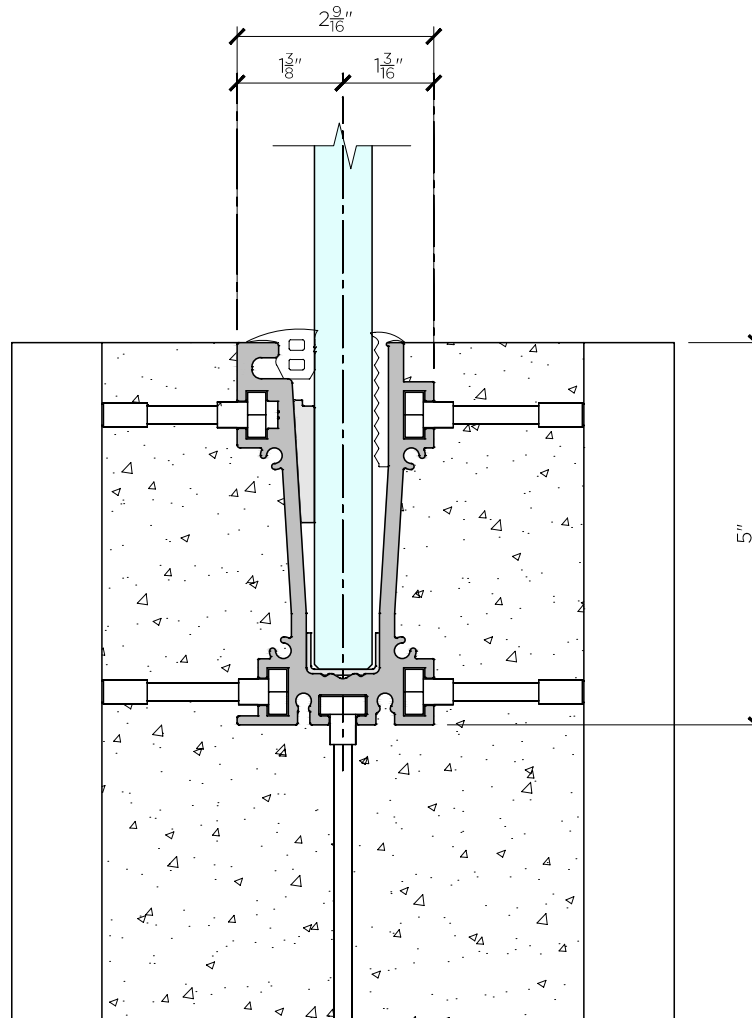
WALL MOUNT



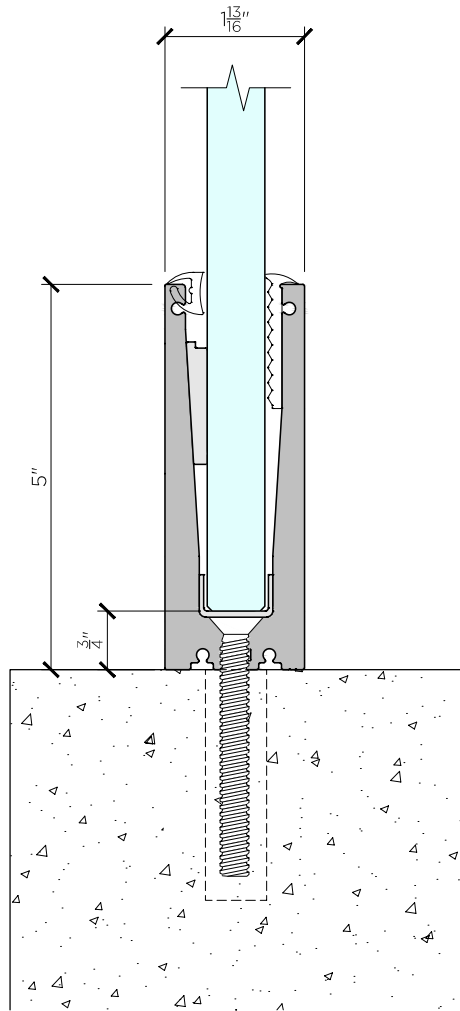
UNDER FLOOR MOUNT



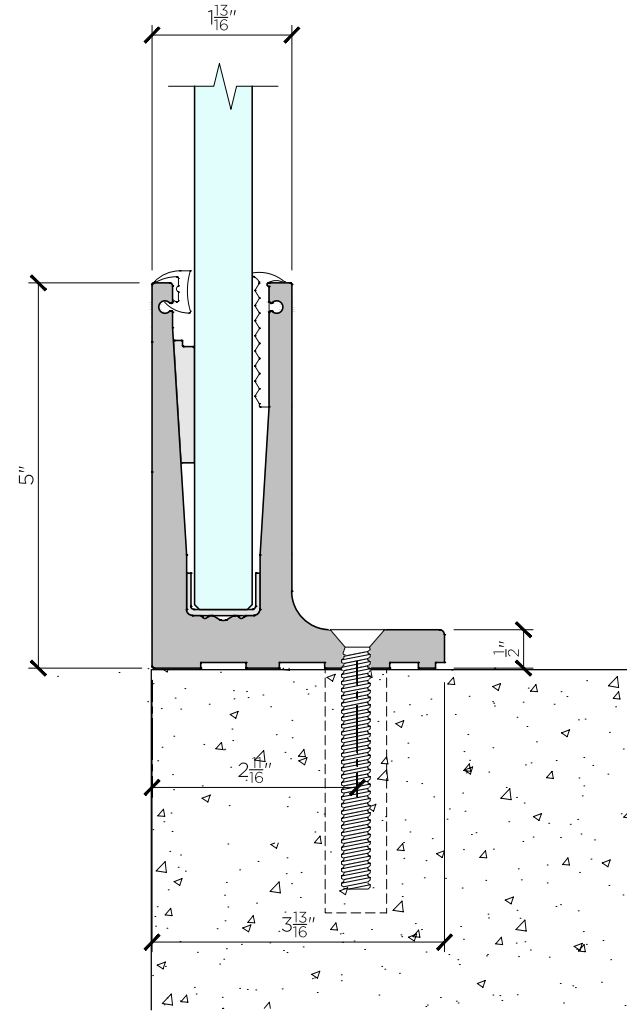
RECESSED MOUNT



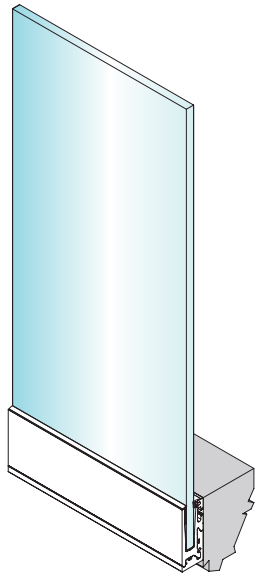
STANDARD FLOOR PROFILE



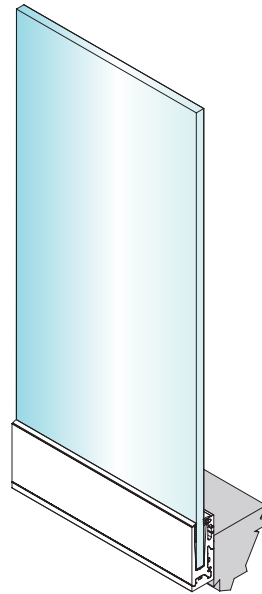
INSTALLATION WITH FLOOR PROFILE



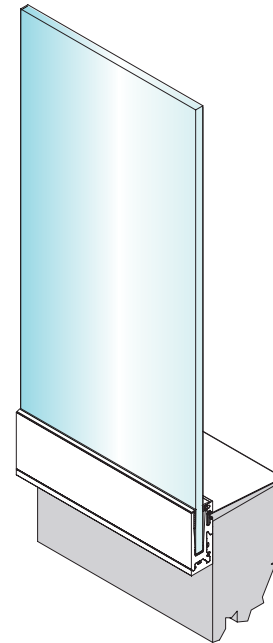
PROFILES FOR FULL GLASS RAILINGS FOR INSTALLATION ON WALL, FLOOR OR RECESSED IN THE FLOOR FIXING WITH WEDGES



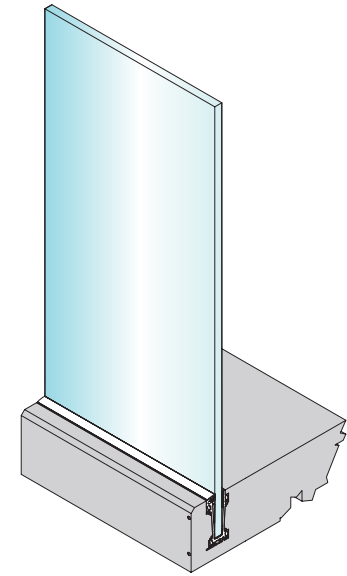
B-1000 MASSIVE
WALL INSTALLATION WITH
MOUNTING BLOCK.



B-1000 WALL
MODULAR BALAUSTER
WALL INSTALLATION.



B-1000 PARAPET
MODULAR BALAUSTER SYSTEM
FOR WALL INSTALLATION FOR
COVERING PLATE.



B-1050 RECESSED
U-PROFILE FLOOR INSTALLATION
WITHOUT GASKETS AND SCREW.