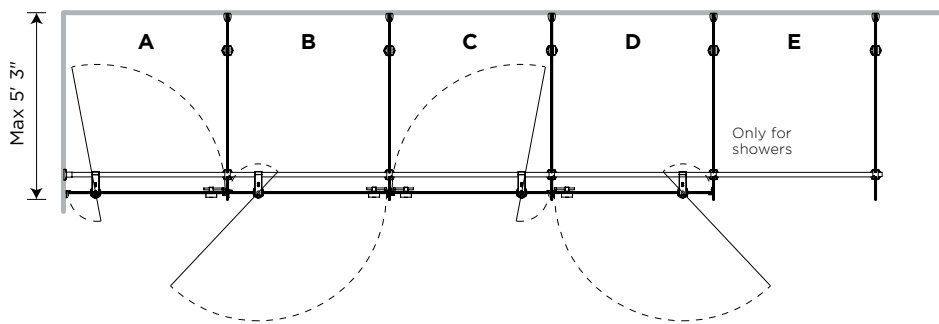
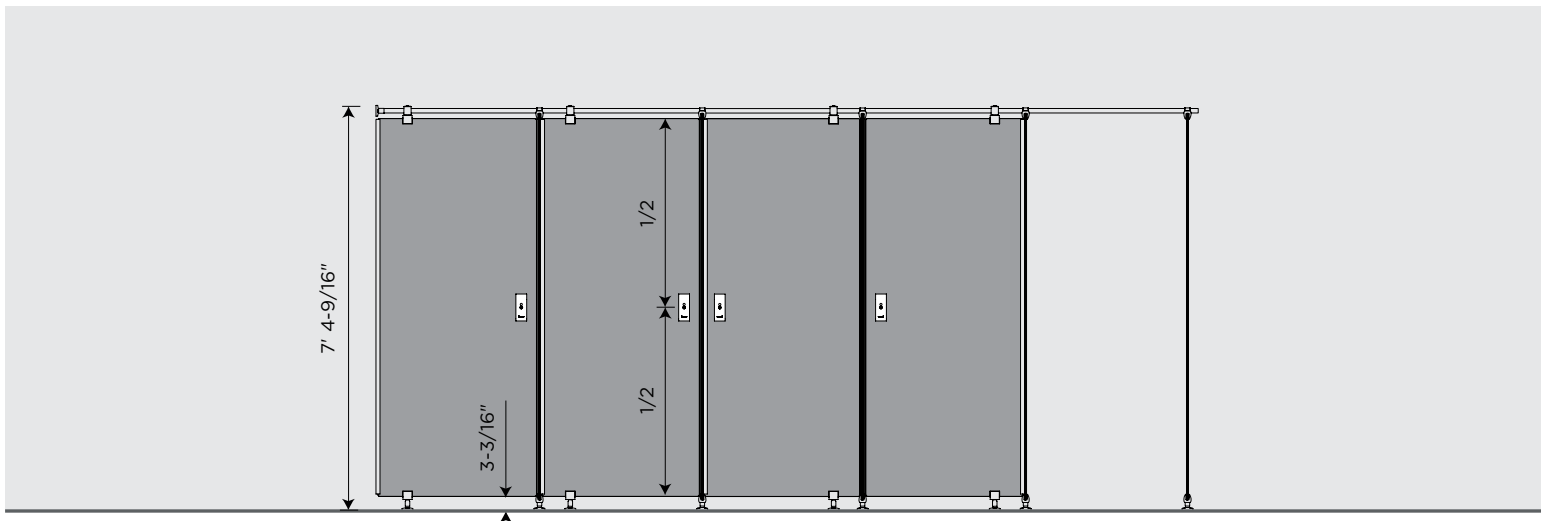


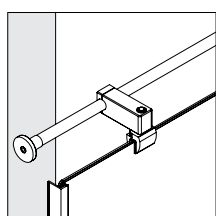
glassBOX-T



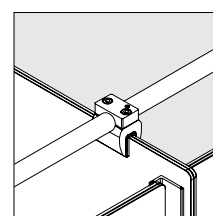
Types of openings:

Choose the type of opening required from the options shown above.

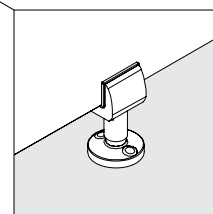
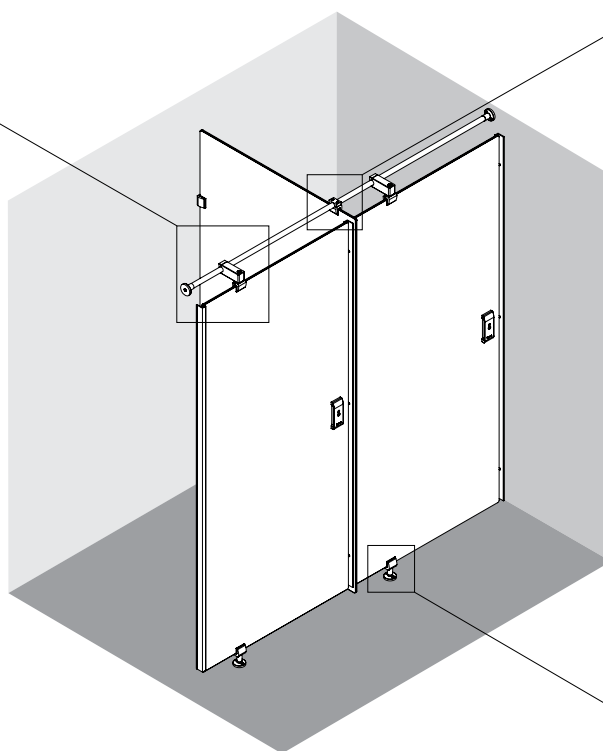
glassBOX-T



Compression clamp
and hydraulic device for
automatic closing

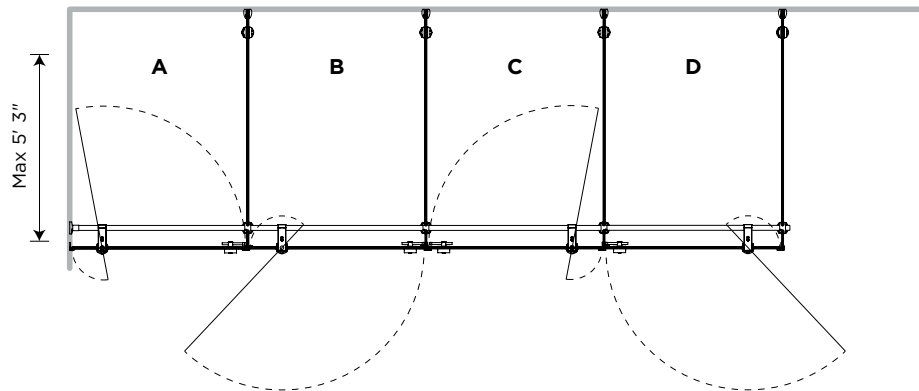
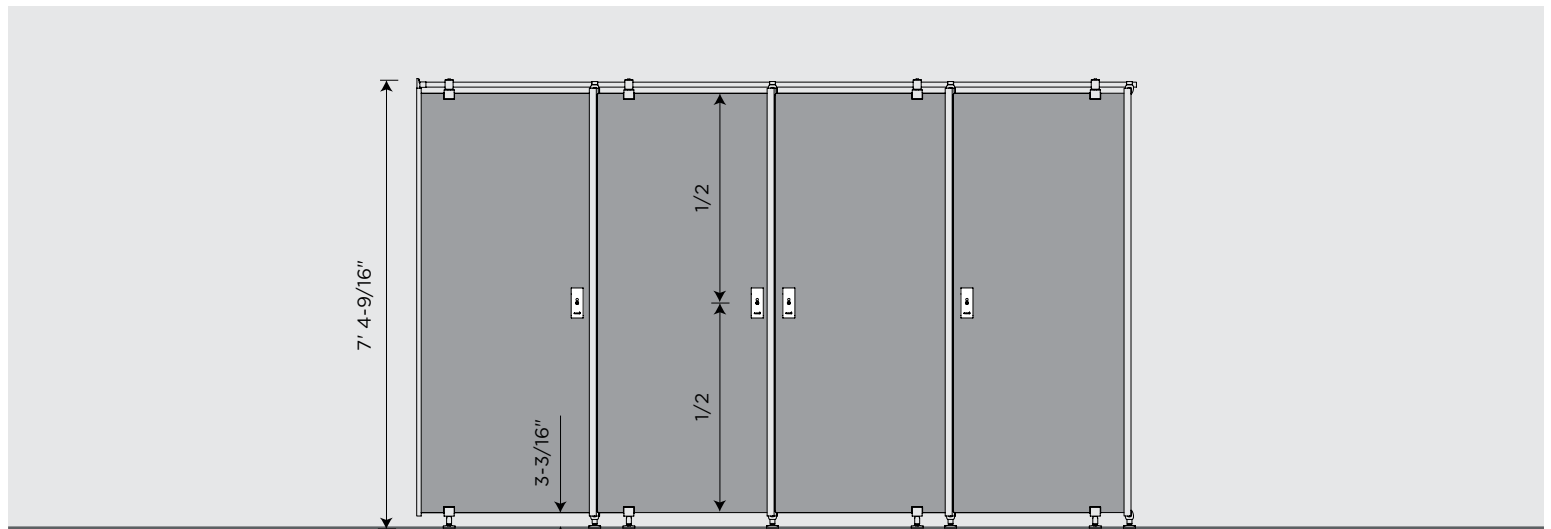


Compression clamp



Leg and pivot
door support

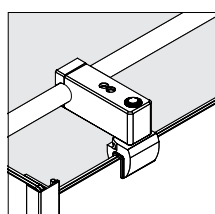
glassBOX-F
stoneBOX



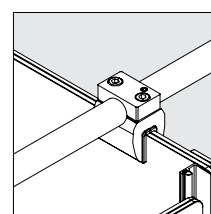
Types of openings:
Choose the type of opening
required from the options
shown above.

glassBOX-F

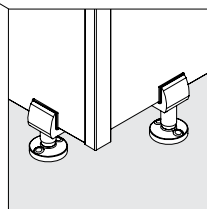
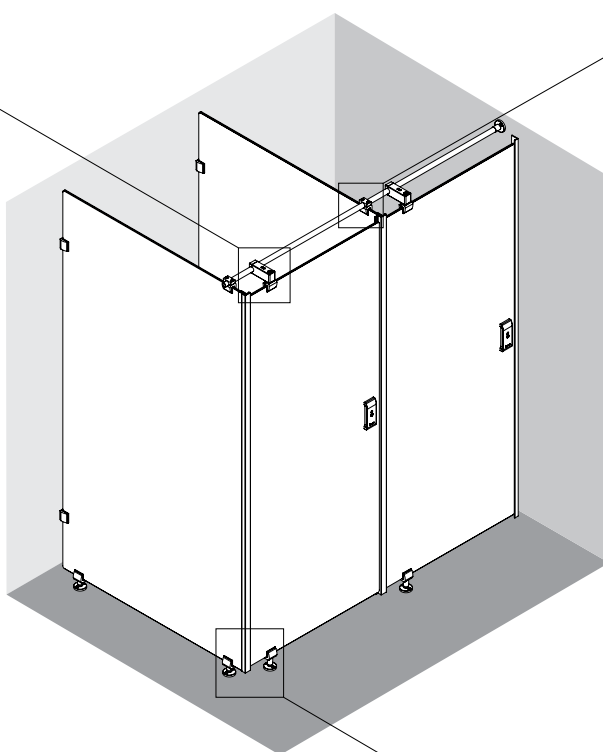
stoneBOX



Compression clamp
and hydraulic device for
automatic closing



Compression clamp

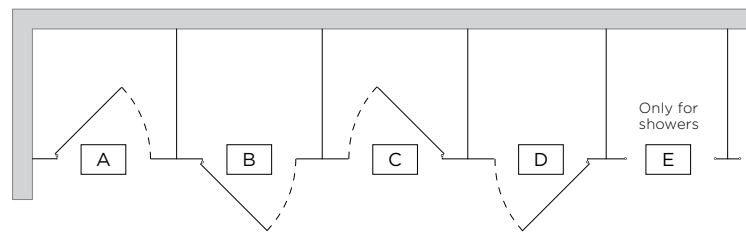
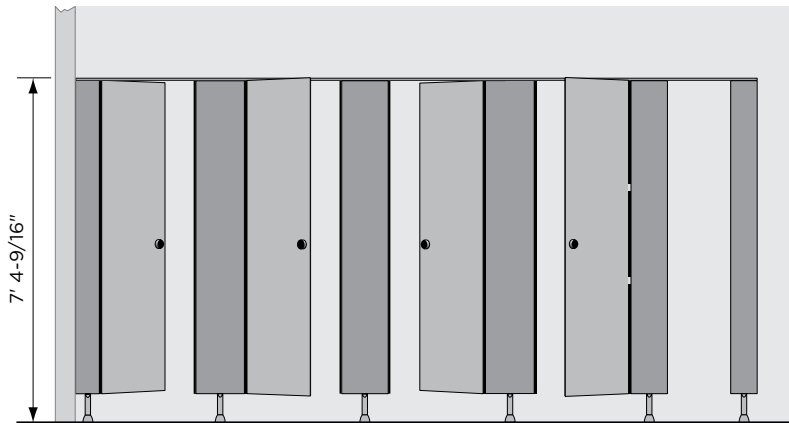


Leg and pivot
door support

cHPLBOX

Types of openings

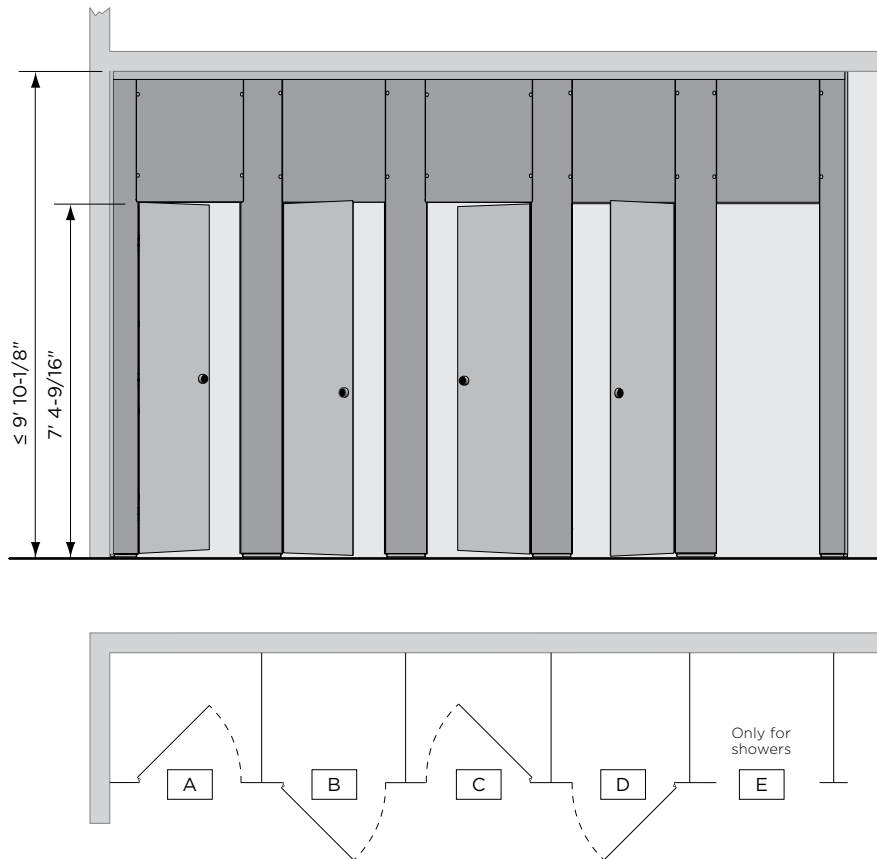
To choose the most suitable type of cubicle, please refer to the following drawings.



cHPLBOX Full Height

Full Height

All structural supports concealed on the interior side of the cubicles.



solidINTEGRA

INTEGRA-B

Solid surface
trough-type
washbasin with
Multiconsole

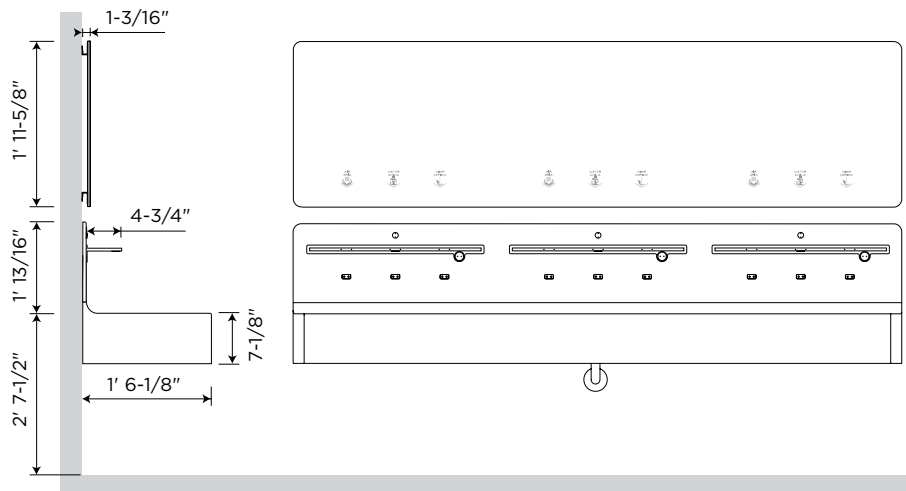
INTEGRA may have one, two or three stations with soap dispenser, water faucet and hand dryer.

Optional mirror with perimeter LED light indicating Soap, Water and Air.

They can either be fitted or configured with an underbasin thermostatic temperature mixer (for hot and cold water) or be without mixer for cold or premixed water.

Before installing INTEGRA washbasins, please arrange the following:

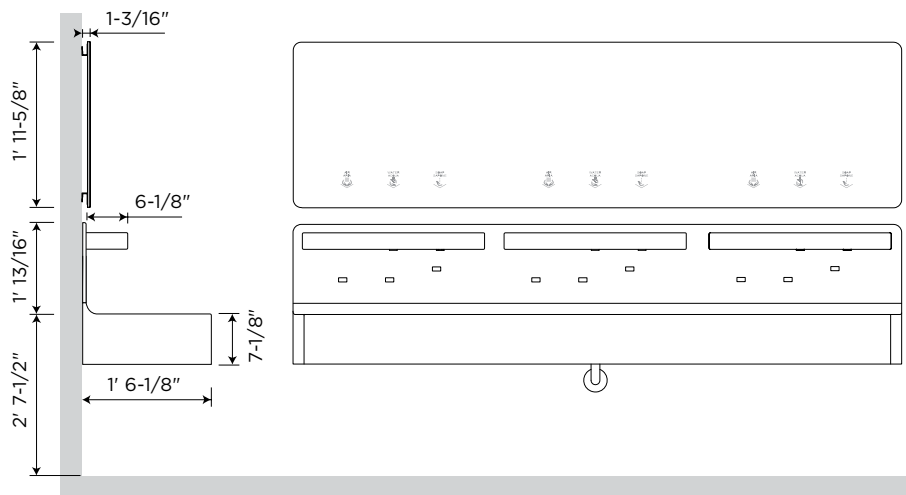
- Wall-recessed support bracket (Included)
- Wiring connection to 120V/50-60Hz
- Water inlet
- Drain location



solidINTEGRA

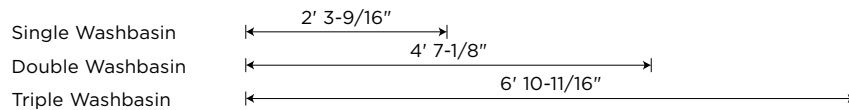
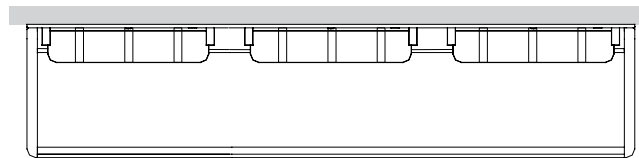
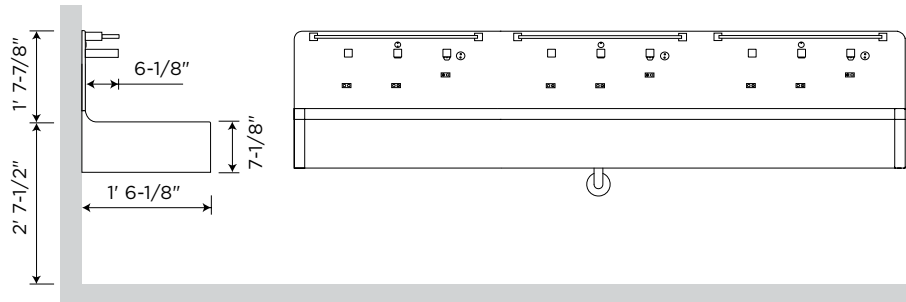
INTEGRA-M

Solid surface trough-type washbasin with concealed spouts and attached backsplash



INTEGRA-S

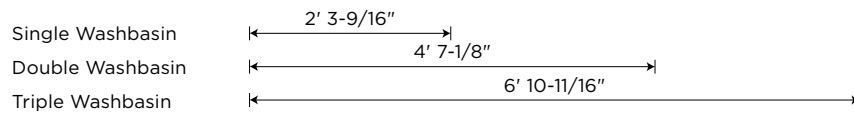
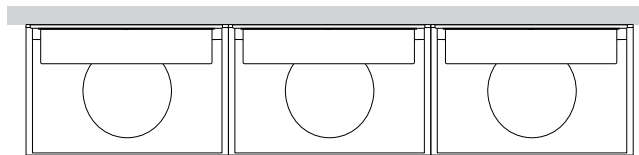
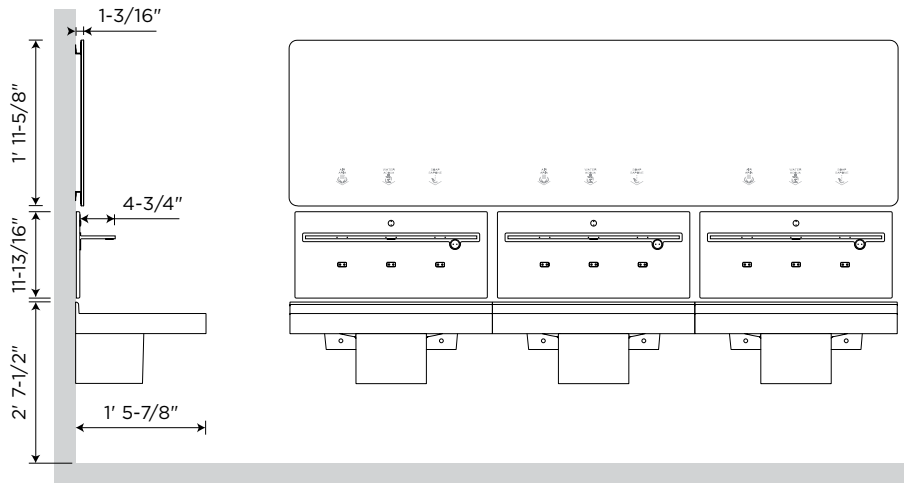
Solid surface trough-type washbasin with exposed spouts and attached backsplash



solidINTEGRA

INTEGRA-G

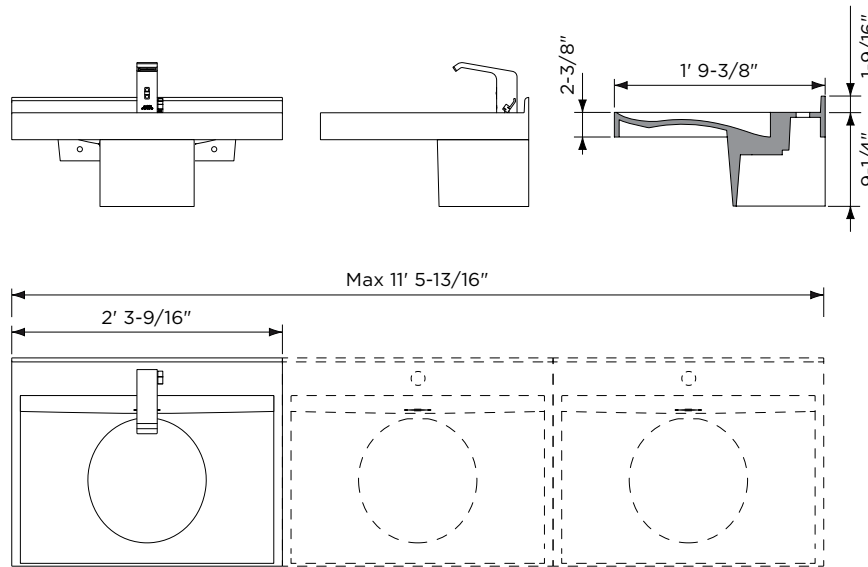
Integral
solid surface
washbasin with
Multiconsole



solidINTEGRA

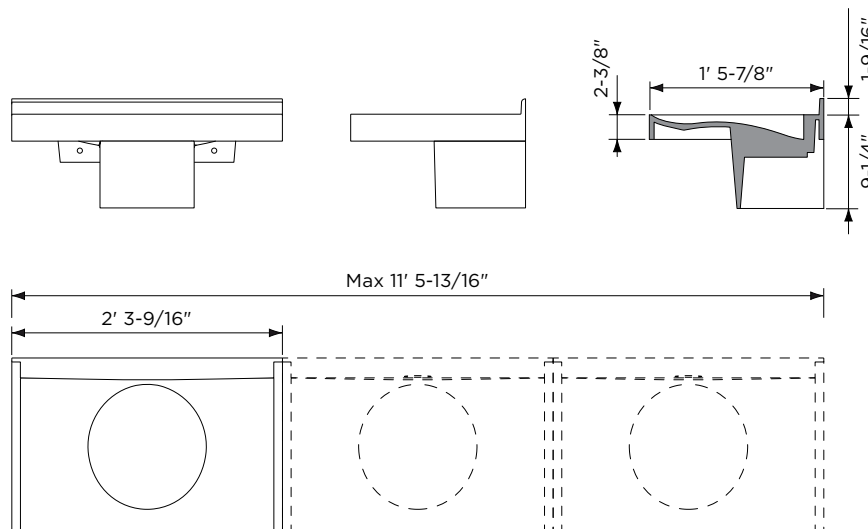
GIBBO A

GIBBO integral solid surface washbasin with single-hole faucet



GIBBO C

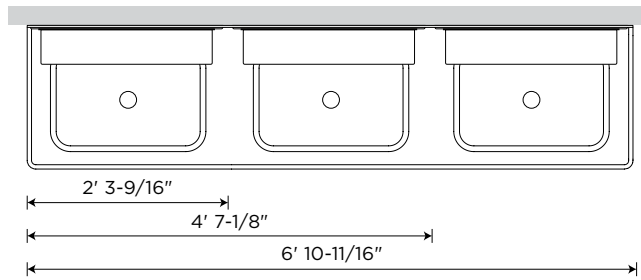
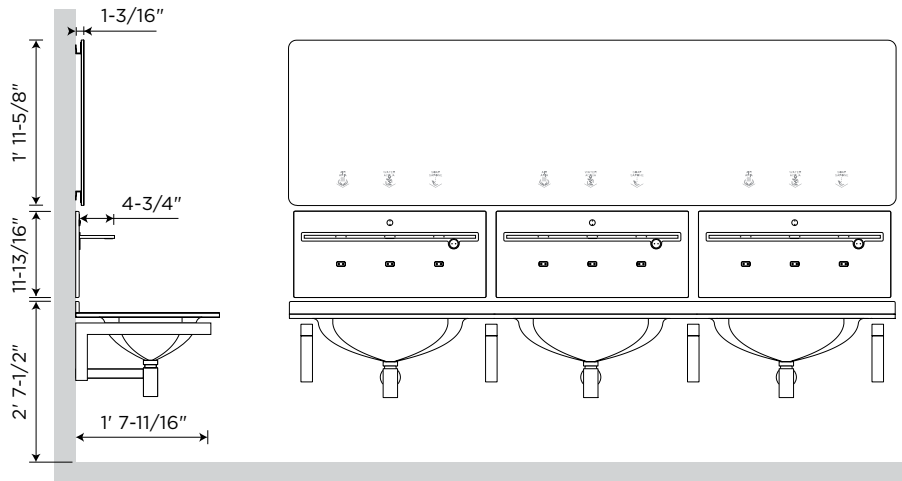
GIBBO integral solid surface washbasin with wall-mounted faucet



glassINTEGRA

INTEGRA-A

Handcrafted colored glass washbasin with Multiconsole concealed spouts



Single Washbasin
 Double Washbasin
 Triple Washbasin

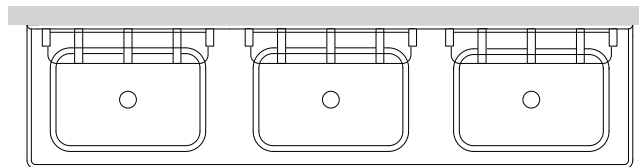
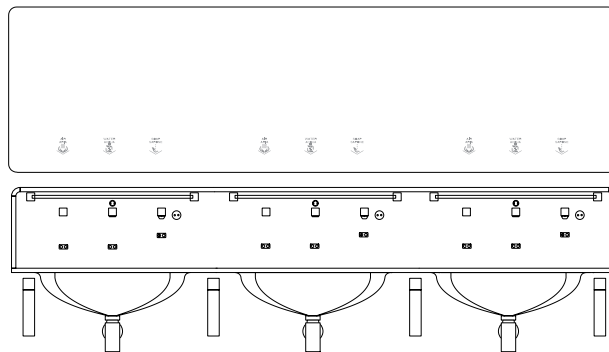
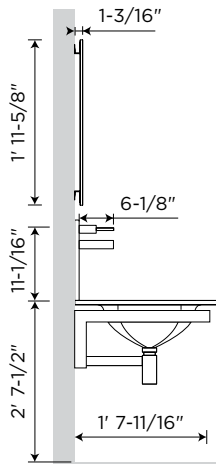
glassINTEGRA

INTEGRA-V

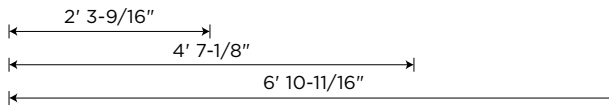
Handcrafted colored glass washbasin with Multiconsole exposed spouts and glass shelf

Options

- Mirror with perimeter LED lights
- Glass shelf, as seen in INTEGRA-S



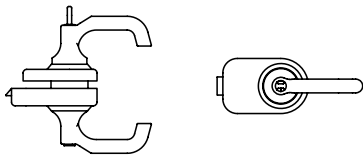
Single Washbasin
 Double Washbasin
 Triple Washbasin



glassDOOR

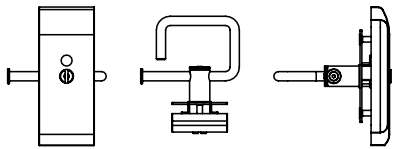
Aluminum handle (silver finish)

- A1 • Key-Key
- A2 • Free-Engaged
- A3 • Key-Pawl Lock



Stainless steel lever

- C1 • Free-Engaged
- C2 • Free-Engaged for people with disabilities



Types of openings

Optional

System with floor spring door closer on double-swing double door:

- Double steel grab bar

System with floor spring door closer on hinged door:

- Single steel grab bar (on the pull side)

Key/Key lock:

- Key/key without spring latch lock for doors with floor spring door closer

Overhead door closer:

- To be assembled on all hinged doors, except I and M

Safety steel grab bar:

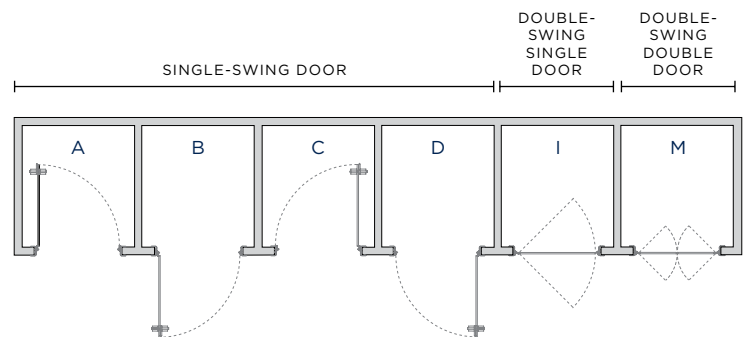
- Safety steel grab bar (to be assembled on hinged doors with outward opening)

Single or double vertical grab bar:

- Stainless steel grab bar (length 18-1/8")

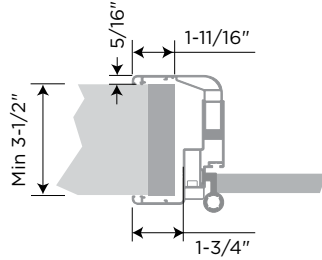
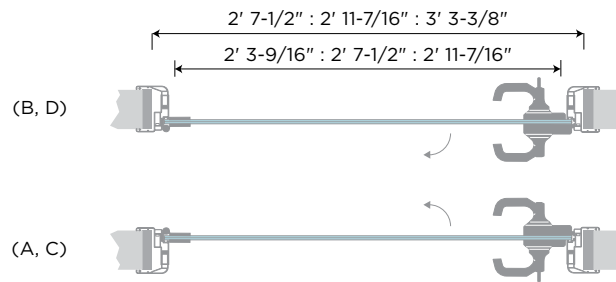
Self-closing spring hinges :

- Hinges with plates in stainless steel and eccentric spring mechanism for door styles A, B, C, D, I and M

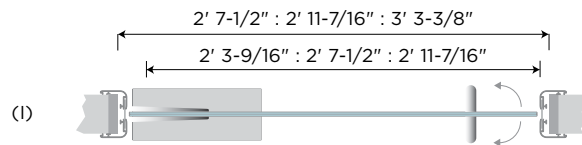


glassDOOR

Single-swing door
with lever handle



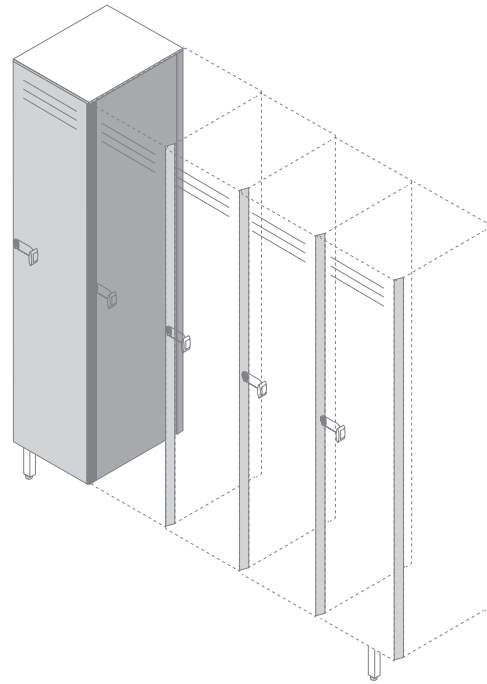
Double-swing double door
with floor door closers
(without lock) and vertical
double handle in steel



LOCKERS

Configuration in columns

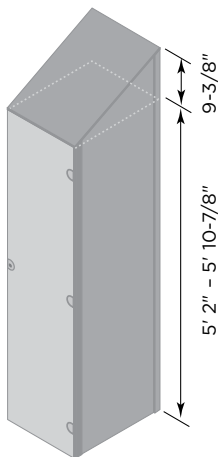
A series of lockers can consist of an "unlimited" number of columns. The total length of a series of lockers is given by the sum of the width of each column plus 7/16" to be added at the beginning and at the end of the series.



Sloped Top

(optional)

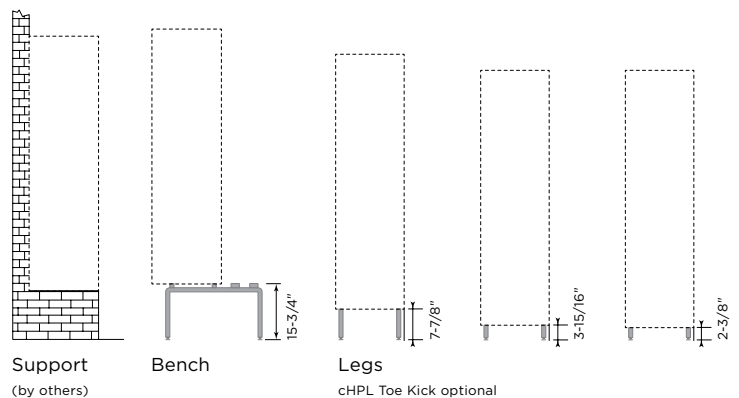
The overall size of the lockers with a sloping hood is increased 9-7/8" in height if compared with the basic model selected.



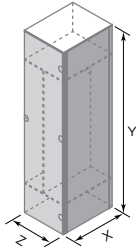
Locker Supports

The different combinations of lockers can be supplied either with no support at all or standing on:

- 2-3/8" legs (standard)
- 3-15/16" legs
- 7-7/8" legs
- 15-3/4" bench

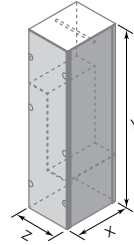


LOCKERS



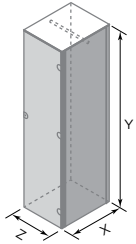
Type A
Single-tier locker with clean/dirty compartments.
Fitted out with hanging rod and 2 clothes hooks.

	A1	A2	A3	A4	A5*	A6*	A7*	A8*
X	1' 7-11/16"	1' 7-11/16"	1' 7-11/16"	1' 7-11/16"	1' 7-11/16"	1' 7-11/16"	1' 7-11/16"	1' 7-11/16"
Y	5' 2"	5' 10-7/8"	5' 2"	5' 10-7/8"	5' 2"	5' 2"	5' 10-7/8"	5' 10-7/8"
Z	11-13/16"	11-13/16"	1' 3-3/4"	1' 3-3/4"	11-13/16"	1' 3-3/4"	11-13/16"	1' 3-3/4"



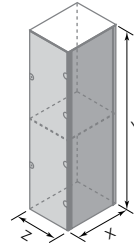
Type F
Z Lockers fitted out with 2 hanging rods and 2 clothes hooks. Available with cHPL doors only.

	F1	F2	F3	F4
X	1' 7-11/16"	1' 7-11/16"	1' 7-11/16"	1' 7-11/16"
Y	5' 2"	5' 10-7/8"	5' 2"	5' 10-7/8"
Z	1' 3-3/4"	1' 3-3/4"	11-13/16"	11-13/16"



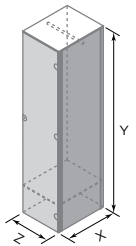
Type B
Single-tier locker fitted out with hanging rod and clothes hook.

	B1	B2	B3	B4	AB5*	B6*	B7*	B8*
X	1' 7-11/16"	1' 7-11/16"	1' 7-11/16"	1' 7-11/16"	1' 7-11/16"	1' 7-11/16"	1' 7-11/16"	1' 7-11/16"
Y	5' 2"	5' 10-7/8"	5' 2"	5' 10-7/8"	5' 2"	5' 2"	5' 10-7/8"	5' 10-7/8"
Z	11-13/16"	11-13/16"	1' 3-3/4"	1' 3-3/4"	11-13/16"	1' 3-3/4"	11-13/16"	1' 3-3/4"



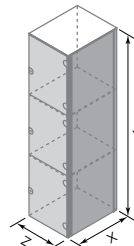
Type G
Double-tier locker fitted out with 2 separate doors, 2 hanging rods and 2 clothes hooks.

	G1	G2	G3	G4
X	1' 7-11/16"	1' 7-11/16"	1' 7-11/16"	1' 7-11/16"
Y	5' 2"	5' 10-7/8"	5' 2"	5' 10-7/8"
Z	1' 3-3/4"	1' 3-3/4"	11-13/16"	11-13/16"



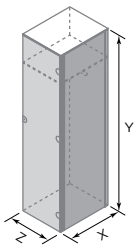
Type C
Single-tier locker fitted out with shoe rack, hanging rod and clothes hook.

	C1	C2	C3	C4	C5*	C6*	C7*	C8*
X	1' 7-11/16"	1' 7-11/16"	1' 7-11/16"	1' 7-11/16"	1' 7-11/16"	1' 7-11/16"	1' 7-11/16"	1' 7-11/16"
Y	5' 2"	5' 10-7/8"	5' 2"	5' 10-7/8"	5' 2"	5' 2"	5' 10-7/8"	5' 10-7/8"
Z	11-13/16"	11-13/16"	1' 3-3/4"	1' 3-3/4"	11-13/16"	1' 3-3/4"	11-13/16"	1' 3-3/4"



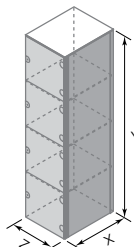
Type H
Three-tier locker with 3 doors.

	H1	H2	H3	H4
X	1' 7-11/16"	1' 7-11/16"	1' 7-11/16"	1' 7-11/16"
Y	5' 2"	5' 10-7/8"	5' 2"	5' 10-7/8"
Z	1' 3-3/4"	1' 3-3/4"	11-13/16"	11-13/16"



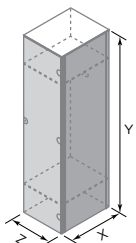
Type D
Single-tier locker fitted out with shelf, hanging rod and clothes hook.

	D1	D2	D3	D4	D5*	AD6*	D7*	D8*
X	1' 7-11/16"	1' 7-11/16"	1' 7-11/16"	1' 7-11/16"	1' 7-11/16"	1' 7-11/16"	1' 7-11/16"	1' 7-11/16"
Y	5' 2"	5' 10-7/8"	5' 2"	5' 10-7/8"	5' 2"	5' 2"	5' 10-7/8"	5' 10-7/8"
Z	11-13/16"	11-13/16"	1' 3-3/4"	1' 3-3/4"	11-13/16"	1' 3-3/4"	11-13/16"	1' 3-3/4"



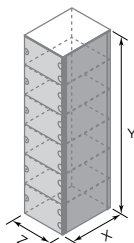
Type I
Four-tier locker with 4 doors.

	I1	I2	I3	I4
X	1' 7-11/16"	1' 7-11/16"	1' 7-11/16"	1' 7-11/16"
Y	5' 2"	5' 10-7/8"	5' 2"	5' 10-7/8"
Z	1' 3-3/4"	1' 3-3/4"	11-13/16"	11-13/16"



Type E
Single-tier locker fitted out with hanging rod and clothes hook.

	E1	E2	E3	E4	E5*	E6*	E7*	E8*
X	1' 7-11/16"	1' 7-11/16"	1' 7-11/16"	1' 7-11/16"	1' 7-11/16"	1' 7-11/16"	1' 7-11/16"	1' 7-11/16"
Y	5' 2"	5' 10-7/8"	5' 2"	5' 10-7/8"	5' 2"	5' 2"	5' 10-7/8"	5' 10-7/8"
Z	11-13/16"	11-13/16"	1' 3-3/4"	1' 3-3/4"	11-13/16"	1' 3-3/4"	11-13/16"	1' 3-3/4"



Type L
Six-tier locker with 6 doors.

	L1	L2	L3	L4
X	1' 7-11/16"	1' 7-11/16"	1' 7-11/16"	1' 7-11/16"
Y	5' 2"	5' 10-7/8"	5' 2"	5' 10-7/8"
Z	1' 3-3/4"	1' 3-3/4"	11-13/16"	11-13/16"

* Optional air circulation system