

glassSHELVES > Offer a simple way to display mementoes in a private office or conference room that match the same color options available on CARVART glassBOARDS and glassTOPS. glassSHELVES are easy to mount almost anywhere, using our shelf brackets, creating a coordinated look in the space. Mounted in a standalone application or above one another, they define the wall with easy access.

GLASS

Low-Iron Tempered.

GLASS FINISHES

Opaque (B) and Transparent (L) glass.

SURFACES

Smooth Glass (S) and Etched (E). Polished or Ground Etched edges with eased 1/8" chamfer corner details.

THICKNESS

1/4" and 3/8"

STANDARD WIDTHS (inches):

18, 24, 30, and 36

STANDARD DEPTH (inches):

6

MOUNTING OPTIONS

Mount using Shelf Brackets.
Ordered separately.

HARDWARE FINISHES

Shelf Brackets — Aluminum (AL), Bronze (BR),
Matte Black (BL), Titanium (TT) and Satin Gold (SG).

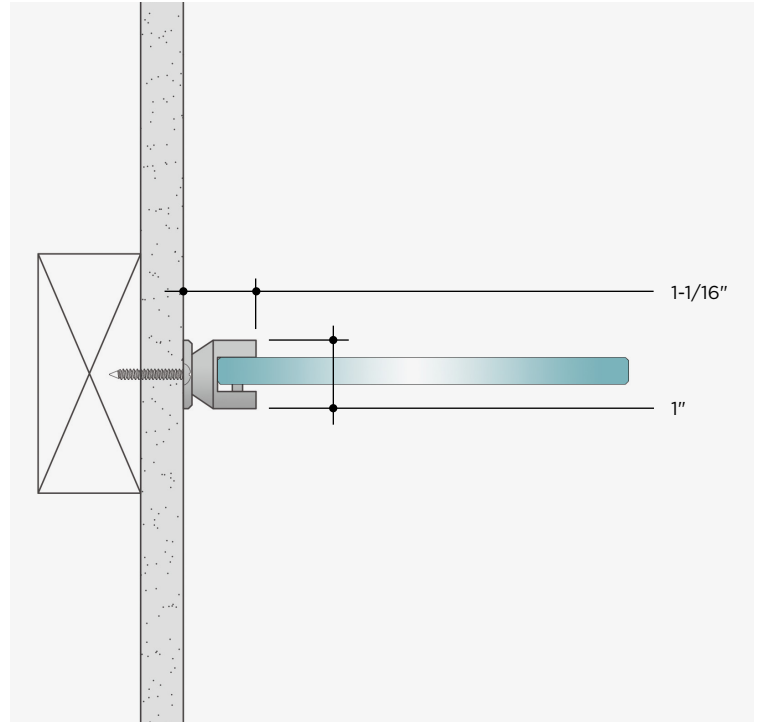
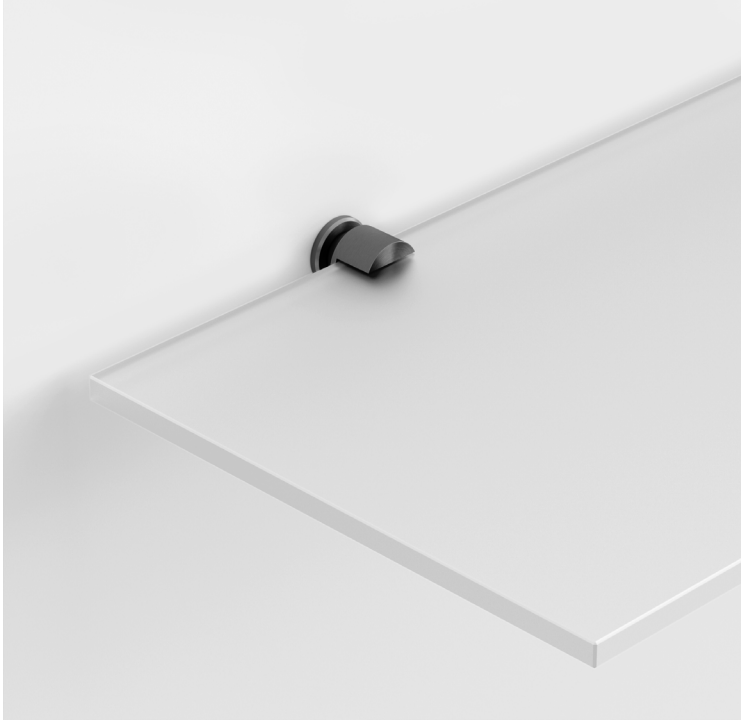
CUSTOMIZATION

Special sizes or finishes available upon request.

WARRANTY

10-year product assurance.

Details



Section

FASTENER ANCHORING DIRECTLY TO STRUCTURAL
BLOCKING – NOT PROVIDED BY CARVART

**CARVART IS NOT RESPONSIBLE FOR ANY
PULL-OUT OR DAMAGE FROM INADEQUATE
ANCHORING IN WALL OR BACKER ASSEMBLIES

**CARVART WILL NOT REPLACE DAMAGED
OR BROKEN PRODUCTS THAT RESULT
FROM FALLING OR INADEQUATE ANCHORING;
CARVART IS NOT RESPONSIBLE FOR ANY
ANCHORING OR INSTALLATION

Surfaces

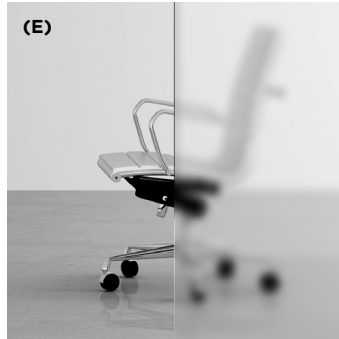
Smooth (S) is the most common characteristic of clear glass, prominent in all aspects of everyday life.

- Writable with erasable markers.
- Normal expected glare and fingerprinting.
- Reflective.
- Non-oil absorbing.
- Suggested for horizontal and vertical applications.
- Cleans easily with common glass cleaners.

Opaque



Transparent



Etch (E) is a smudge-proof glass surface that is slightly-abraded and allows for a high degree of light transmission. Its pleasant diffusing of light and imaging through the glass can aid privacy in environments.

- NON-Writable.
- Glare and fingerprints are minimized.
- Uniform frosted appearance.
- Non-oil absorbing.
- For horizontal and vertical applications.
- Cleans easily with common glass cleaners at a more occasional rate than Smooth glass.

Edges

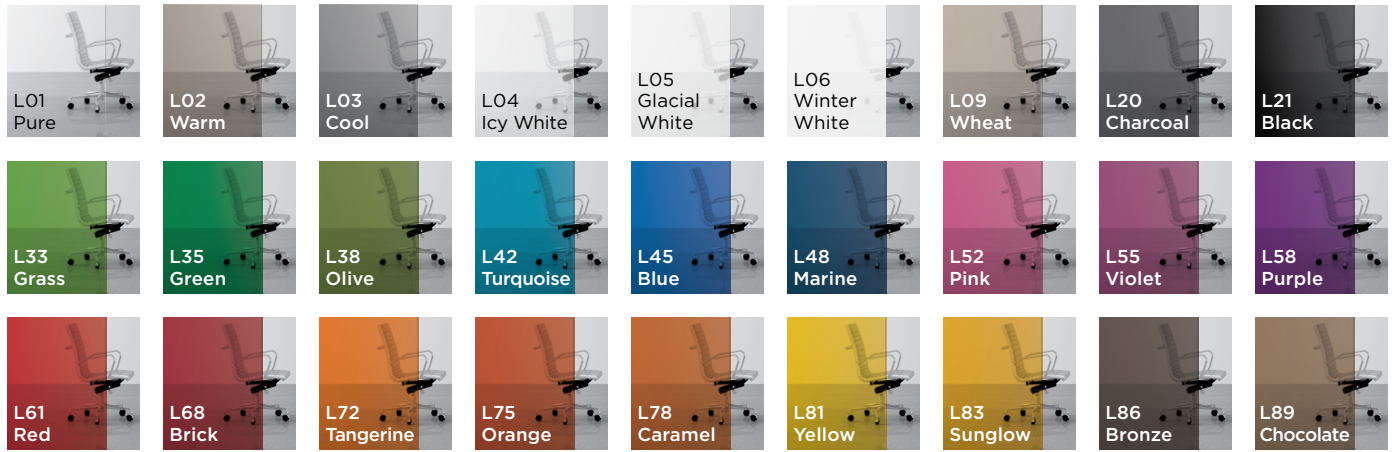


Polished Edge

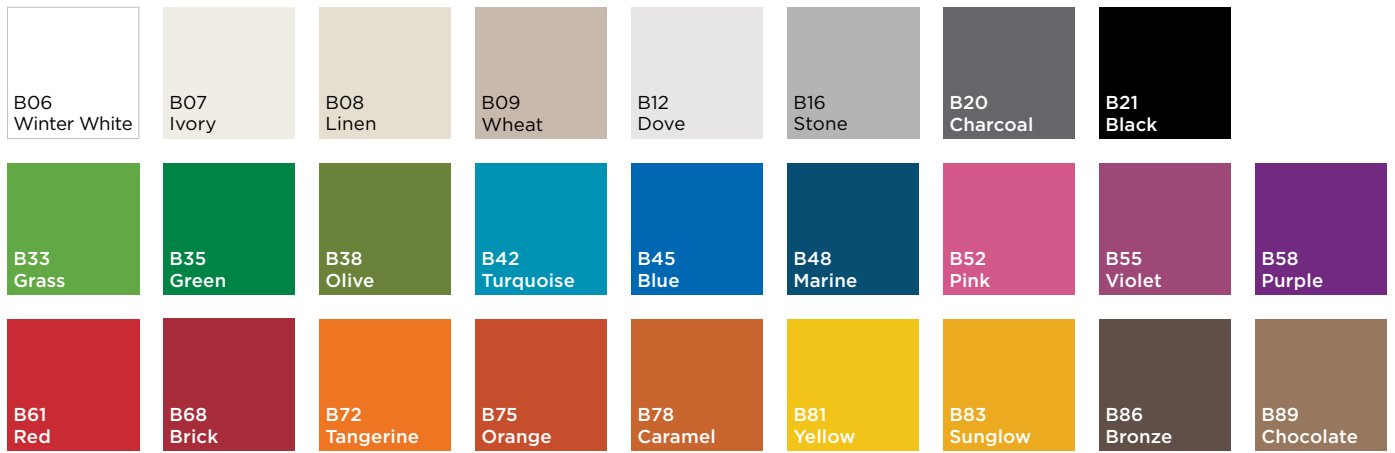


Ground Edge (Optional)

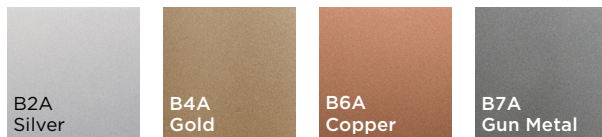
Transparent Glass



Opaque Glass



Opaque Glass Metallics



Hardware

