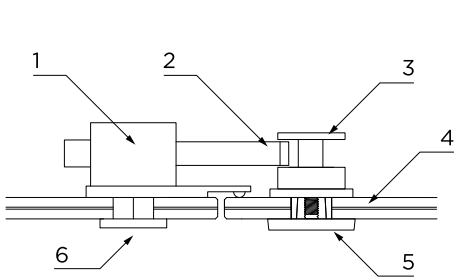


Cab 700

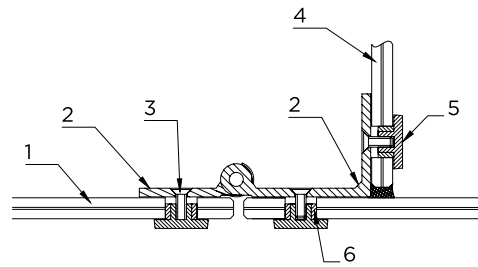


DETAILS

A

Cab 700 Lock Detail

- 1 - Lock body
- 2 - Lock finger
- 3 - Adjustable lock receiver
- 4 - 7/16" tempered and laminated, low-iron glass
- 5 - Rosette
- 6 - Privacy indicator



B

Cab 700 Hinge Detail

- 1 - Door
- 2 - Hinge bracket
- 3 - Screw
- 4 - Partition panel
- 5 - Rosette
- 6 - Nylon insert

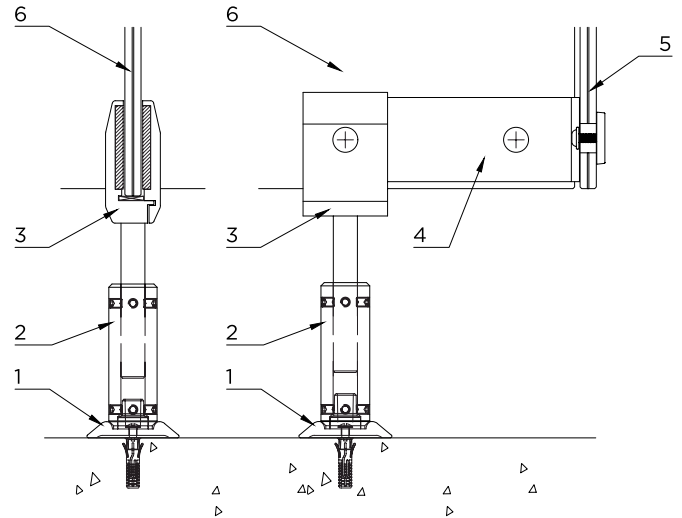
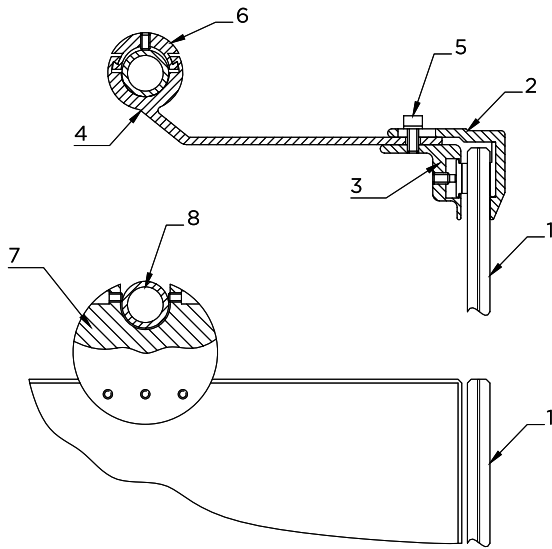


Door Lock



Door Hinge

Cab 700



DETAILS

C

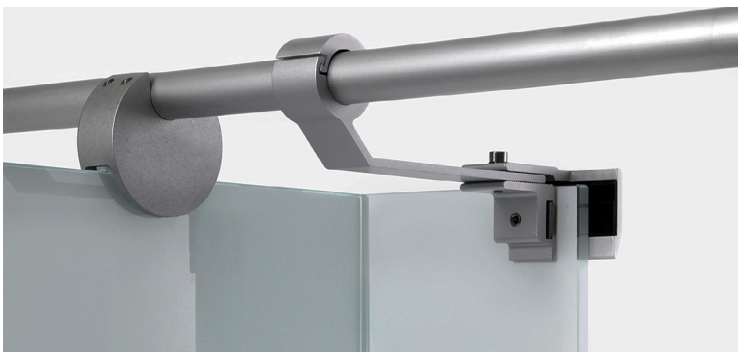
Cab 700 Stabilization Bar Detail

- 1 - Pilaster
- 2 - Door stop front clamp
- 3 - Door stop rear clamp
- 4 - Shock bracket
- 5 - Socket head screw
- 6 - Stabilization bar top clamp
- 7 - Partition panel bracket
- 8 - Stabilization bar

D

Cab 700 Leg Detail

- 1 - Anchor cover
- 2 - Aluminum leg (adjustable)
- 3 - Clamping bracket (divider)
- 4 - Angle bracket
- 5 - Pilaster
- 6 - Partition panel



Stabilization Bar



Adjustable Leg