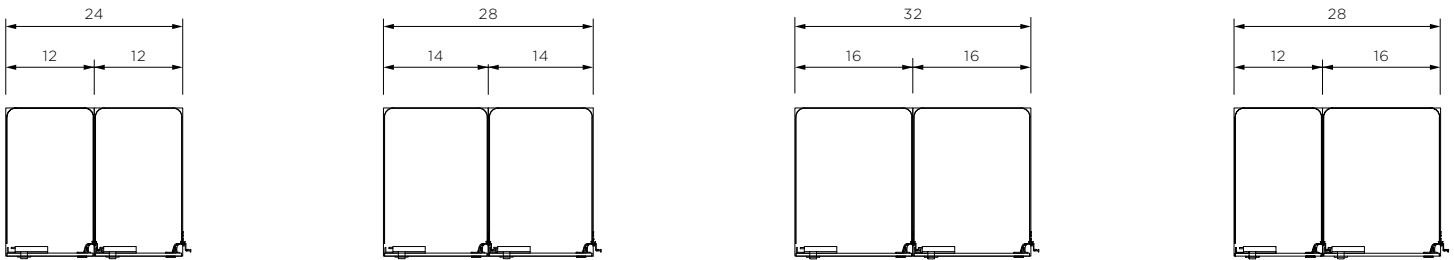
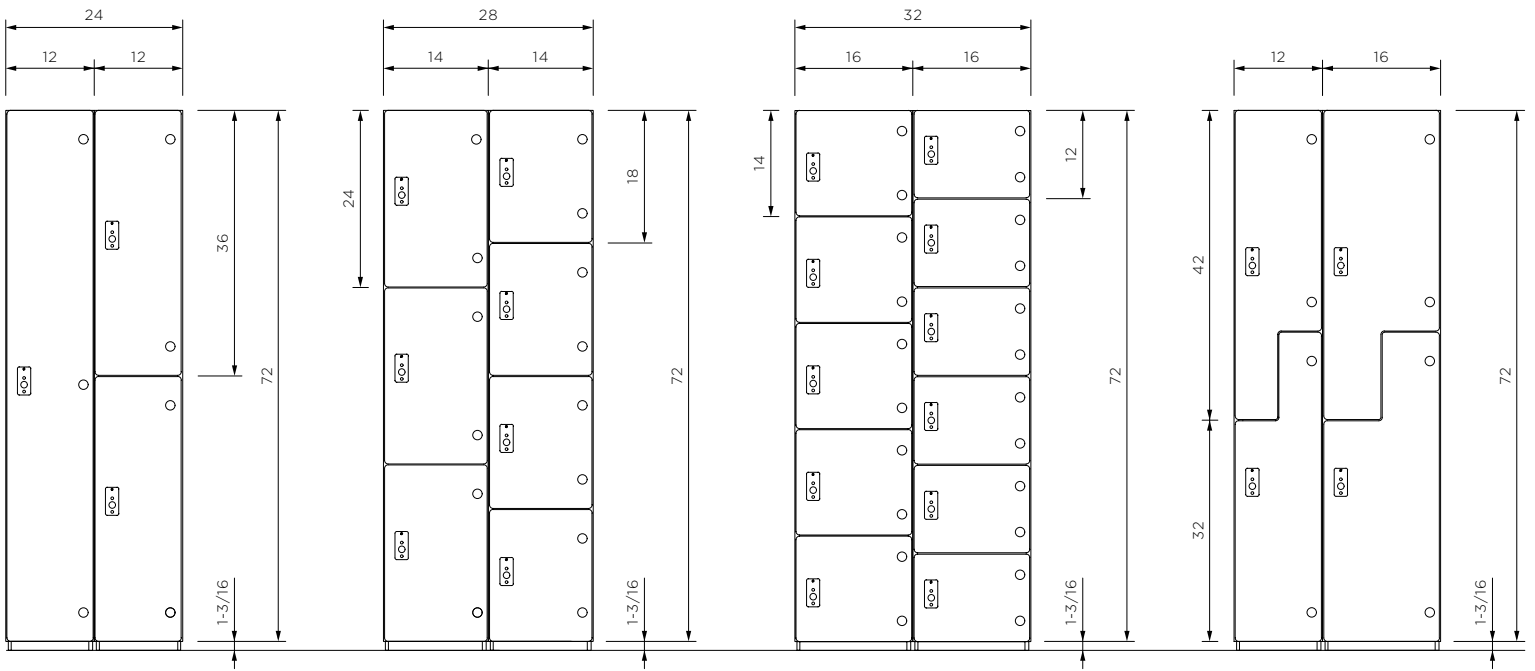


# Details

(inches)



Locker plans



Generic locker front elevations  
12" wide (various tierage)

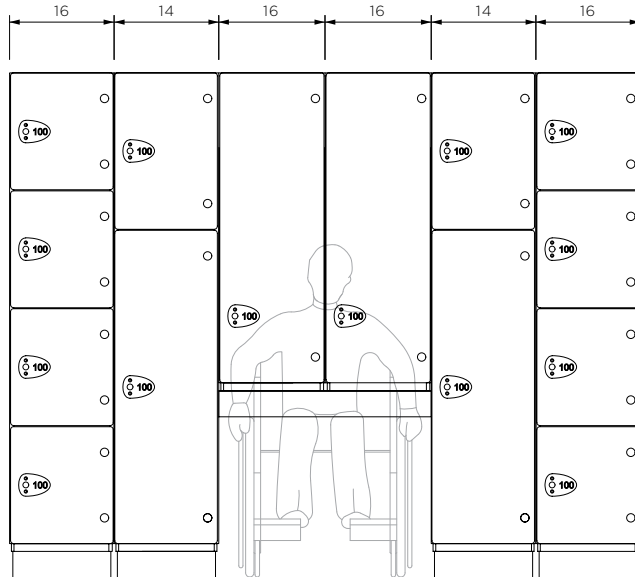
14" wide (various tierage)

16" wide (various tierage)

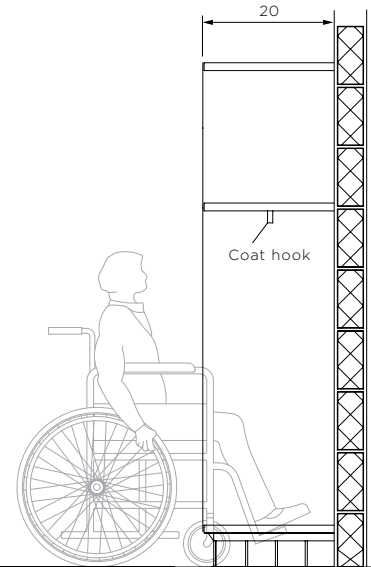
Generic 'Z' locker front elevation  
12" and 16" wide

# Details

(inches)

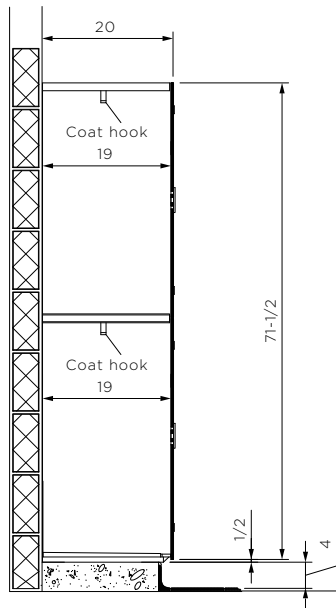


Accessible lockers elevation

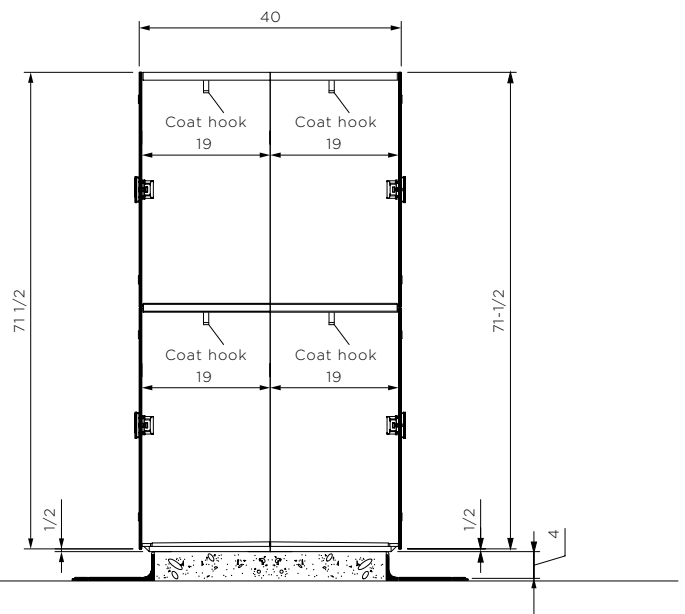


Typical Section

Accessible lockers section



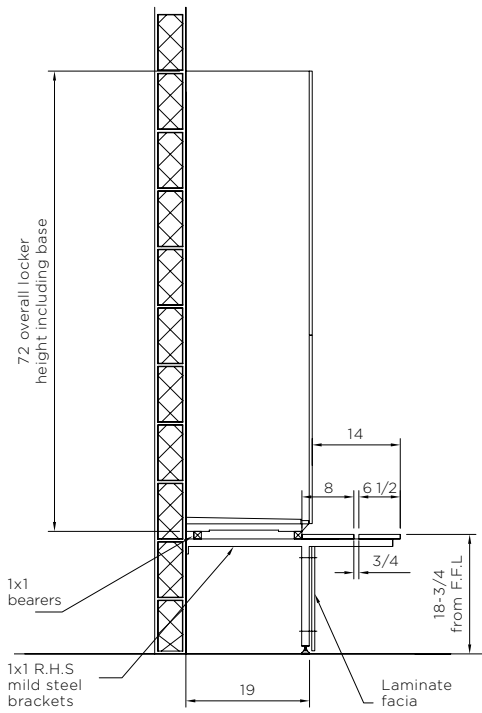
Generic locker side elevation



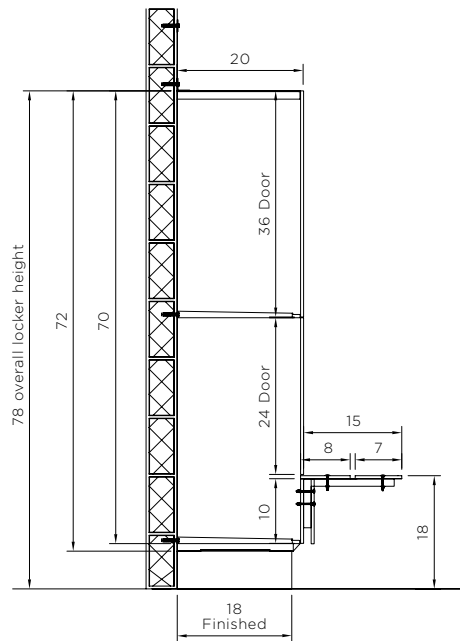
Back to back lockers side elevation

# Details

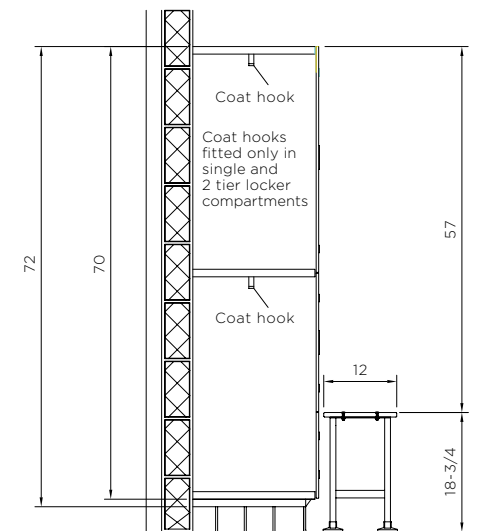
(inches)



**Section detail**  
Locker support bench seating



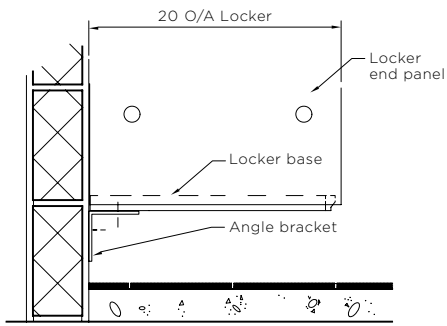
**Section detail**  
Welled locker with cantilevered bench



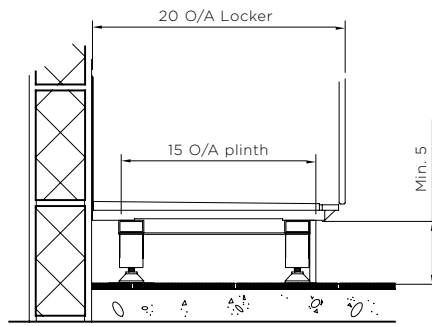
**Section detail**  
Welled locker with floor mounted bench

# Details

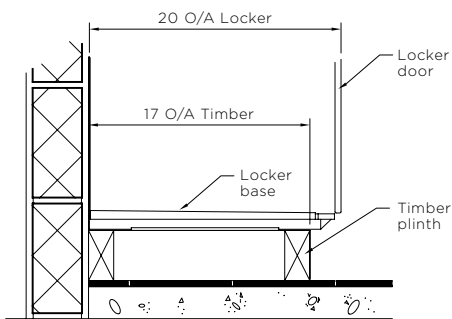
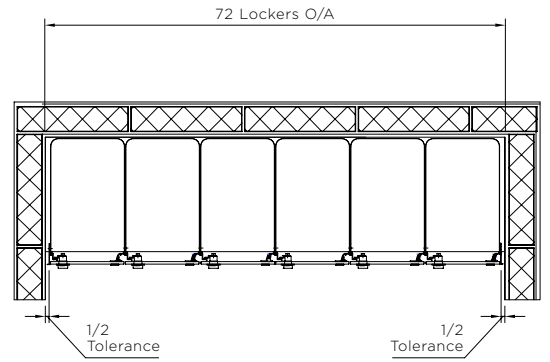
(inches)



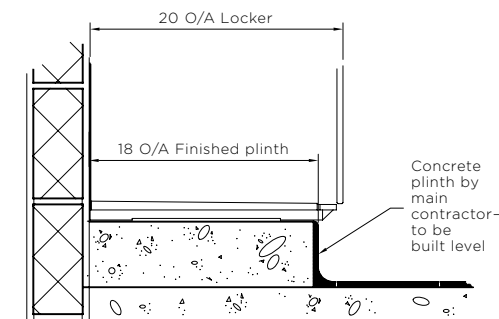
Angle bracket option



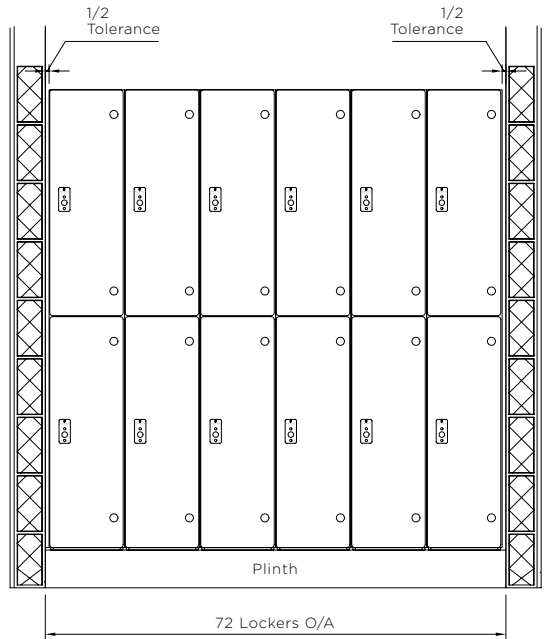
Aluminum frame plinth option



Timber plinth option



Concrete plinth option



Locker tolerance between walls