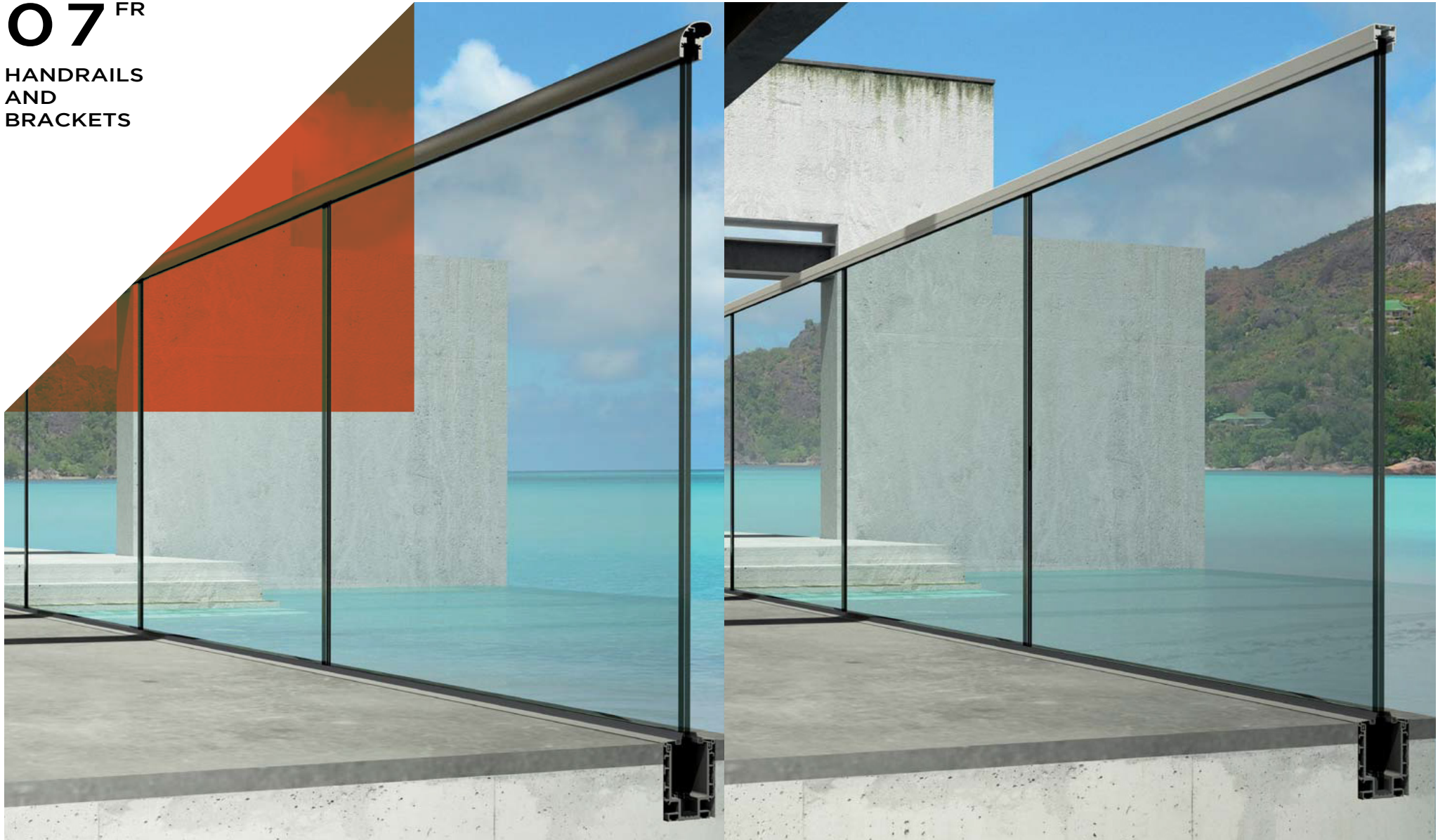


# 07<sup>FR</sup>

HANDRAILS  
AND  
BRACKETS





#### INDEX

B-3010/B-3020  
03 GLASS PROFILES  
04 DETAILS

V-065/V-066  
08 PROFILES AND DETAILS

#### HANDRAILS

GLASS HANDRAILS CAN BE INCORPORATED INTO ALMOST ANY APPLICATION. RAILINGS CAN BE MOUNTED INTO THE SIDE OR TOP OF STRUCTURE, OR CAN BE SUSPENDED USING OUR SPECIALLY DESIGNED ADJUSTABLE POINT FITTINGS. OUR STRUCTURAL LAMINATED GLASS MEETS AND EXCEEDS THE DEMANDING BUILDING CODES AND PROVIDES SAFETY EVEN WITHOUT A TOP RAIL. CARVART RAILINGS COMBINE SOPHISTICATED TECHNOLOGY WITH AN OPTICALLY APPEALING AND DELICATE APPEARANCE.

#### THICKNESS

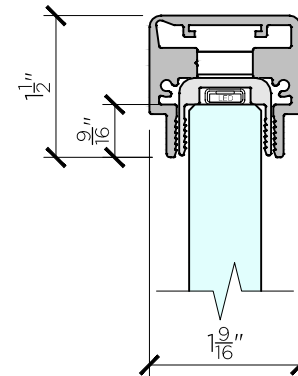
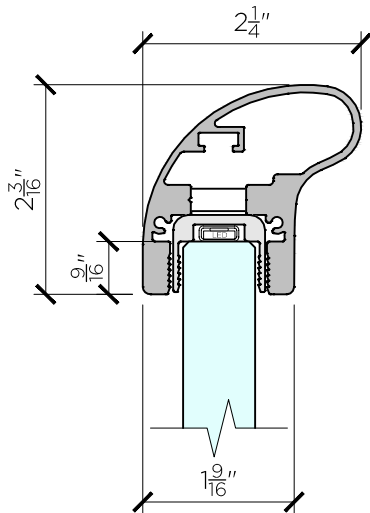
3/4"

#### GLASS TYPE

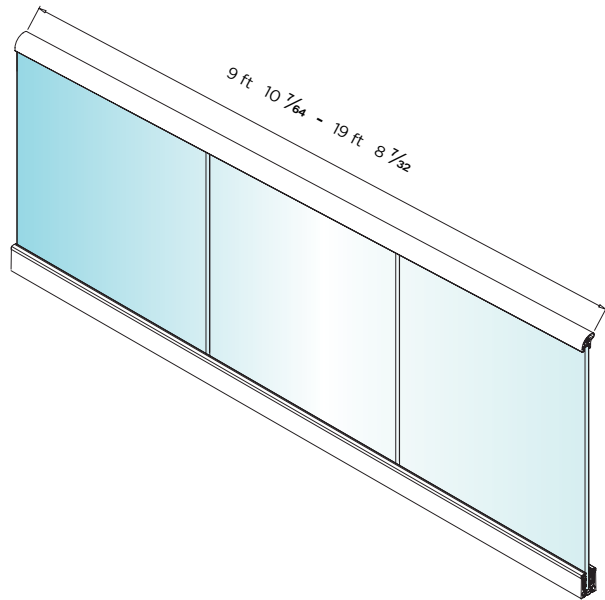
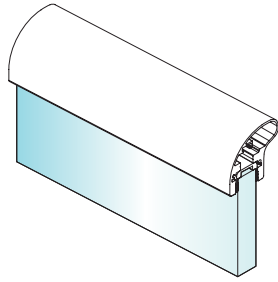
TEMPERED OR TEMPERED LAMINATED

B-3010 ROUNDED

B-3020 SQUARE



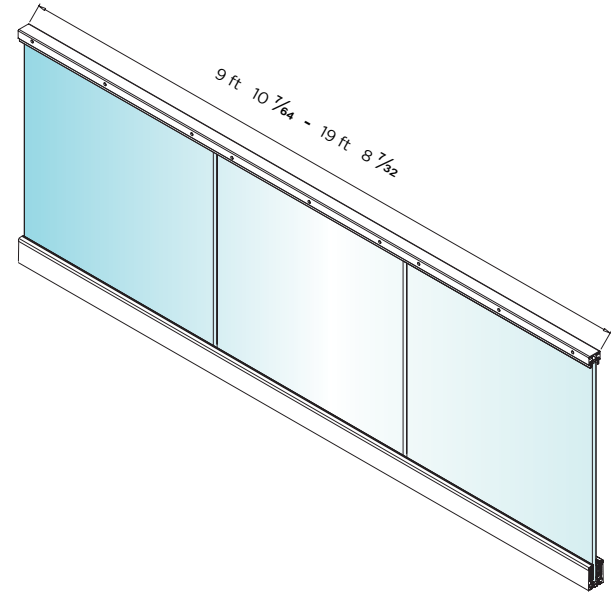
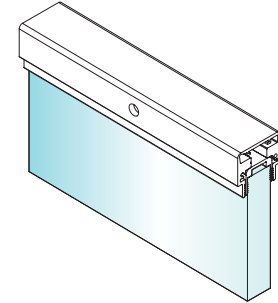
B-3010



ALUMINUM HANDRAIL SYSTEMS,  
OPTION LED



B-3020



ALUMINUM HANDRAIL SYSTEMS,  
OPTION LED



# 07<sup>FR</sup>

BRACKETS







**INDEX**

V-065/V-066  
08 PROFILES AND DETAILS

**BRACKETS**

BRACKETS ARE EXPOSED OR CONCEALED FOR HEAVY DUTY GLASS RAILING APPLICATIONS.

**THICKNESS**

3/4"

**GLASS TYPE**

TEMPERED OR TEMPERED LAMINATED

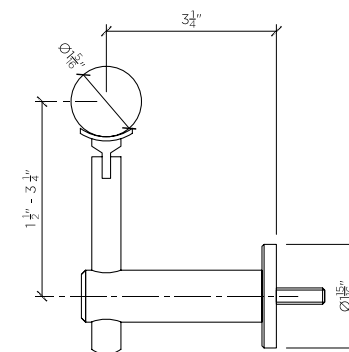
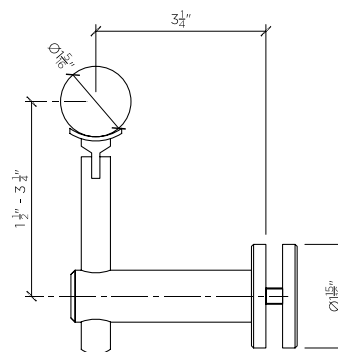
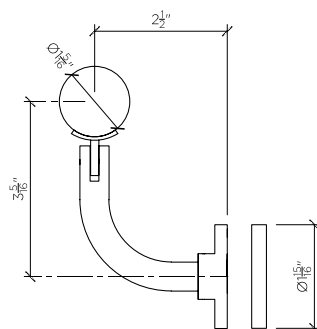
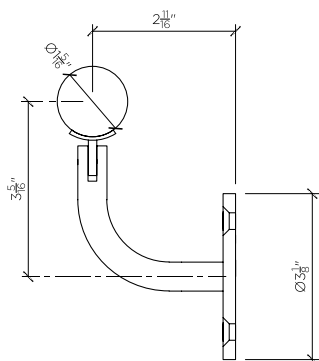
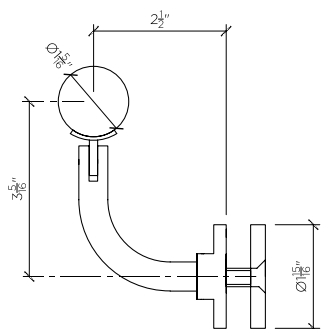
V-065-1

V-065-2

V-065-3

V-066-1

V-065-2



ADJUSTABLE HANDRAIL  
BRACKET FOR GLASS  
ASSEMBLY FOR TUBE  
1 1/32" - GLASS HOLE 25/32"

ADJUSTABLE HANDRAIL  
BRACKET FOR WALL -  
FOR TUBE 1 1/32"

ADJUSTABLE HANDRAIL  
BRACKET FOR GLASS  
ASSEMBLY WITH UV-A  
GLUE - FOR TUBE 1 1/32"

ADJUSTABLE HANDRAIL  
BRACKET FOR GLASS  
ASSEMBLY WITH  
FLEXIBLE HEIGHT  
ADJUSTMENT - FOR TUBE  
1 1/32" - GLASS HOLE 25/32"

ADJUSTABLE HANDRAIL  
BRACKET FOR WALL  
WITH FLEXIBLE HEIGHT  
ADJUSTMENT FOR TUBE  
1 1/32" - GLASS HOLE 25/32"