





INDEX

AURA

The Sliding Stackable Wall
Home/Office

AURA ZIP

The Glass Folding Wall
Restaurant/Office

HARMONIC

The Wood Folding Wall
Home/Office

AIR

The Sliding Partition
Home/Office

AURA



AURA is a top hung sliding and stacking movable wall which adds value and flexibility to spaces; combining aesthetics and versatility. Working from your home office is now very simple thanks to the uniqueness of AURA: a light and elegant product that can quickly disappear, transforming the surrounding environments according to any needs.

Profile:
Brown soil varnished

Glass:
Bronze laminated



36 mm
~1.4"



MAX 3000 mm
~120"



MAX 1000 mm
~40"



Exposed or
Flush Track



No floor guide



25 kg/sqm
~5 lbs/sqft

AURA



AURA



AURA



AURA adds design to the home environment, with precious materials and finishes, making space flexible and in constant movement. Aurea slides on a single guide only on the ceiling; it moves and can be stacked, reconfiguring the room according to different needs.

Profile:
Brown soil varnished

Glass:
Bronze laminated



36 mm
~1.4"



MAX 3000 mm
~120"



MAX 1000 mm
~40"



Exposed or
Flush Track



No floor guide



25 kg/sqm
~5 lbs/sqft

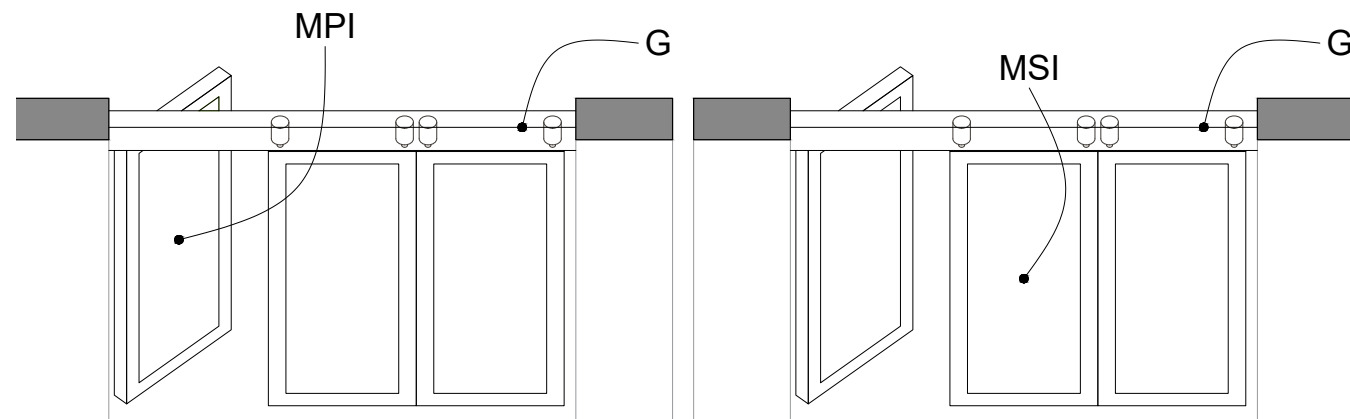
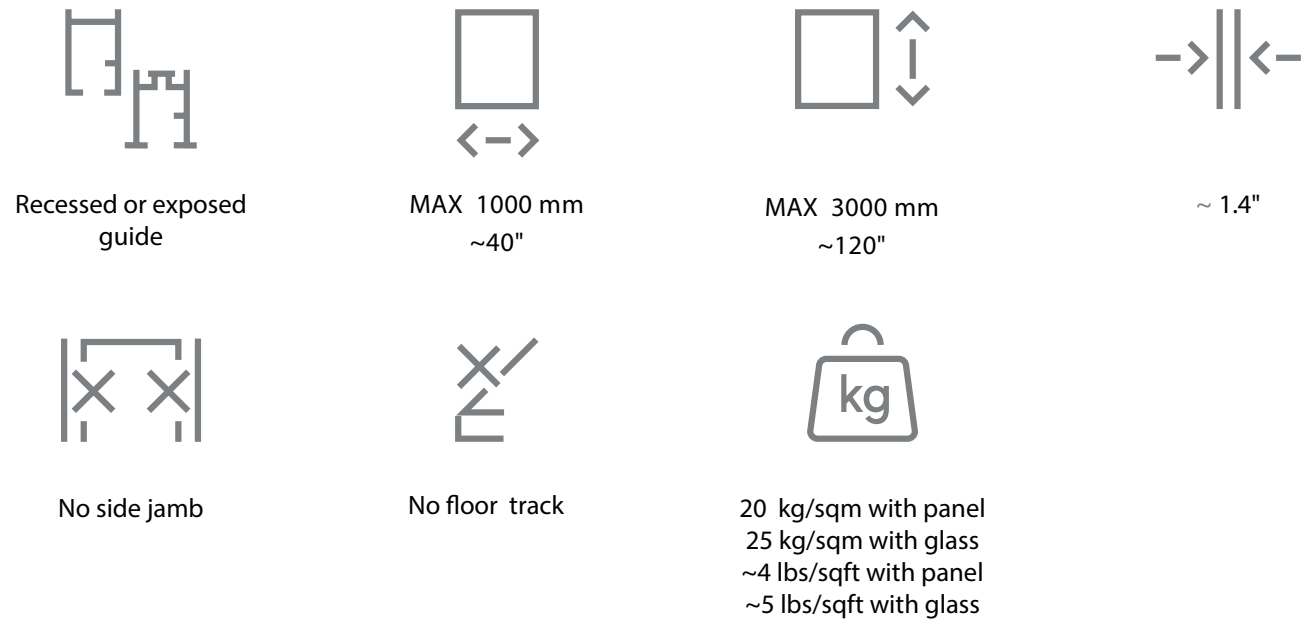
AURA



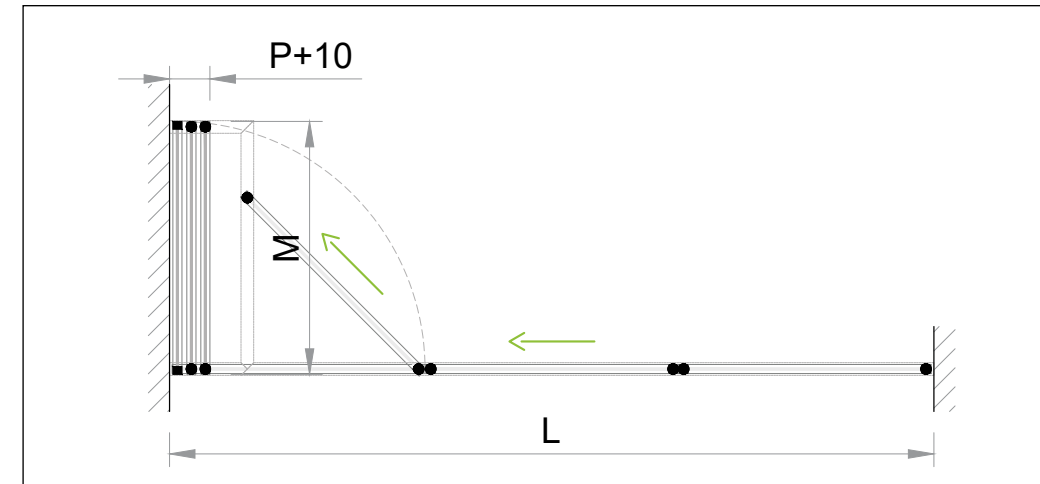
AURA



AURA

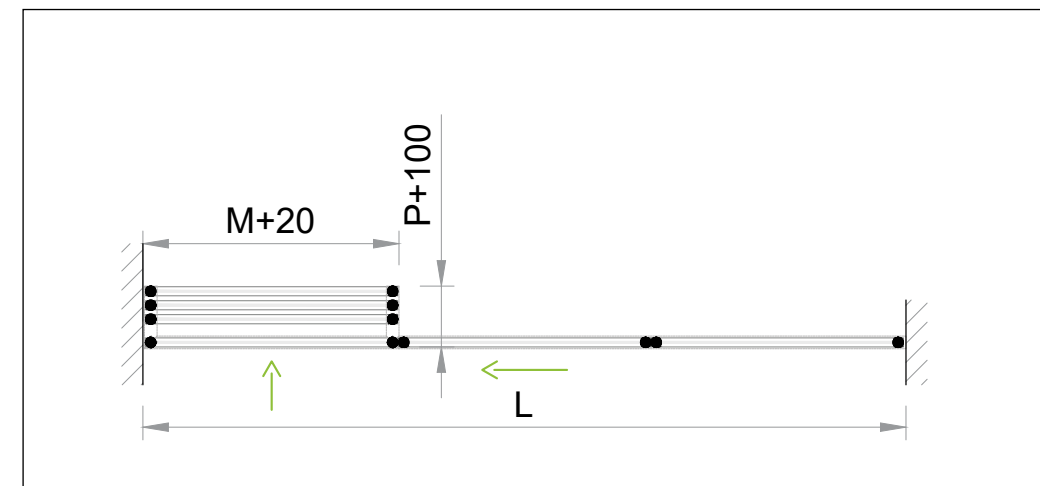


G= Guide
MPI= Hinged Door Module
MSI= Sliding Door Module



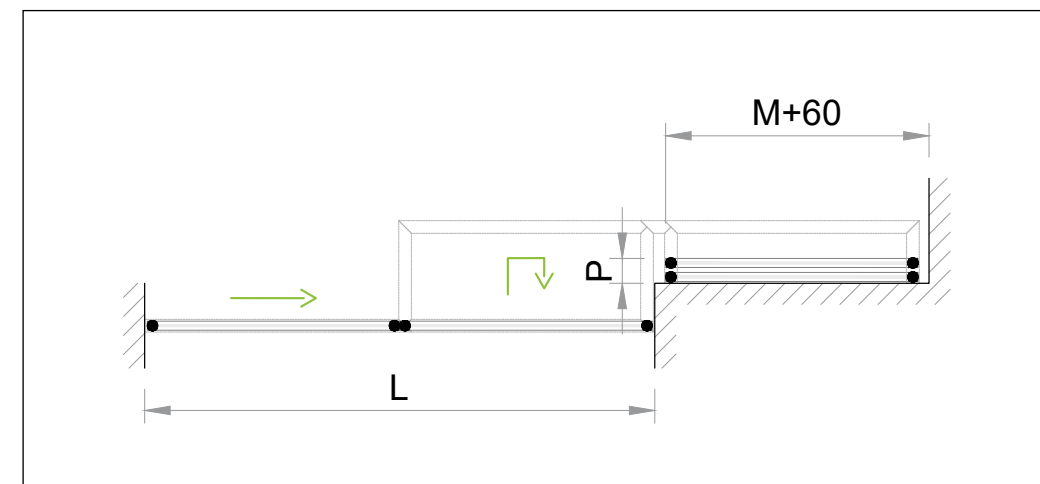
Type B storage

L= Wall length
P= No. of modules x 41 mm
Max module width 1000 mm



Type C storage

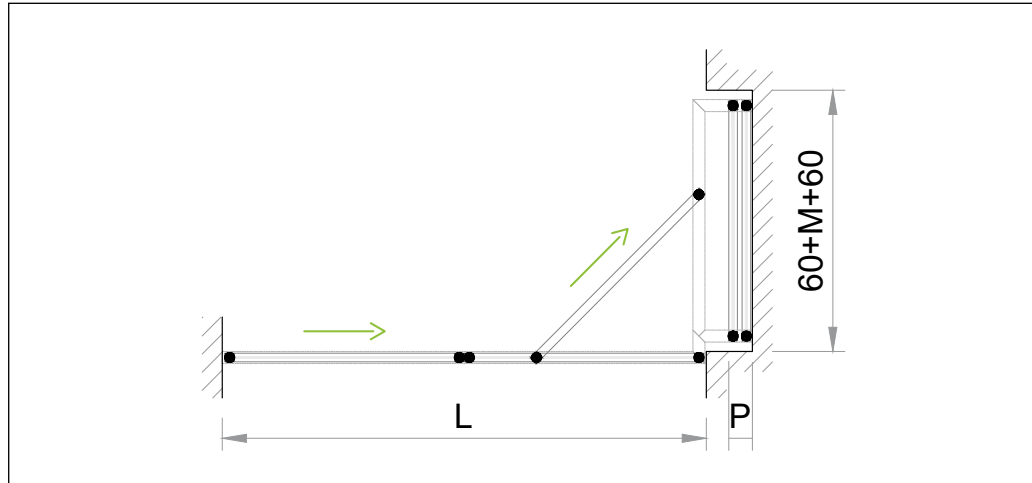
L= Wall length
P= No. of modules x 41 mm
Max module width 1000 mm



Type D storage

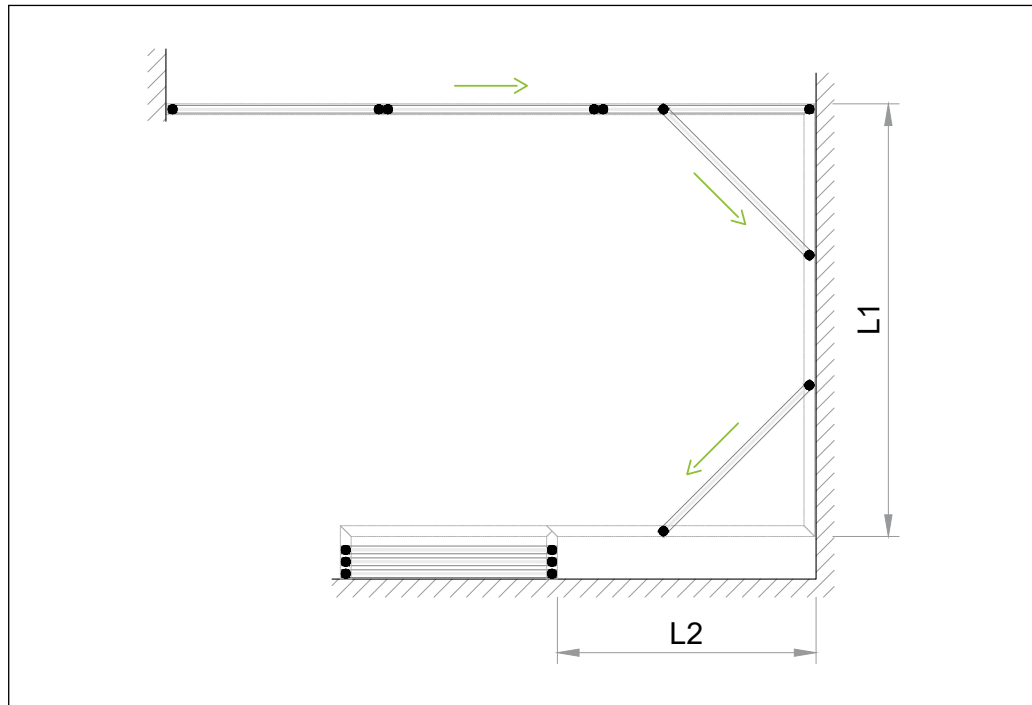
L= Wall length
P= No. of modules x 41 mm
Max module width 1000 mm

AURA



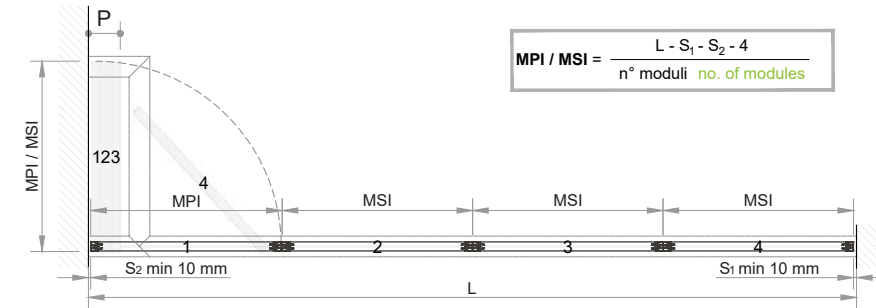
Type G storage

L= Wall length
 P= No. of modules x 41 mm
 Max module width 1000 mm

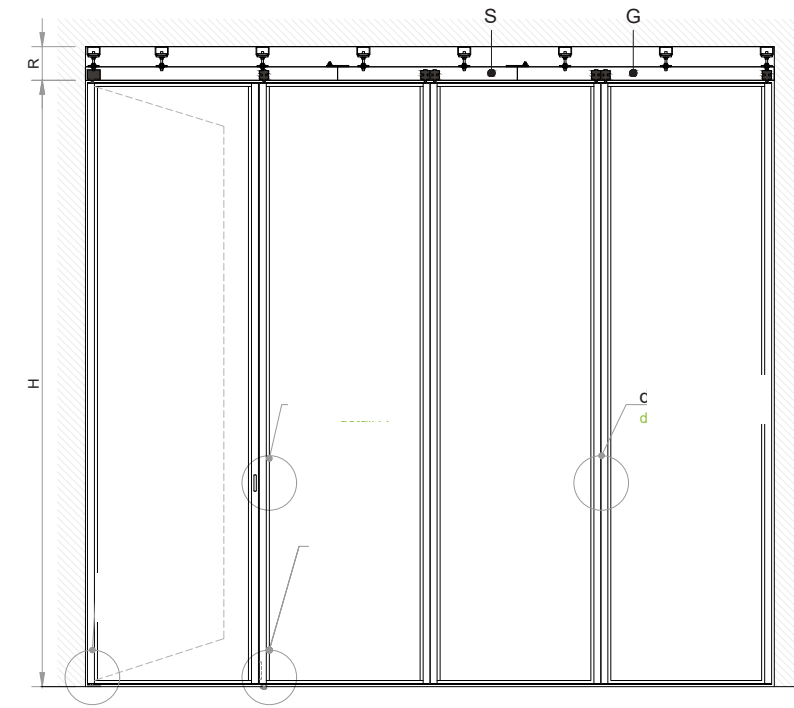


Customized storage

Ls= L1 + L2
 Additional storage guide



L= Opening width (mm)
 P= Nr. of modules x 41 mm
 MPI / MSI= Module width (mm)



R= Lowering system height
 G= Recessed guide
 S= Removable part of guide
 H= Partition height

Modules' joint

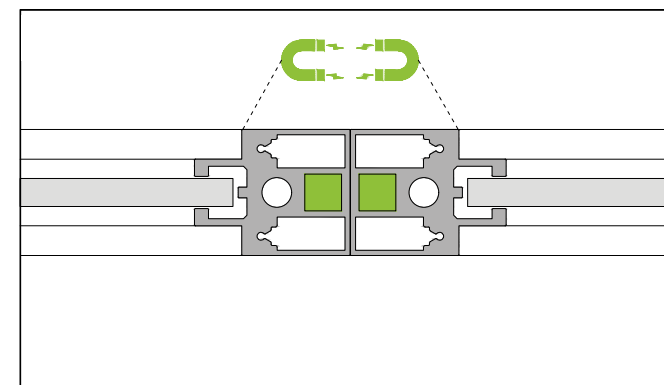
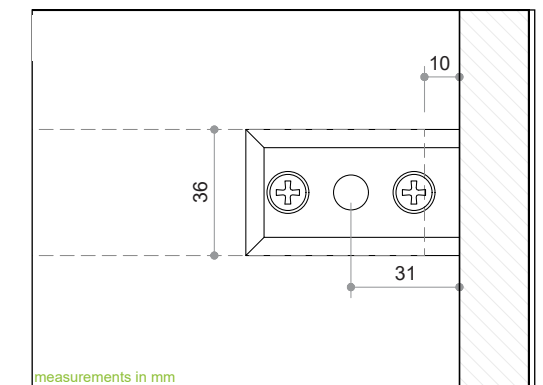


Plate fixed on finished floor (MPI)



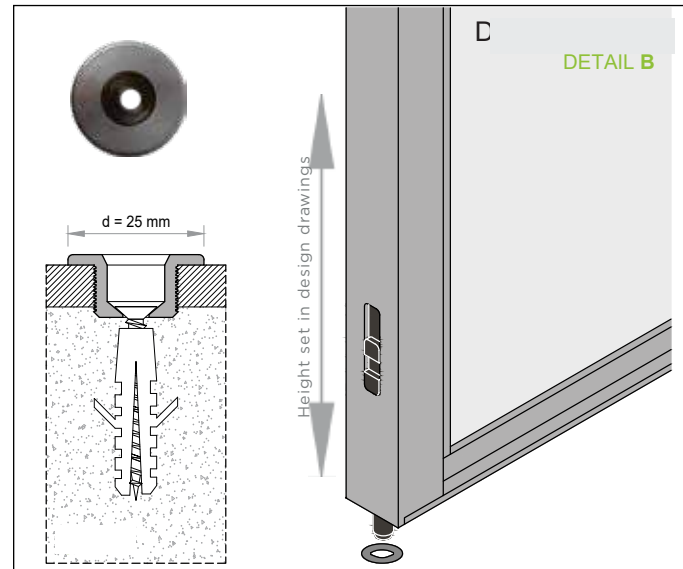
AURA

DETAILS

Grooved handle on both sides of the door module

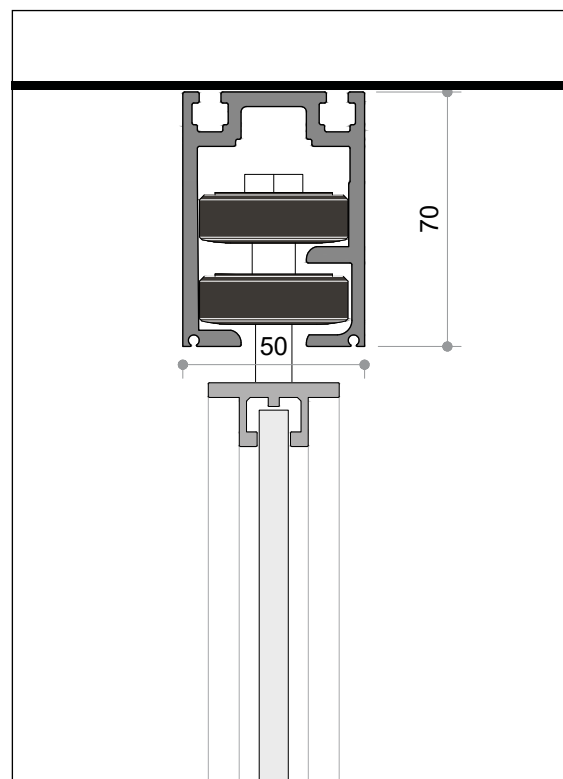


Flushbolt fitted into floor mounted bush

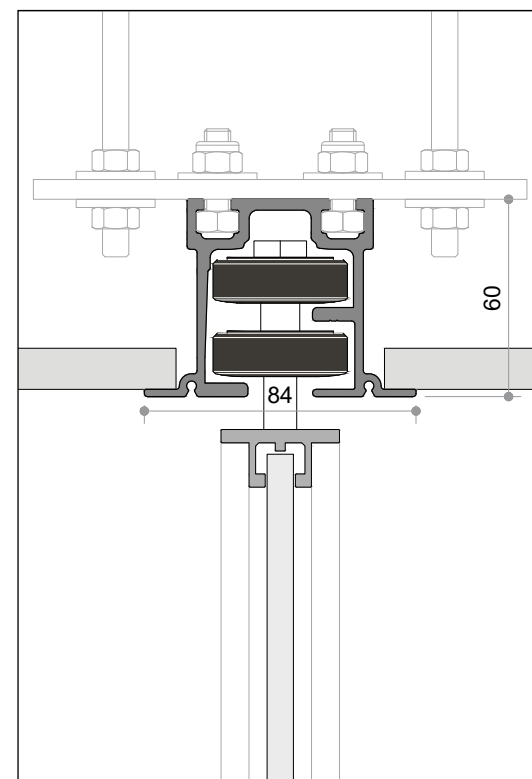


TYPES OF TOP GUIDES

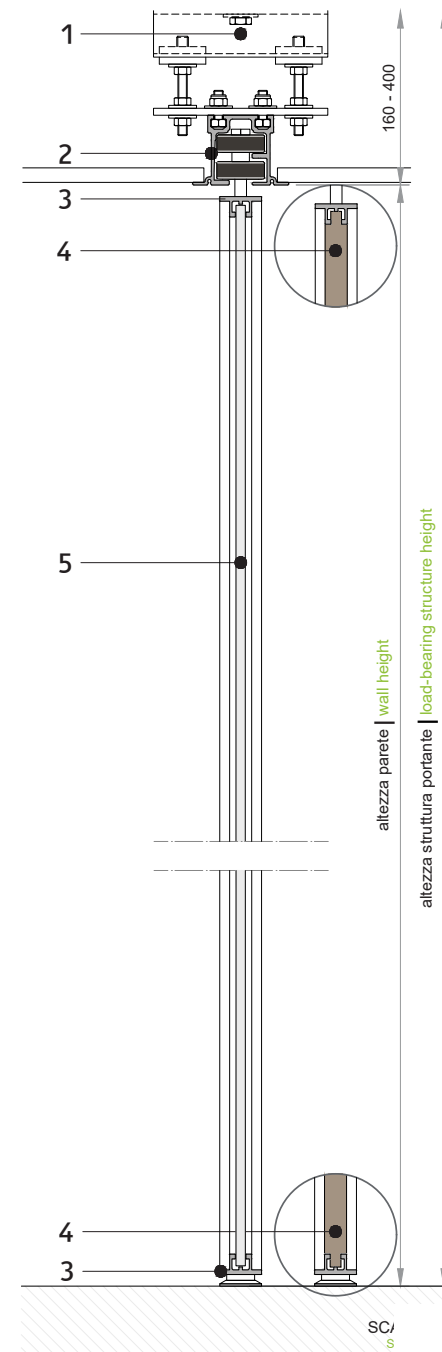
Exposed guide in white RAL9010 20/30 gloss



Recessed guide in white RAL 9010 20/30 gloss



SECTION WITH RECESSED GUIDE



1. Fixing system included
2. Recessed guide in aluminum
3. Aluminum top/bottom profile
4. Laminated wood panel
5. Laminated glass

Recessed Guide white varnished RAL 9010 20/30 gloss

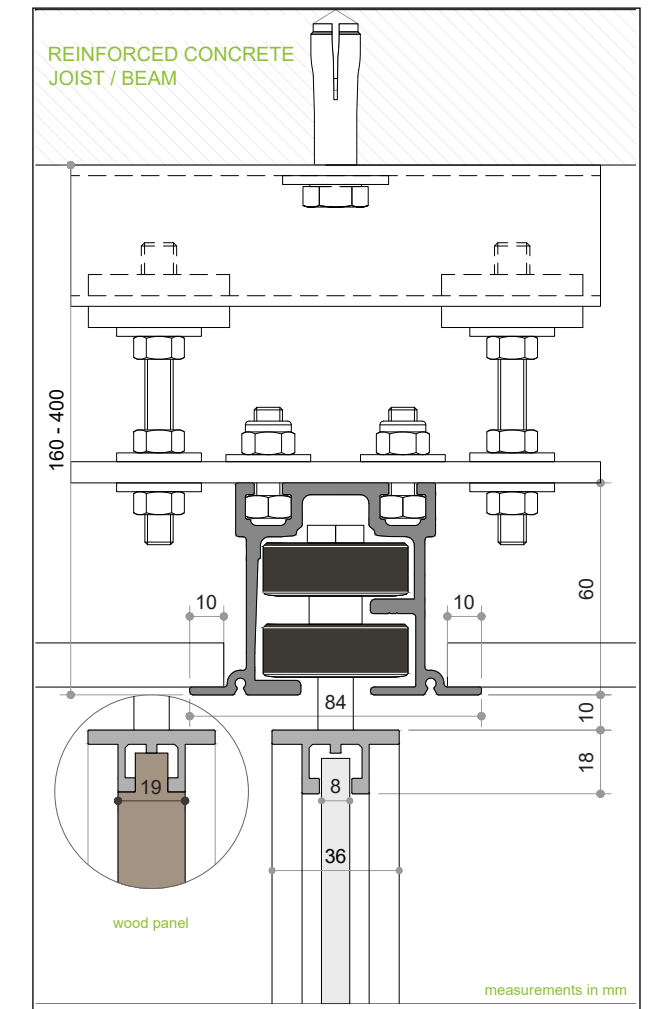
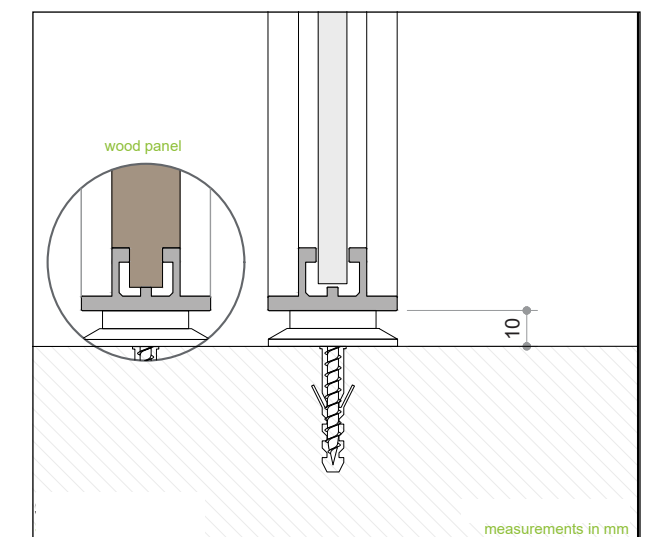
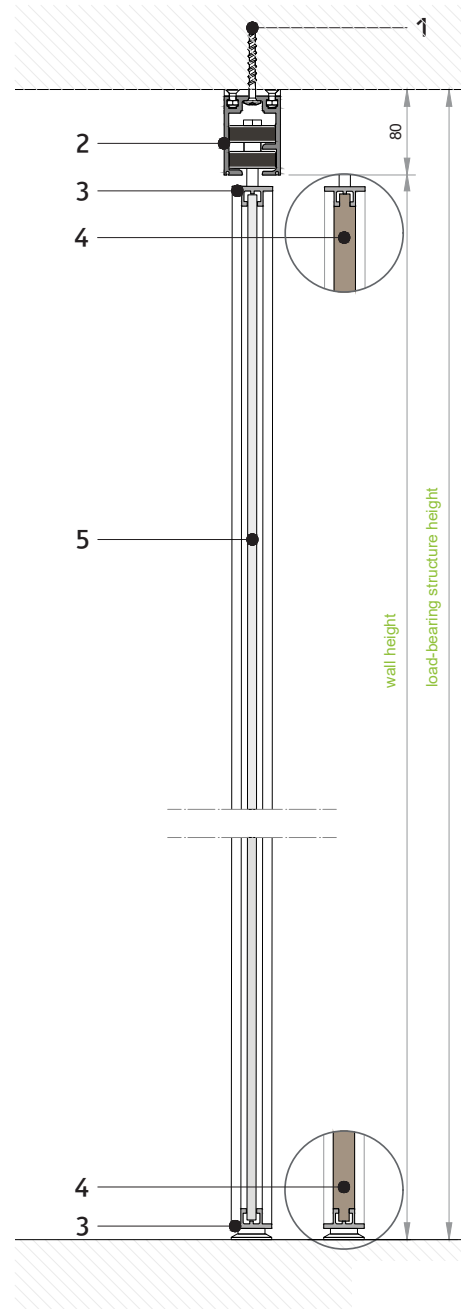


Plate fixed on finished floor



AURA

SECTION WITH EXPOSED GUIDE



Exposed Guide white varnished RAL 9010 20/30 gloss

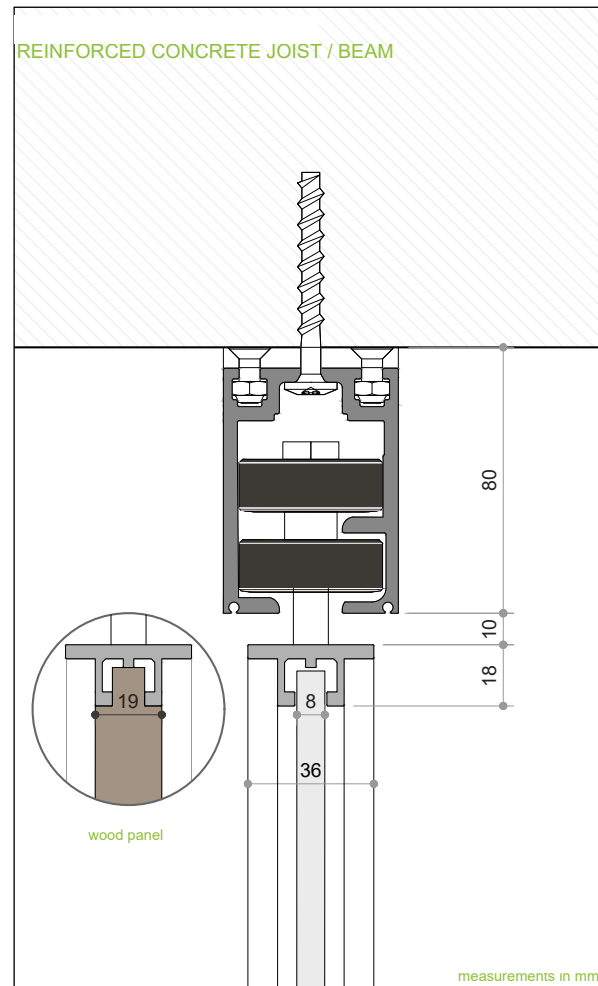
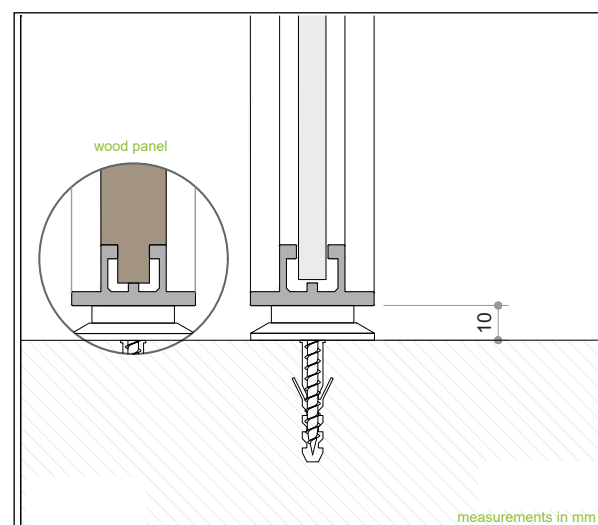


Plate fixed on finished floor



- 1. Fixing system included
- 2. Exposed guide in aluminum
- 3. Aluminum top/bottom profile
- 4. Laminated wood panel
- 5. Laminated glass

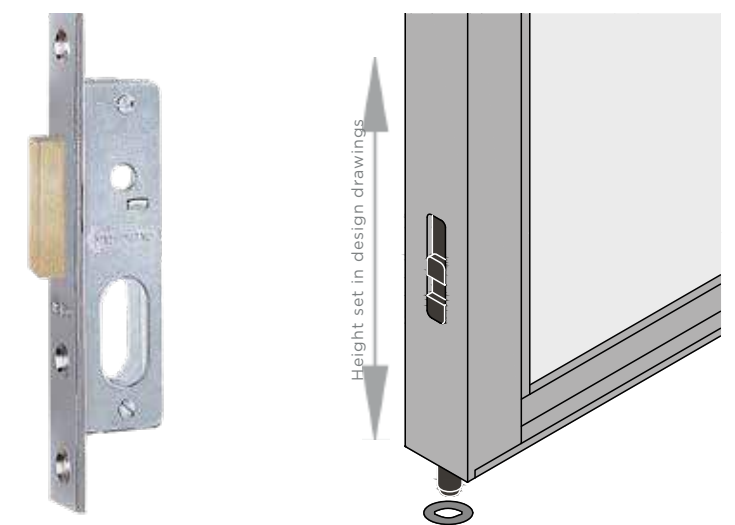
Handles



Lock



Flushbolt on the floor



The colour representation shown is approximate, to differences caused by the printing. For an exact reproduction of the finishes it is advisable to refer to the original samples. Other finishes are possible upon estimate.

AURA ZIP



AURA ZIP is Ananya's partition that thanks to the multiple configurations, the lightness of its materials such as aluminium and glass, as well as the absence of ground fixing, shapes out dynamic spaces suitable for people's lives. A tailor-made product able to streamline the essential Architecture qualifications: modularity, richness and materiality of surfaces-orchestration, and sequential order of movement.

Profile:
Copper oxidized

Glass:
Laminated with wire mesh copper



36 mm
~1.4"



MAX 3000 mm
~120"



MAX 1000 mm
~40"



Design guide
or hidden



No floor guide



25 kg/sqm
~5 lbs/sqft

AURA ZIP



AURA ZIP



AURA ZIP



AURA ZIP can divide a wide open space into multiple areas, maintaining comfort and privacy without sacrificing the pleasure and advantage of communication and teamwork.

Profile:
Grey graphite varnished

Glass:
Extra clear laminated
with customized serigraphy

- 
 36 mm
~1.4"
- 
 MAX 3000 mm
~120"
- 
 MAX 1000 mm
~40"
- 
 Design guide
or hidden
- 
 No floor guide
- 
 25 kg/sqm
~5 lbs/sqft

AURA ZIP



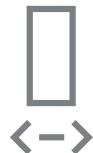
AURA ZIP



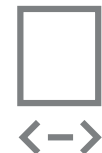
AURA ZIP



Recessed or exposed guide



~ MIN 300 mm
~ MIN 12"
~ MAX 500 mm
~ MIN 20"



~ MIN 700 mm
~ MIN 28"
~ MAX 1000 mm
~ MIN 40"



~ MAX 3000 mm
~ MAX 120"



No side jamb



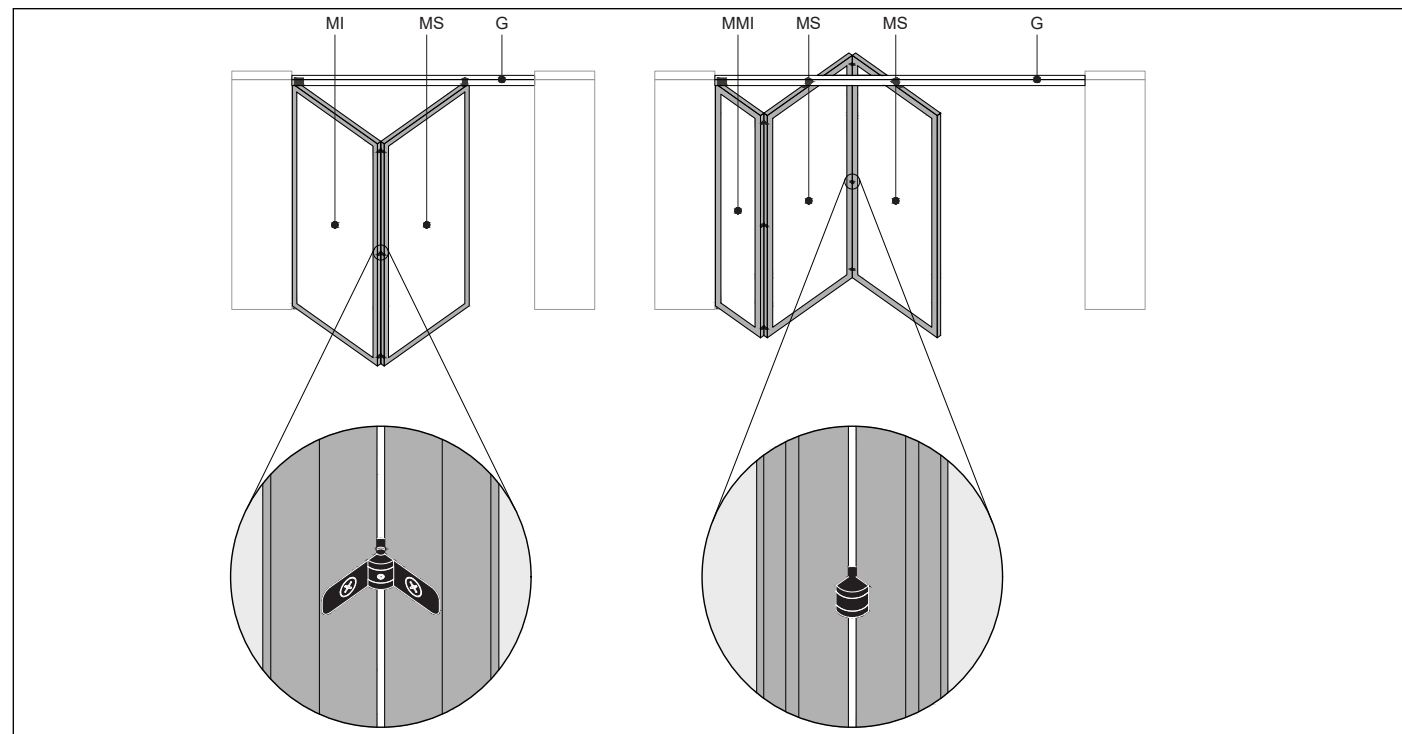
No floor guide



20 Kg/mq with panel
25 Kg/mq with glass

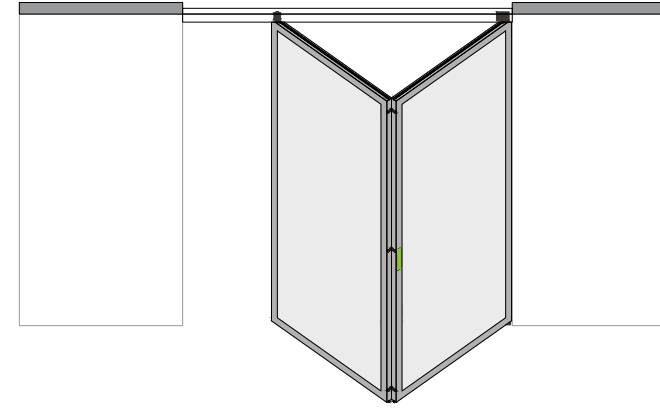


~ 36 mm

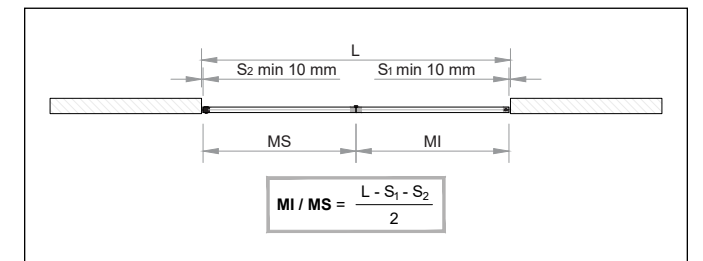
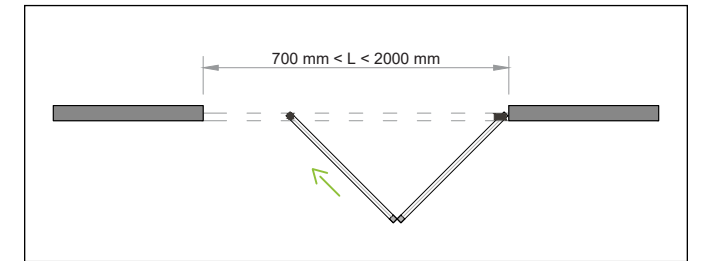


G= Guide
MI= Hinged Module
MMI= Half Hinged Module

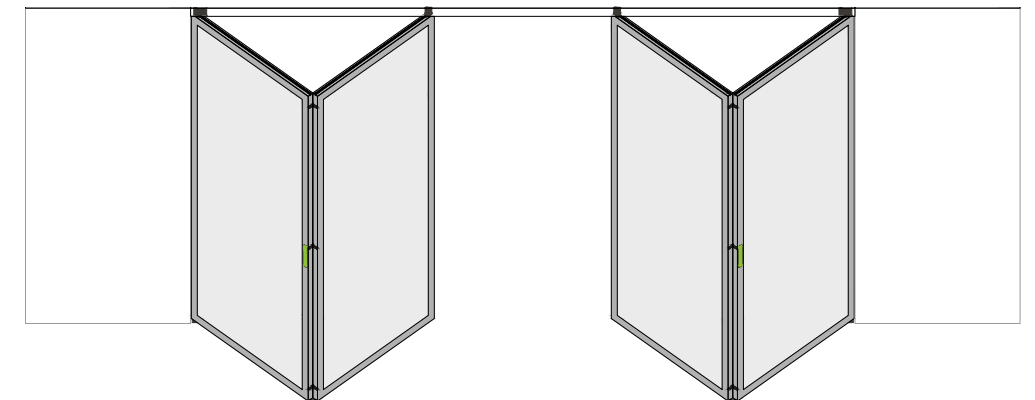
WALL WITH PARKING AT ONE END



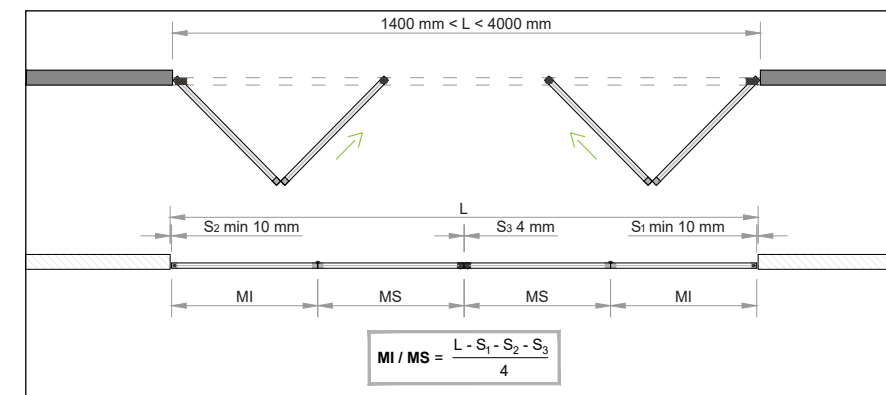
Add no. 1 handle



WALL WITH PARKING AT BOTH ENDS



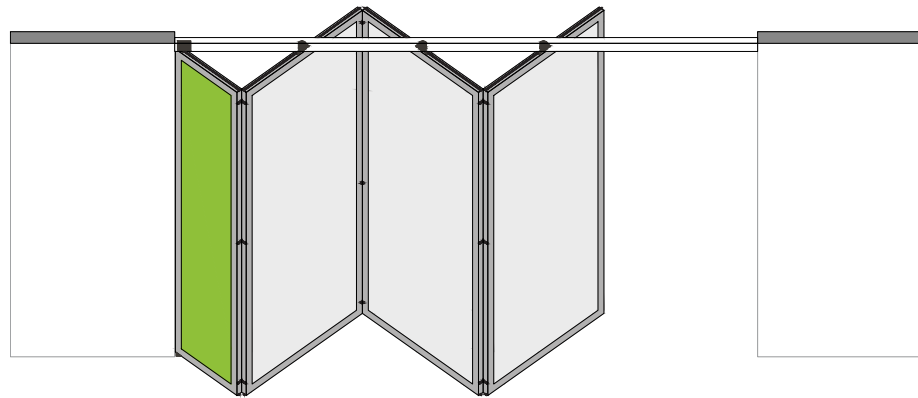
Add no. 2 handles



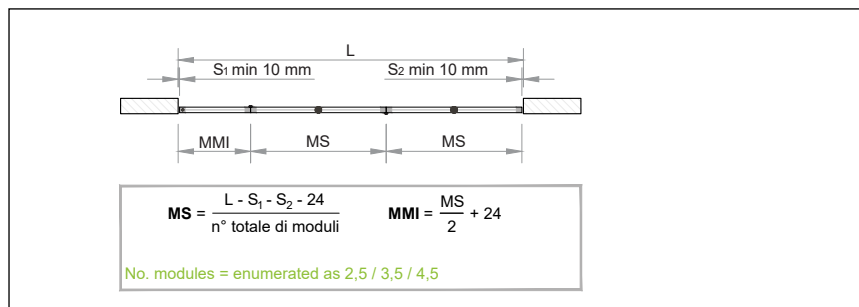
L= Opening width (mm)
MI= Hinged Module width (mm)

AURA ZIP

TROLLEY IN AXIS WITH HALF INITIAL MODULE



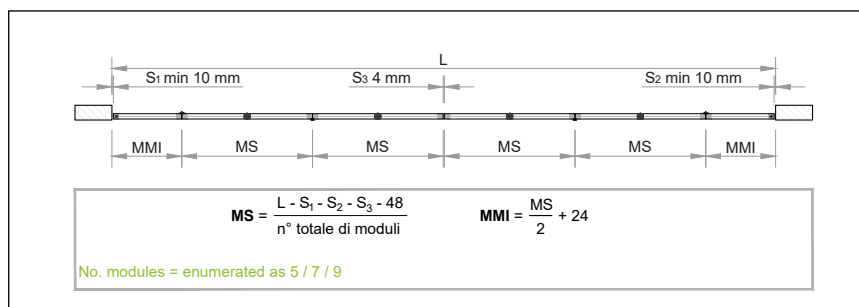
WALL WITH PARKING AT ONE END



L= Opening width (mm)
Hinged Half Module width (mm)
Sliding Module width (mm)

NB. Round down to the first even number

WALL WITH PARKINGS AT BOTH ENDS

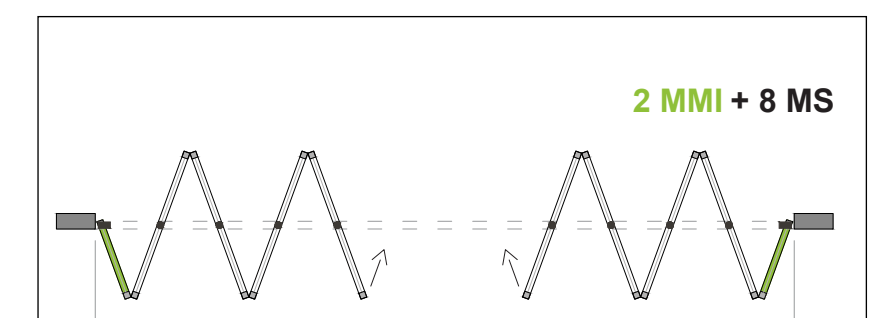
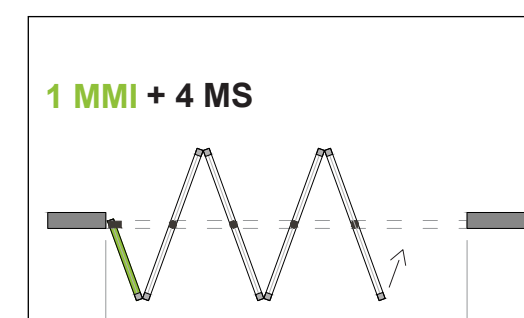
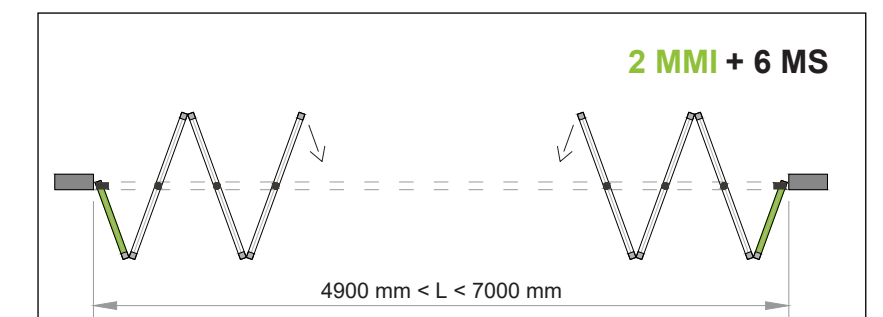
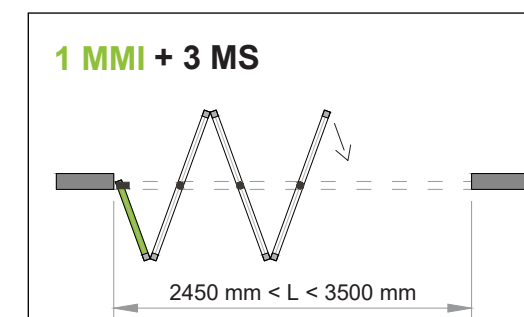
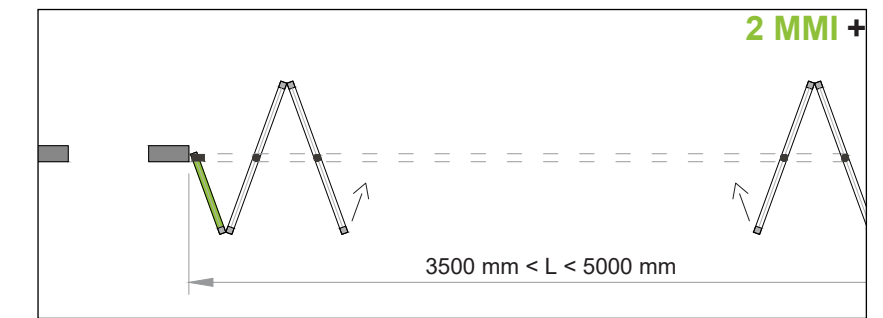
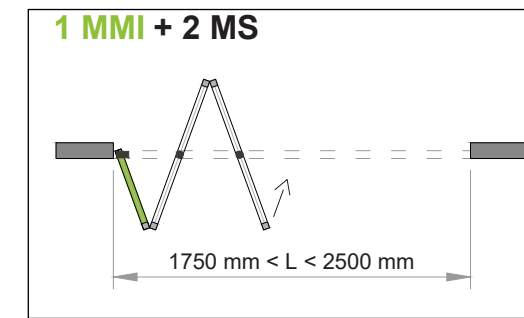
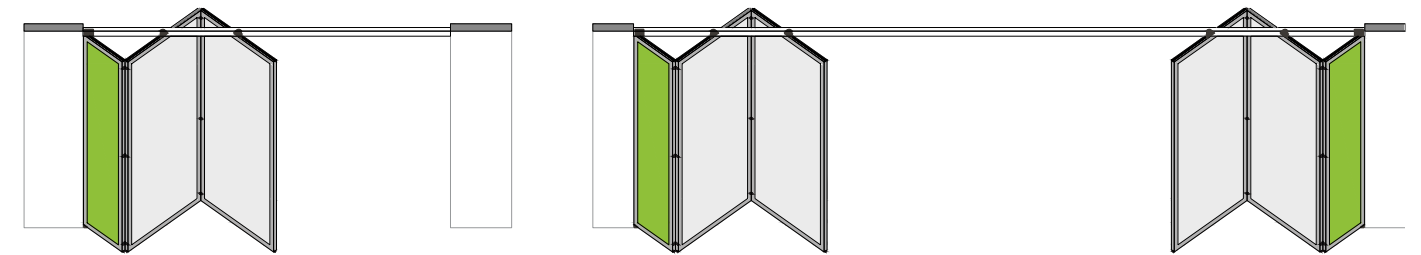


L= Opening width (mm)
Hinged Half Module width (mm)
Sliding Module width (mm)

NB. Round down to the first even number

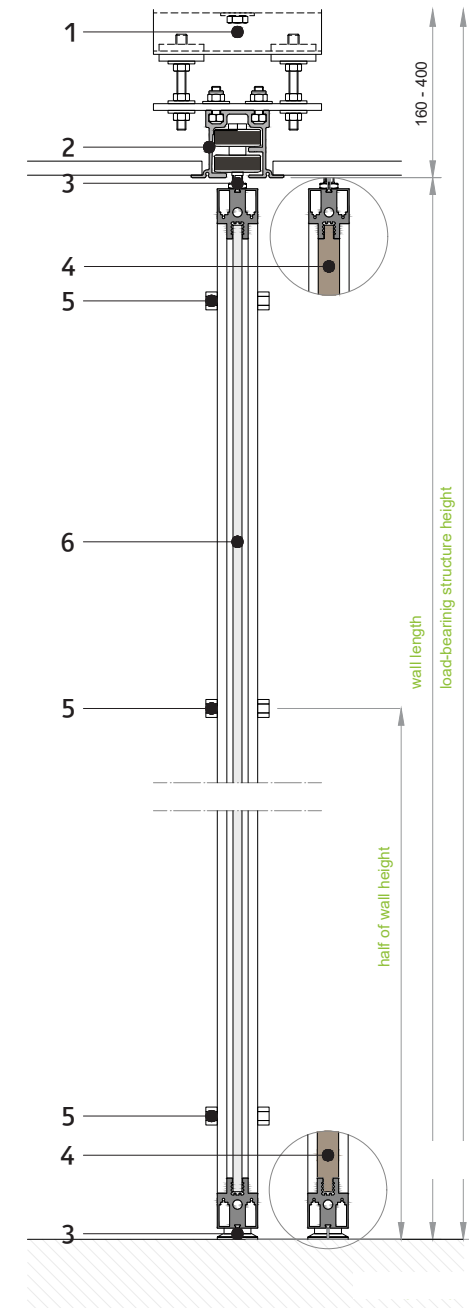
To determine the number of modules, check in which range the length of the wall falls as per next page diagrams

NUMBER OF MODULES BASED ON THE WALL LENGTH



AURA ZIP

SECTION WITH RECESSED GUIDE



1. Fixing system included
2. Recessed guide in aluminum
3. Aluminum top/bottom profile
4. Laminated wood panel
5. Visible hinge in steel
6. Laminated glass

Recessed Guide white varnished RAL 9010 20/30 gloss

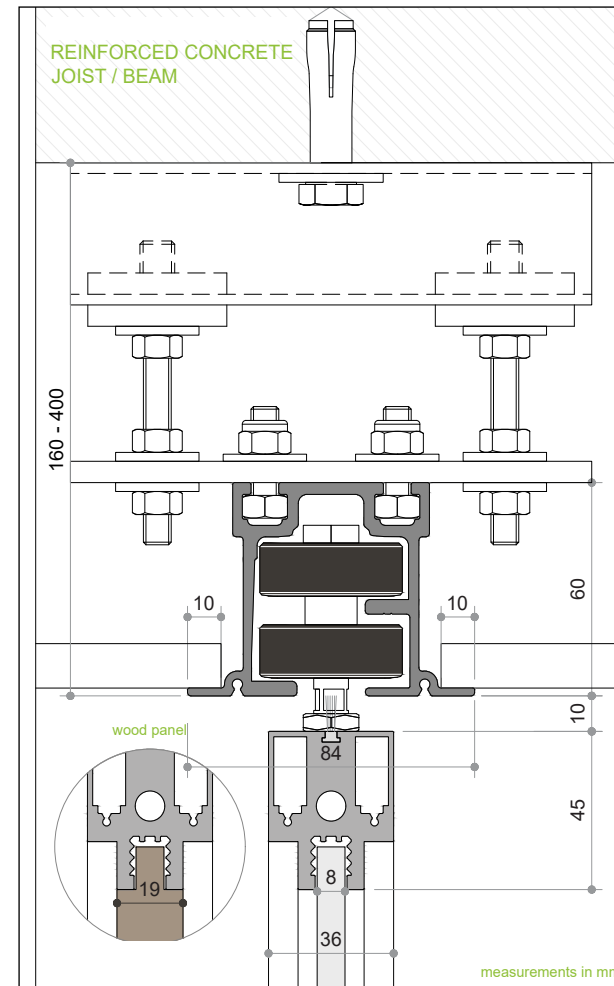
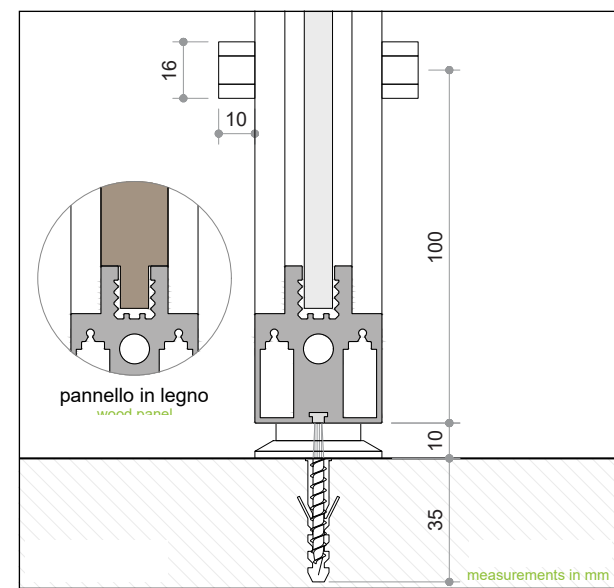
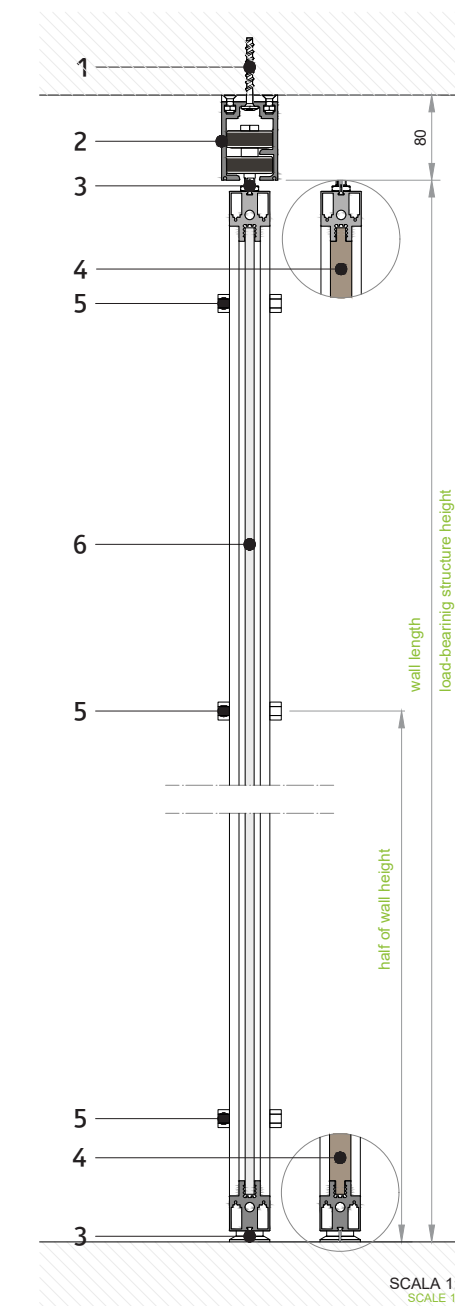


Plate fixed on finished floor



SECTION WITH EXPOSED GUIDE



1. Fixing system included
2. Exposed guide in aluminum
3. Anodized aluminum top/bottom profile
4. Laminated wood panel
5. Visible hinge in steel
6. Laminated glass

Exposed Guide white varnished RAL 9010 20/30 gloss

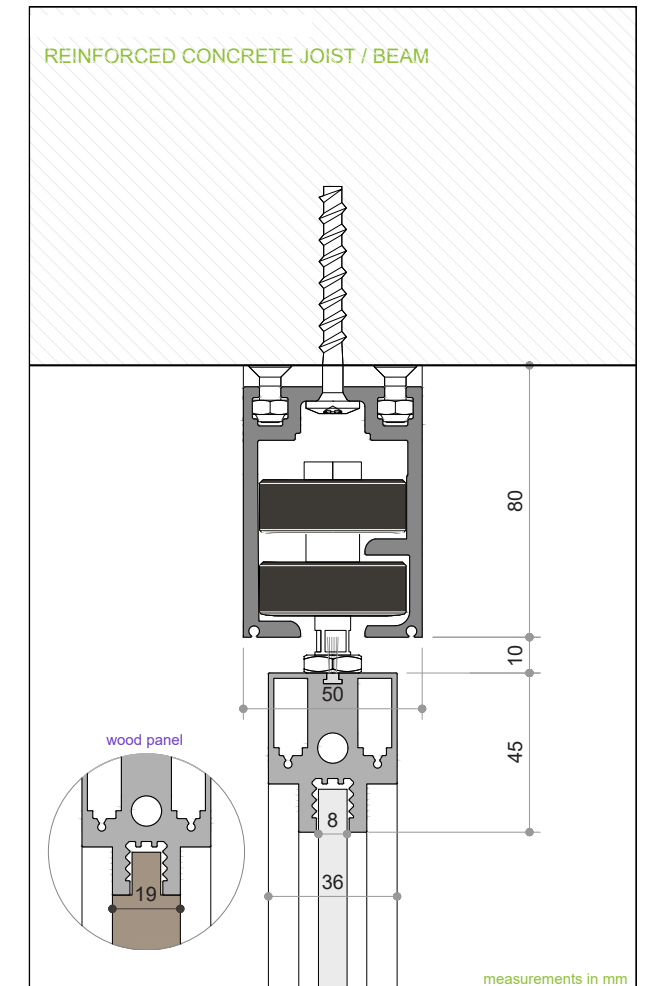
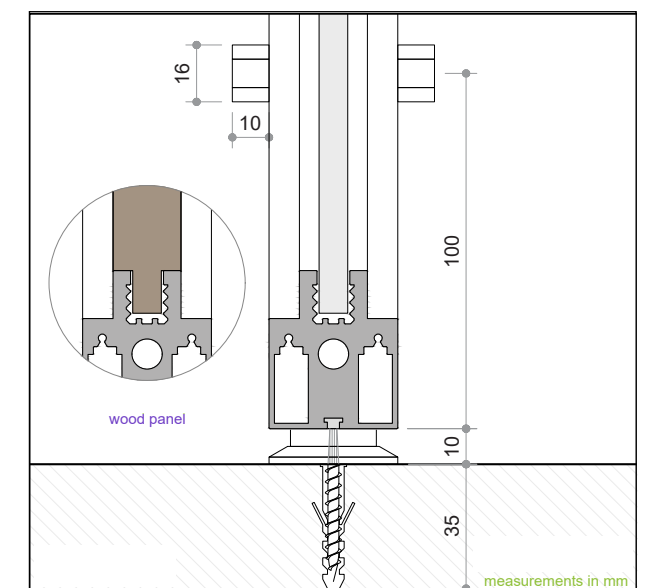
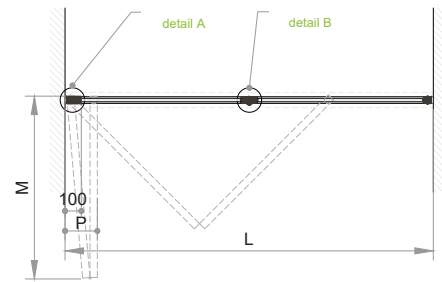


Plate fixed on finished floor



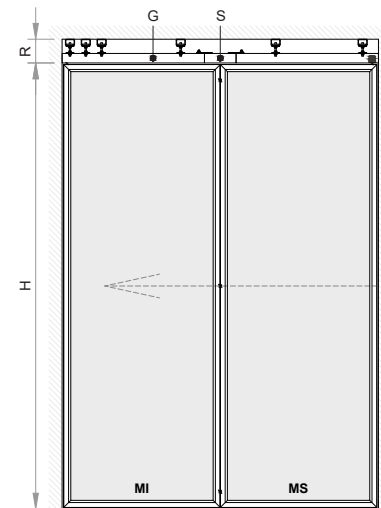
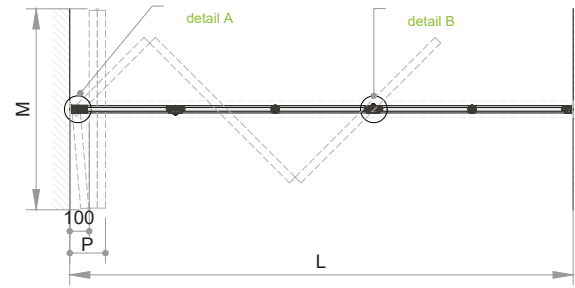
AURA ZIP

TROLLEYS IN AXIS WITH HALF INITIAL MODULE

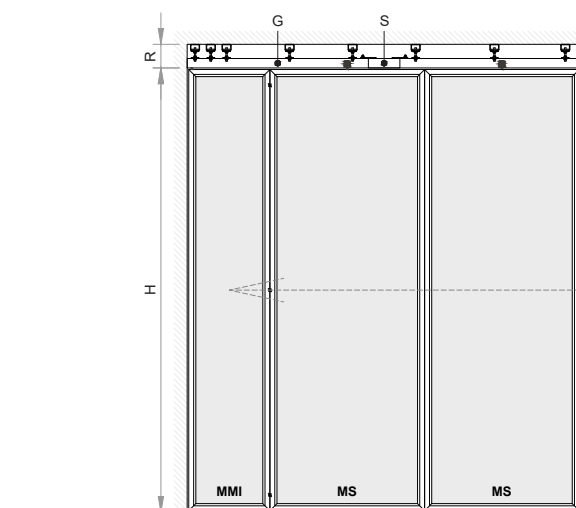


L= Opening width (mm)
P= Parking depth = 100 + (No. modules x 41) mm

OFF-AXIS TROLLEYS WITH TWO MODULES

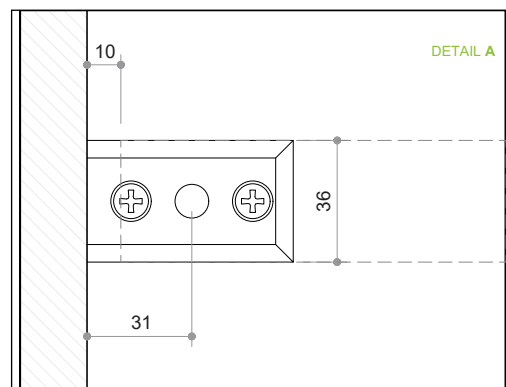


R= Lowering system height
G= Recessed guide type

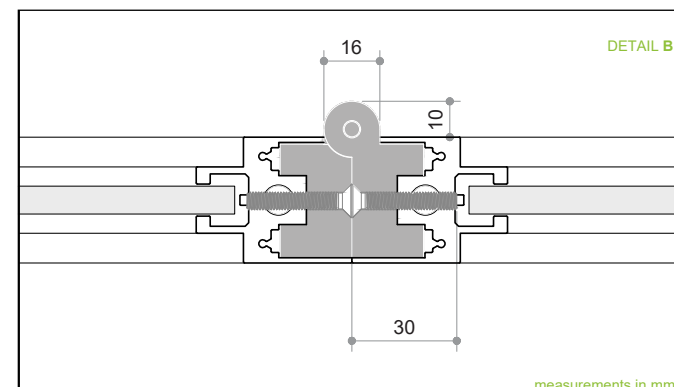


H= Wall height
MMI= Half Hinged Module

Plate fixed on finished floor (MI e MMI)



Modules' joint



HANDLES



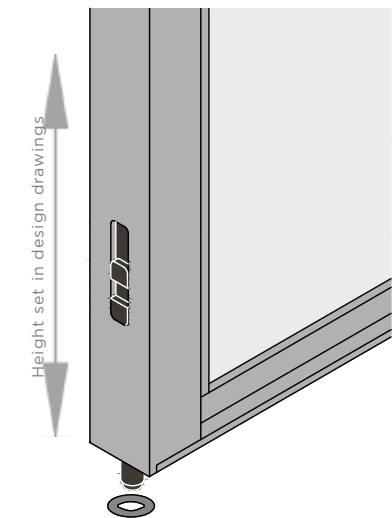
Black Handle
L: 6.3"
Finish: E228
Matte Black with primer

Nickel Handle
L: 6.3"
Finish: G115
Glossy Satin Nickel

LOCK



FLUSHBOLT ON THE FLOOR



The colour representation shown is approximate to differences caused by the printing. For an exact reproduction of the finishes it is advisable to refer to the original samples. Other finishes are possible upon estimate

HARMONIC



HARMONIC is the wood folding partition, created as a solution to remodel a space, making it dynamic and smooth, suitable for the varying needs of contemporary living. A flexible partition wall that modifies rooms with light and flowing panels. HARMONIC offers unique design, easy operation, small dimensions and a wide range of finishes.

Panel:
Exotic wallpaper

- 
 MAX 3000 mm
~ 120"
- 
 MAX 1000 mm
~ 40"
- 
 Visible guide
or hidden
- 
 No guide
on the floor
- 
 20 kg/sqm
~4 lbs/sqft

HARMONIC



HARMONIC



HARMONIC



Recessed or exposed guide



~ MIN 300 mm
~ MAX 500 mm
~ MIN 12"
~ MAX 20"



~ MIN 700 mm
~ MAX 1000 mm
~ MIN 12"
~ MAX 20"



~ MAX 3000 mm
~ MAX 120"



No side jamb



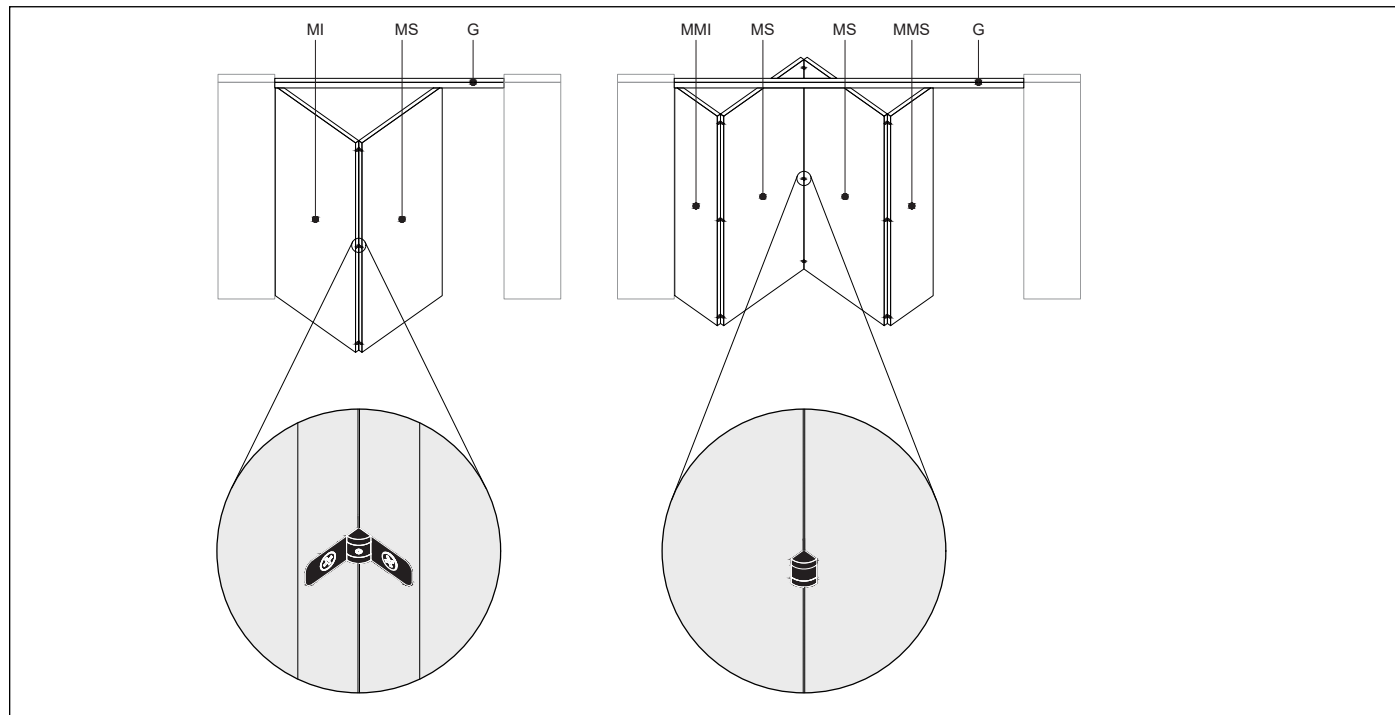
No floor mounted track



20 Kg/mq
~5 lbs/sqft

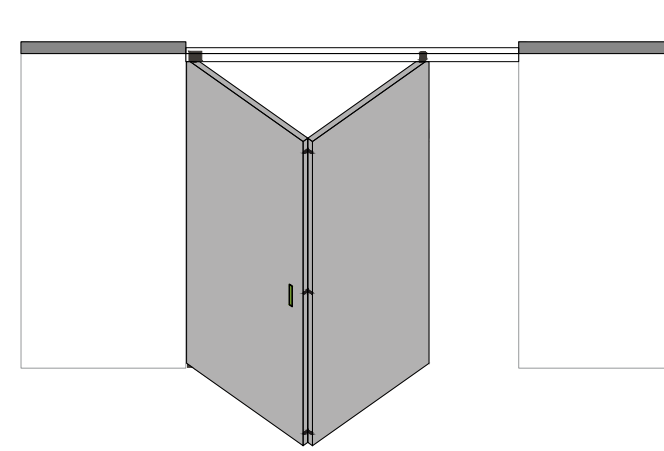


40 mm
~ 1.6"

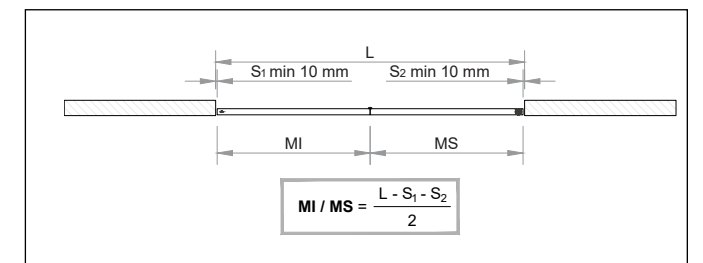
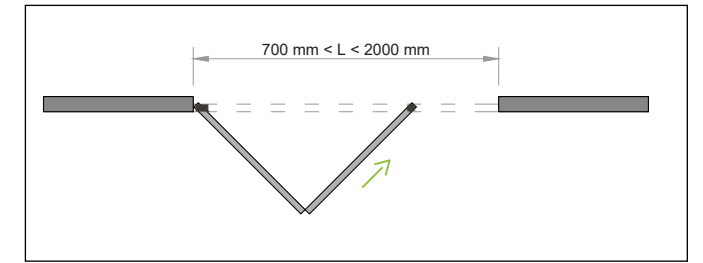


G= Guide
MI= Hinged Module
MMI= Hinged Half Module
MS= Sliding Module

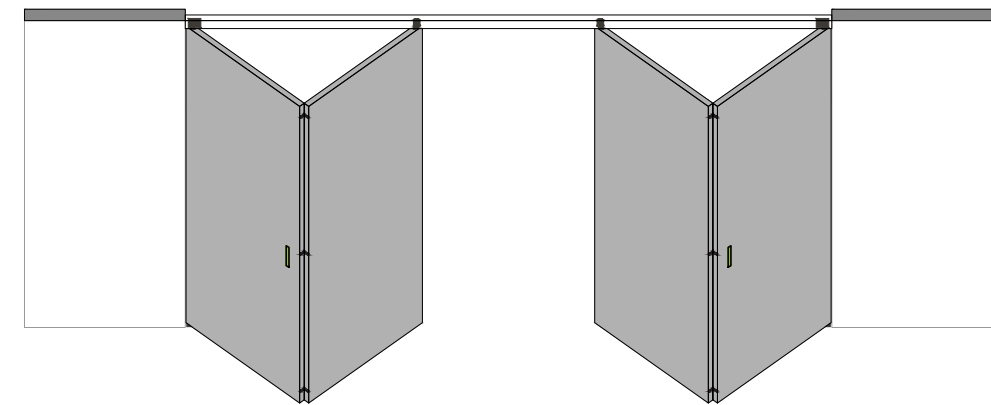
WALL WITH PARKING AT ONE END



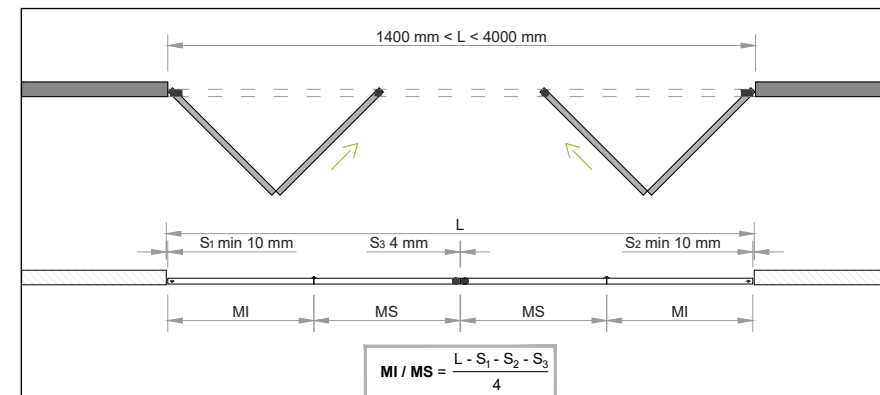
Add no. 1 handle



WALL WITH PARKING AT BOTH ENDS



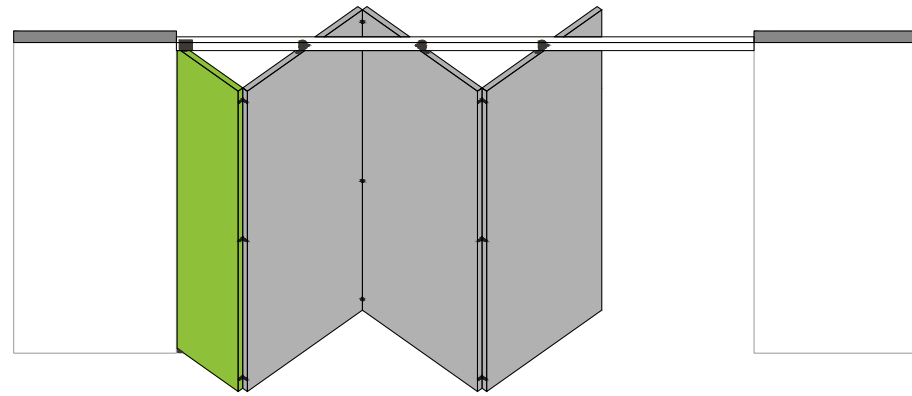
Add no. 2 handles



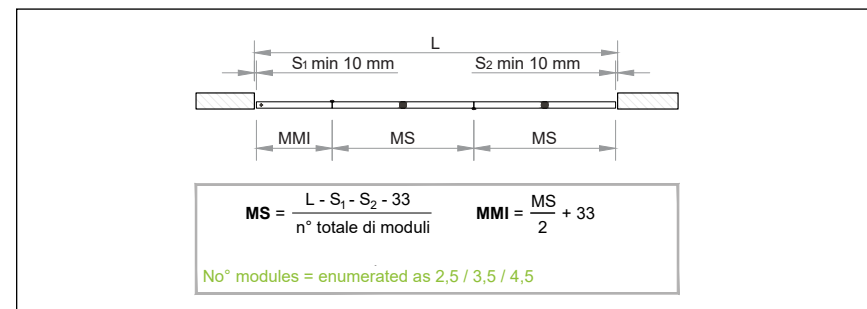
L= Opening width (mm)
MI= Hinged Module width (mm)

HARMONIC

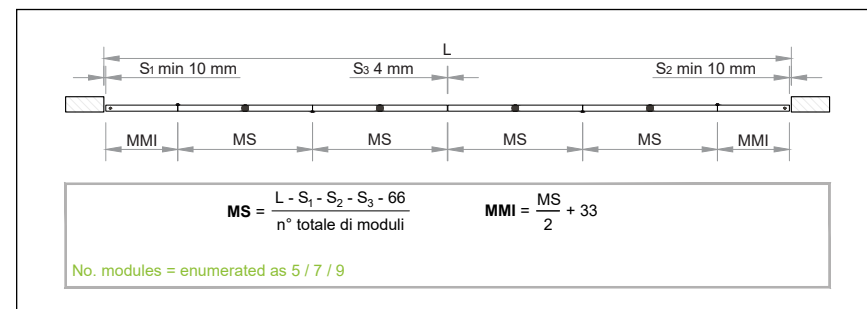
TROLLEYS IN AXIS WITH HALF INITIAL MODULE



WALL WITH PARKING AT ONE END



WALL WITH PARKINGS AT BOTH ENDS

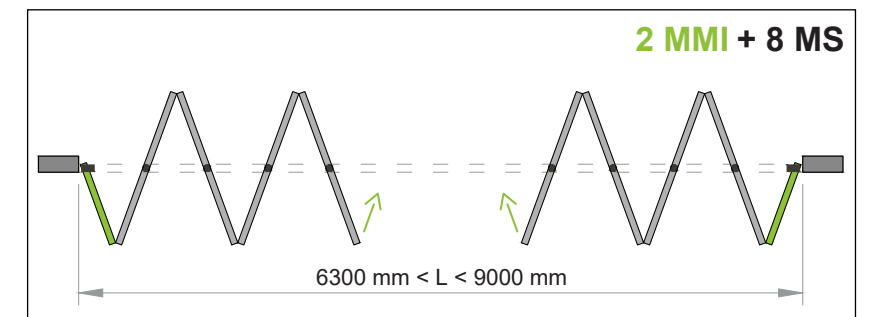
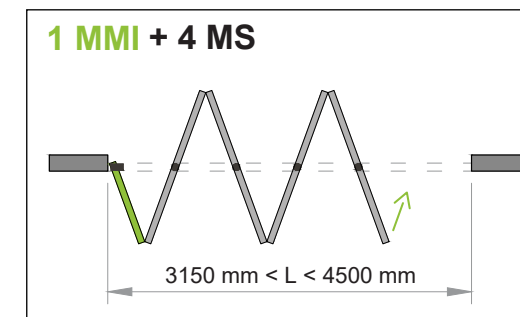
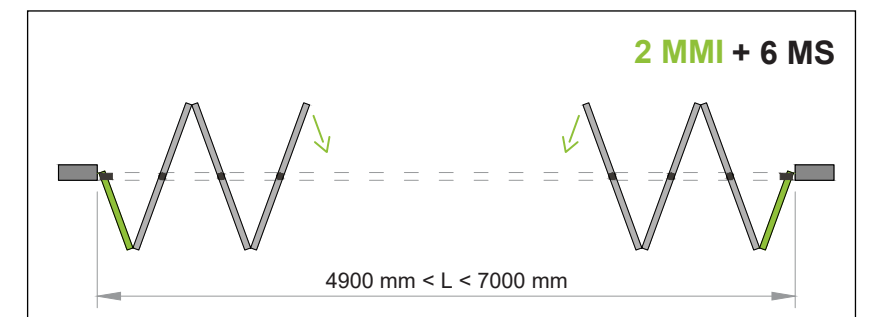
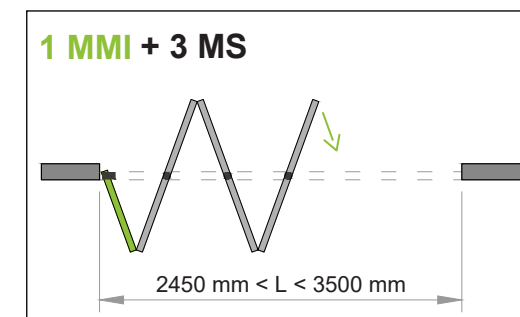
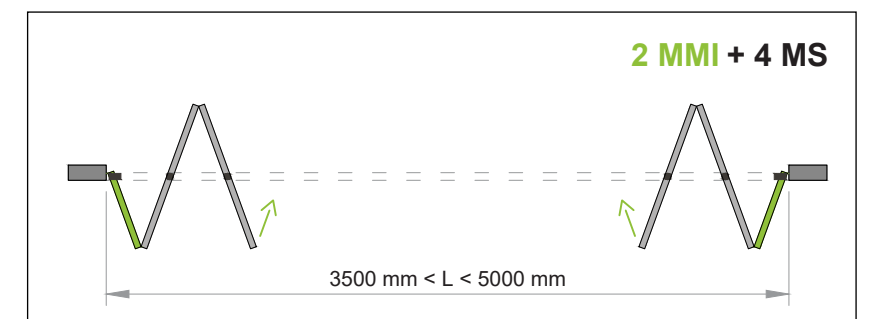
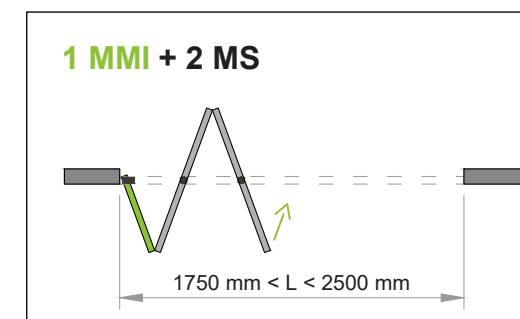
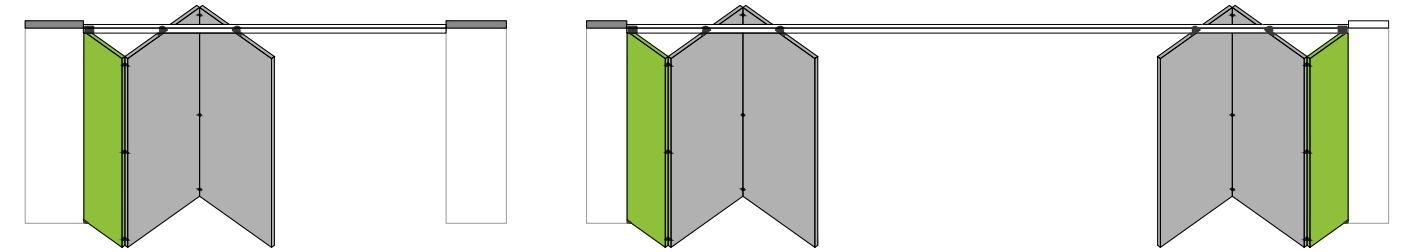


L= Opening width (mm)
 MMI= Hinged Half Module width (mm)
 MS= Sliding Module width (mm)

L= Opening width (mm)
 MMI= Hinged Half Module width (mm)
 MS= Sliding Module width (mm)

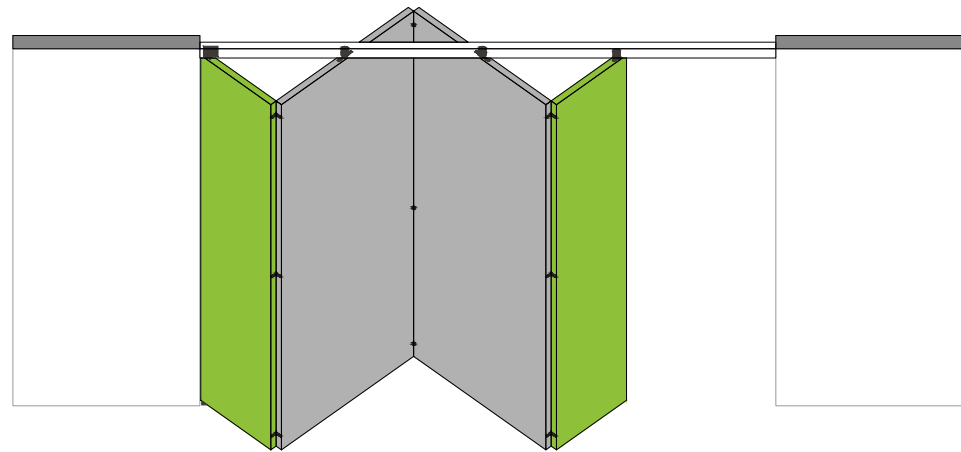
To determine the number of modules, check with in which range the length of the wall falls as per next page diagrams

NUMBER OF MODULES BASED ON THE WALL LENGTH

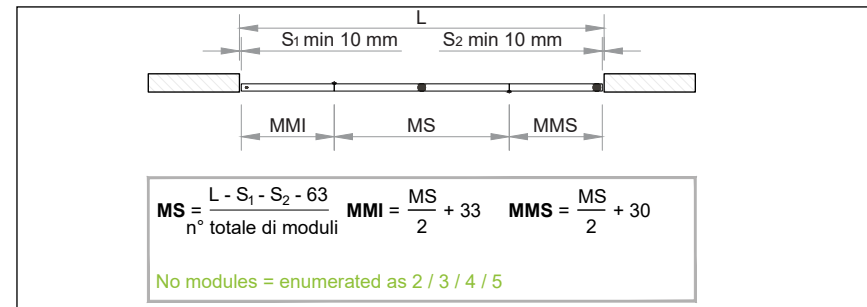


HARMONIC

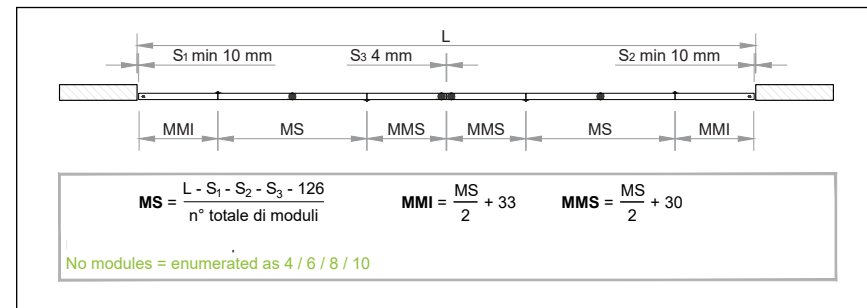
TROLLEYS IN AXIS WITH HALF INITIAL AND ENDING MODULE



WALL WITH PARKING AT ONE END

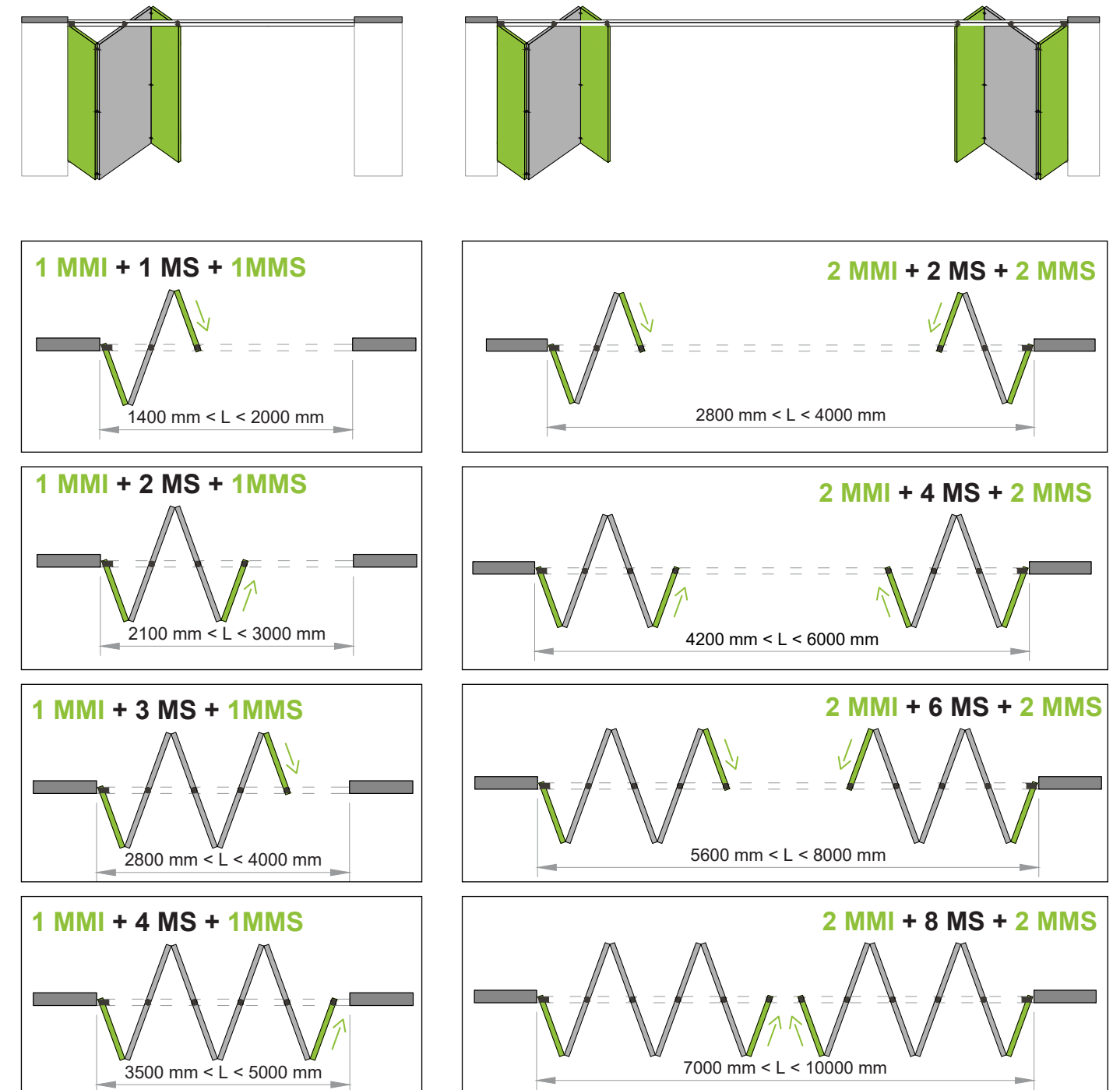


WALL WITH PARKINGS AT BOTH ENDS



- L= Opening width (mm)
- MMI= Hinged Half Module width (mm)
- MMS= Sliding Half Module width (mm)
- MS= Sliding Module width (mm)

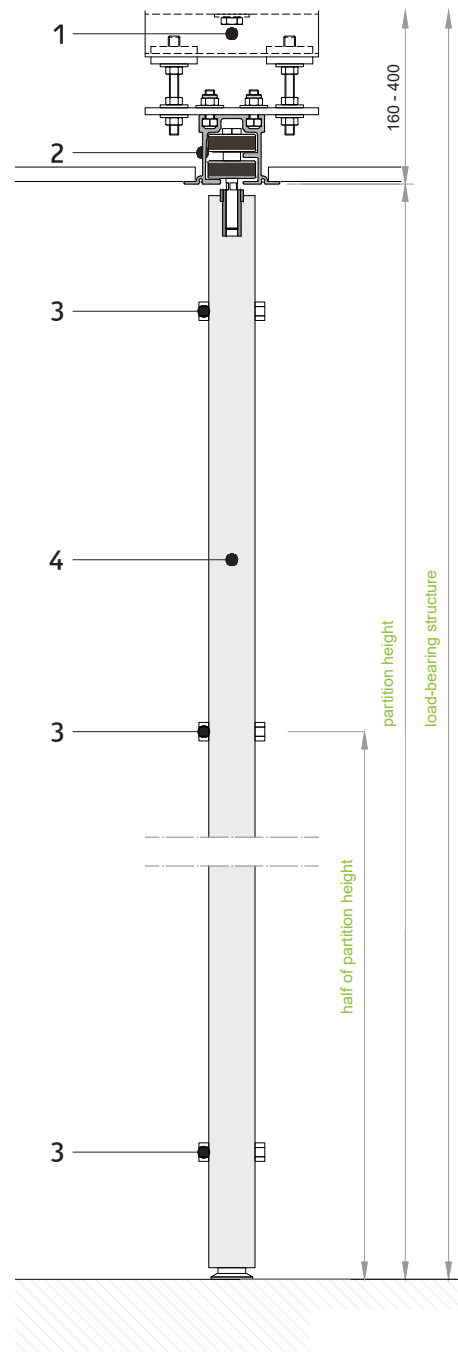
NUMBER OF MODULES BASED ON THE WALL LENGTH



To determine the number of modules, check with in which range the length of the wall falls as per next page diagrams

HARMONIC

SECTION WITH RECESSED GUIDE



Recessed Guide white varnished RAL 9010 20/30 gloss

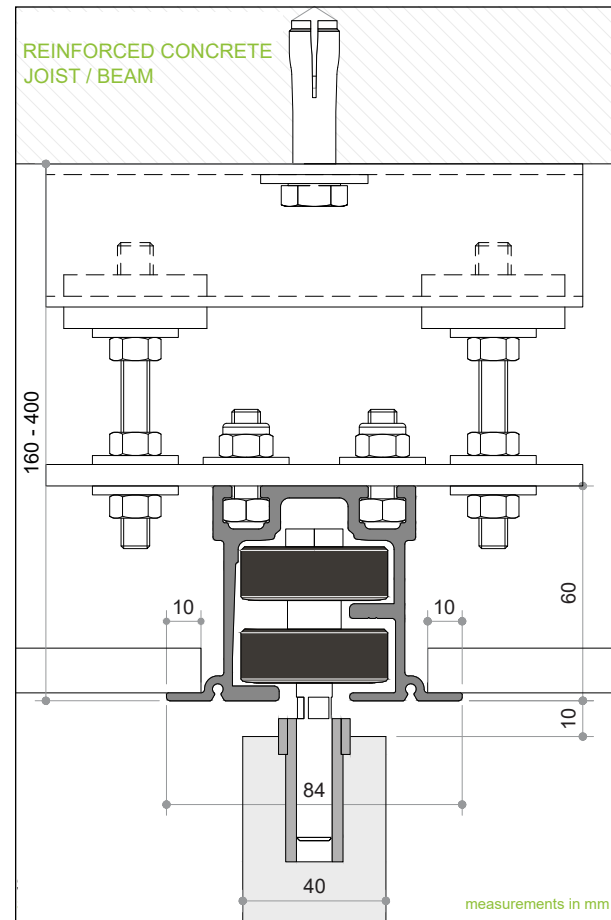
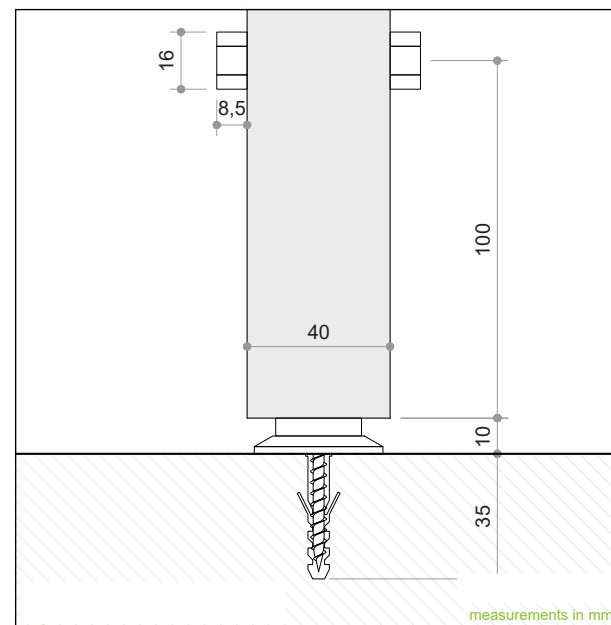
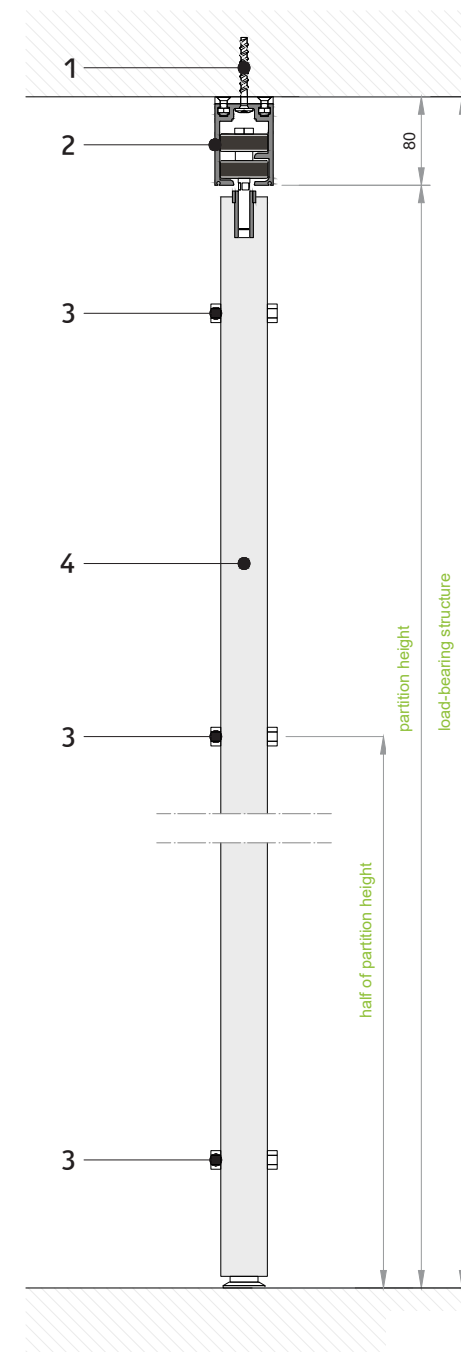


Plate fixed on finished floor



1. Fixing system included
2. Recessed guide in aluminum
3. Visible hinge in steel
4. 40 mm wood fiber panel with various finishes

SECTION WITH EXPOSED GUIDE



Exposed Guide white varnished RAL 9010 20/30 gloss

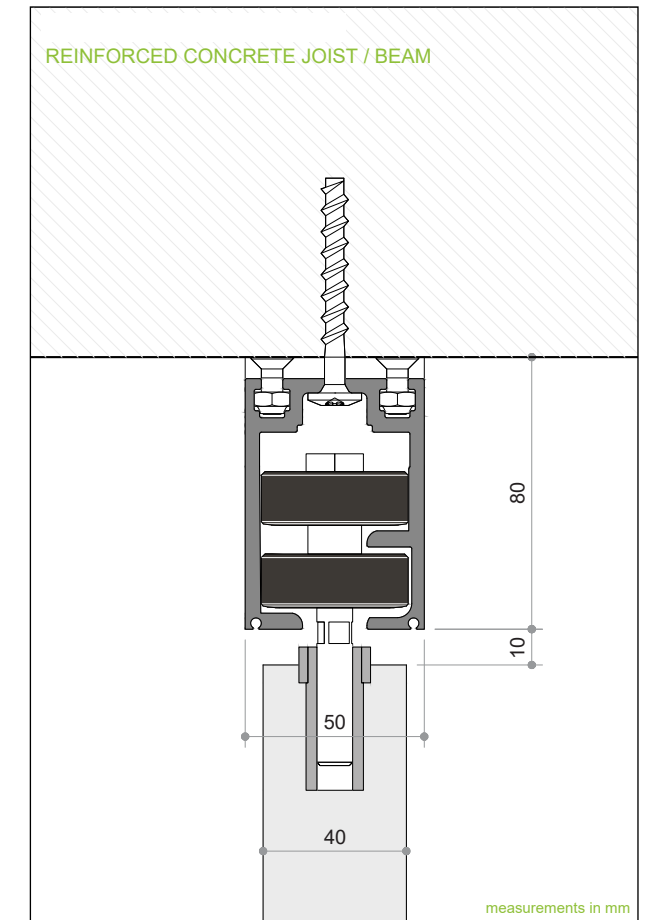
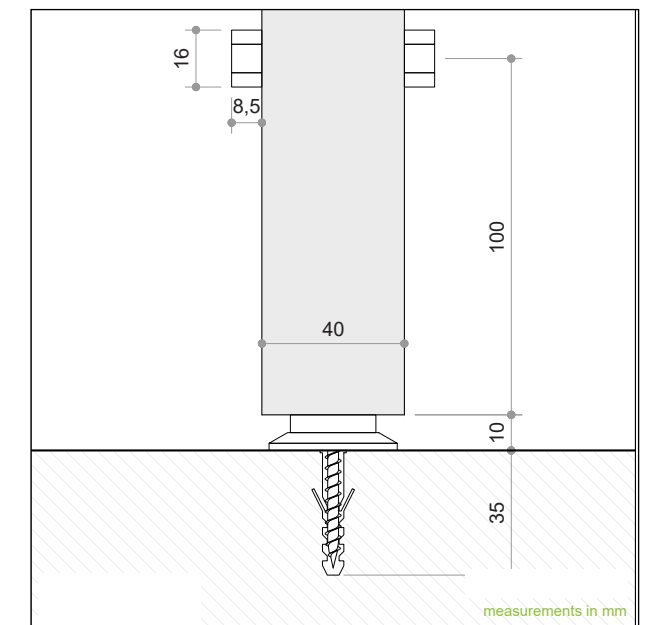


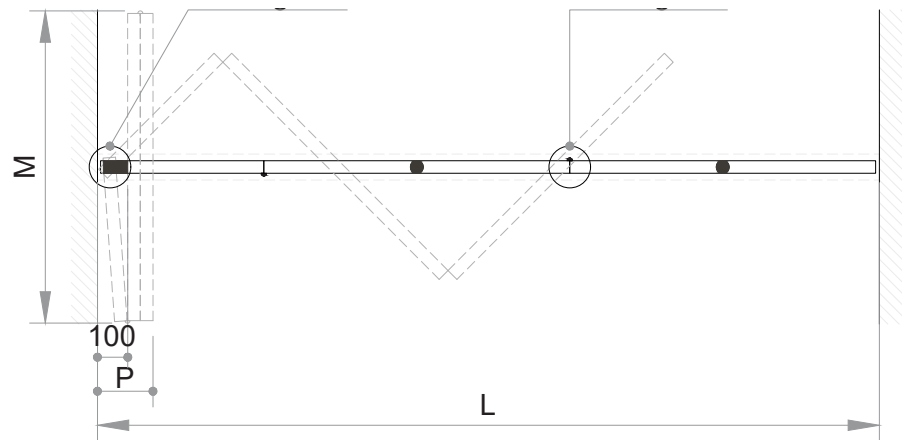
Plate fixed on finished floor



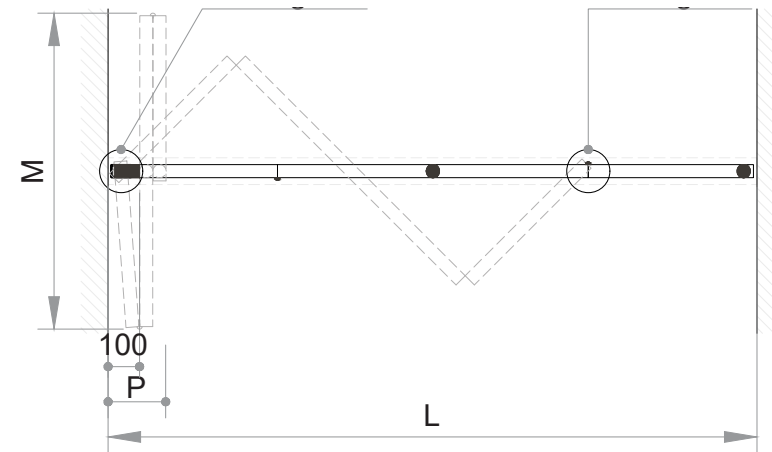
1. Fixing system included
2. Exposed guide in aluminum
3. Visible hinge in steel
4. 40 mm wood fiber panel with various finishes

HARMONIC

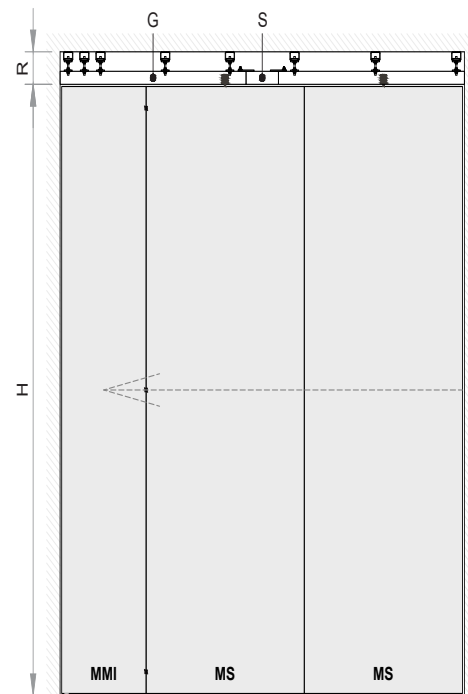
TROLLEYS IN AXIS WITH HALF INITIAL MODULE



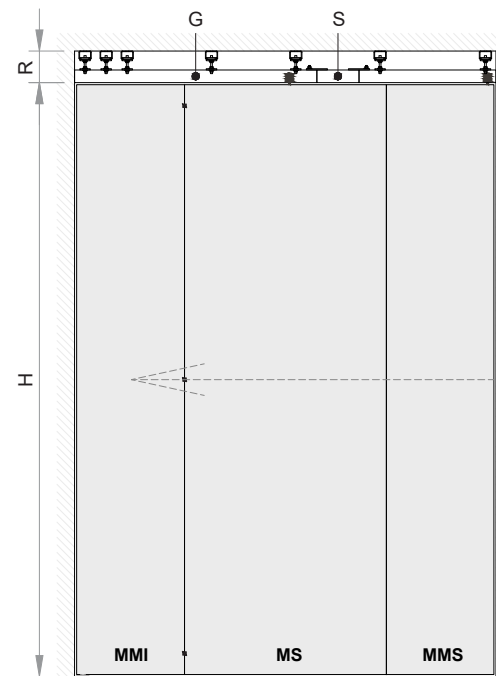
TROLLEYS IN AXIS WITH HALF INITIAL AND ENDING MODULE



L= Opening width (mm)
P= Parking depth = 100 + (No. modules x 40) mm

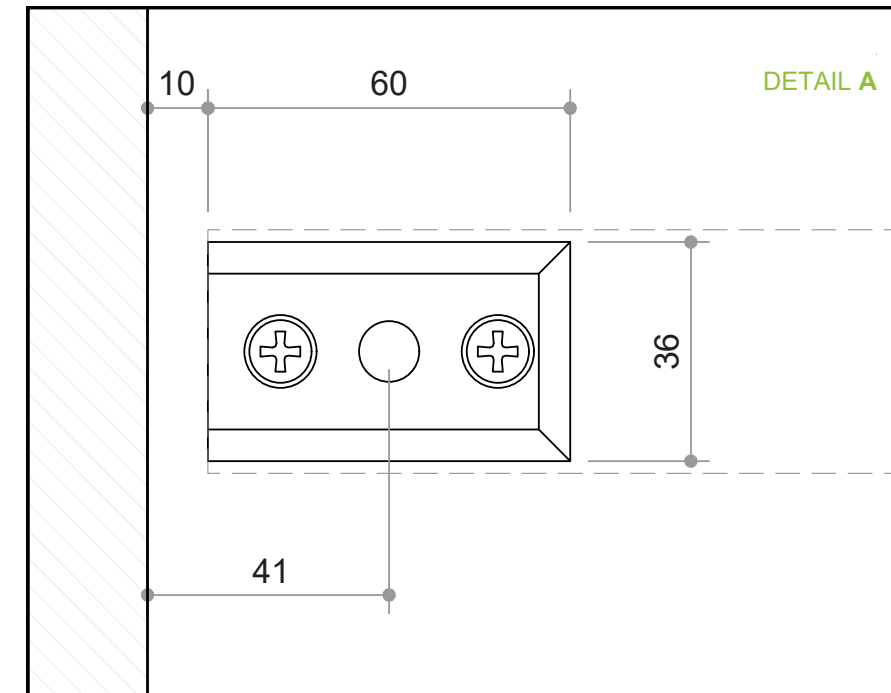


R= Lowering system height
G= Recessed guide type

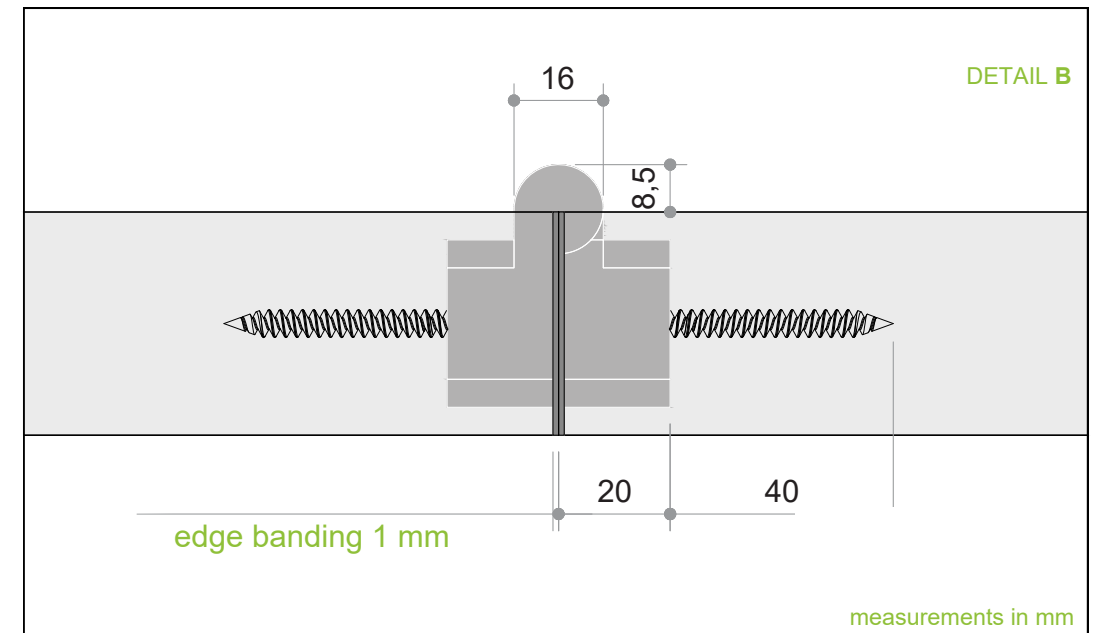


H= Wall height
MMI= Half Hinged Module
MMS= Half Sliding Module

Plate fixed on finished floor (MI e MMI)



Modules joint



AIR



AIR is the answer to the demands for functionality and design that are increasingly demanded in the world of interior design. AIR sliding partitions facilitate sharing working and living spaces simply and easily; combining smoothness and practicality, with finishes that enrich the environment. The modules are made of glass with refined finishes, with aluminum profiles with a unique and minimal design.

Profile:
Dark brown varnished

Panel:
Decorated frosted glass

- 

MAX 3000 mm
~MAX 120"
- 

MAX 1000 mm
~40"
- 

Visible guide
or hidden
- 

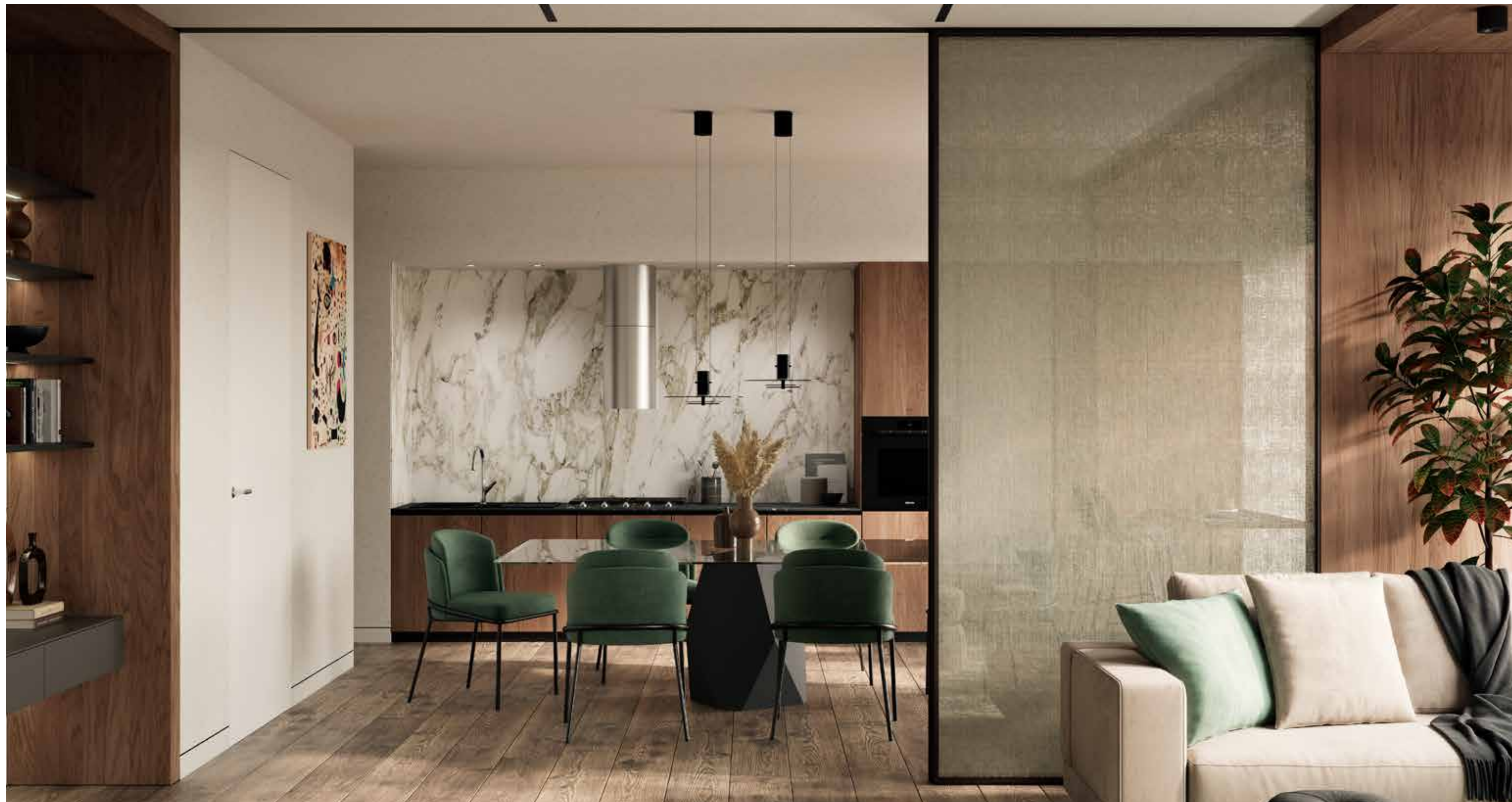
No floor guide
- 

20 kg/sqm
~4 lbs/sqft

AIR



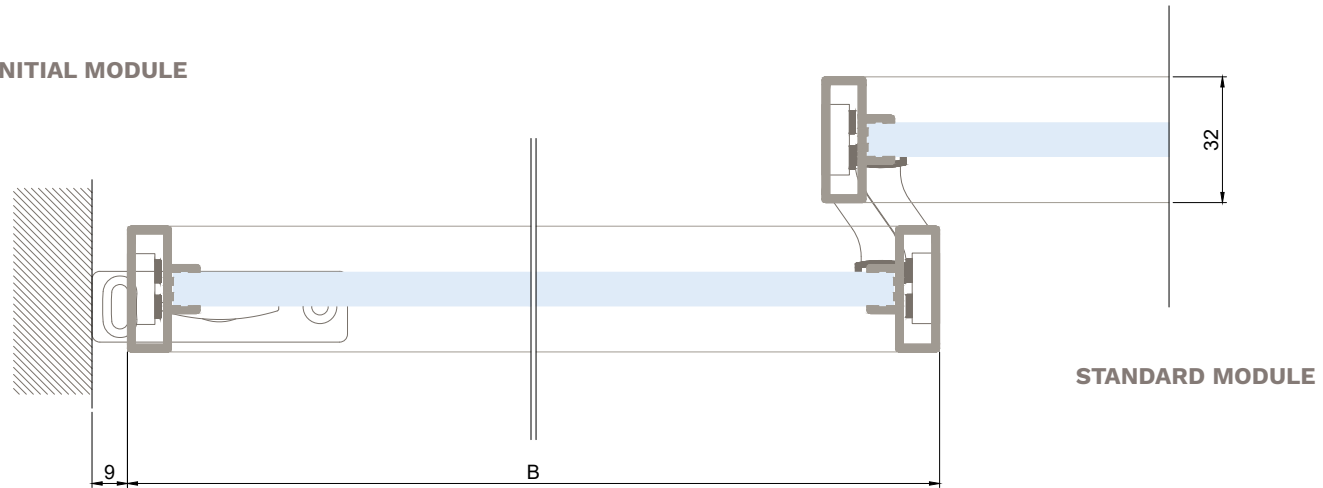
AIR



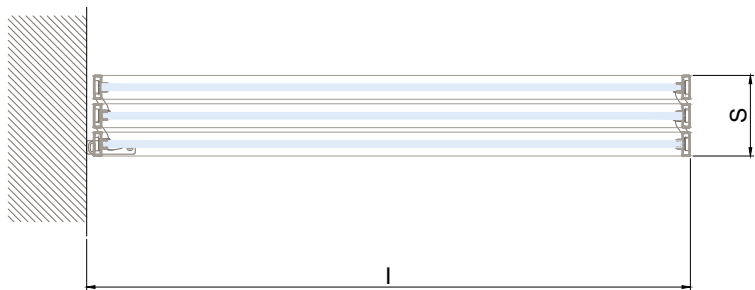
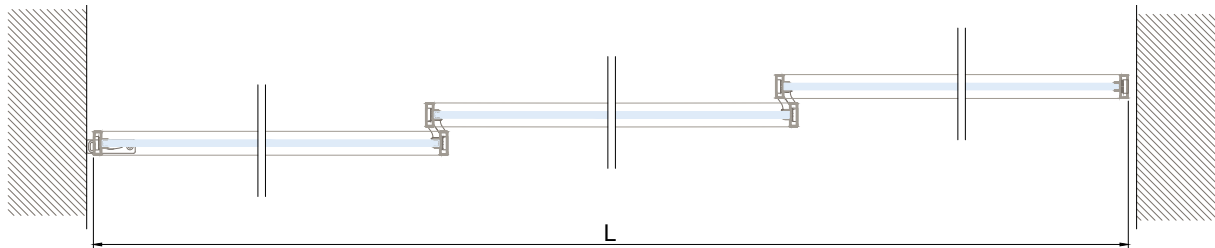
AIR

AIR sliding partitions can be made in different configurations to meet the varying needs of customers; produced with a minimum of a single module, up to a maximum of four.

INITIAL MODULE



STANDARD MODULE

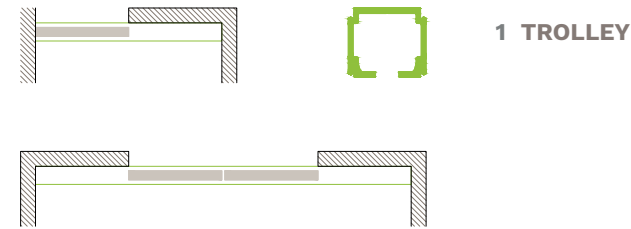


Calculating width Single module	
Per 4 Modules =	$\frac{(\text{Length} + 90 - 18)}{4}$
Per 3 Modules =	$\frac{(\text{Length} + 60 - 18)}{3}$
Per 2 Modules =	$\frac{(\text{Length} + 30 - 18)}{2}$

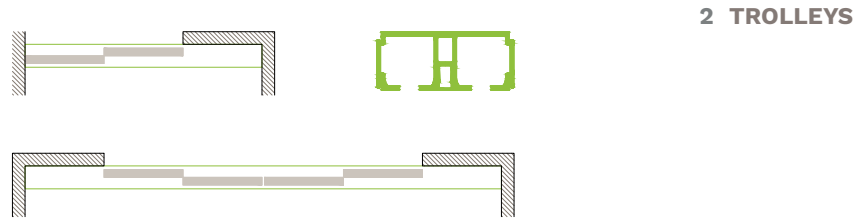
Wall width (L_{side} = L_{wall} - 18 mm)
no. modules x 38 mm
Packing size

All Dimensions shown in mm

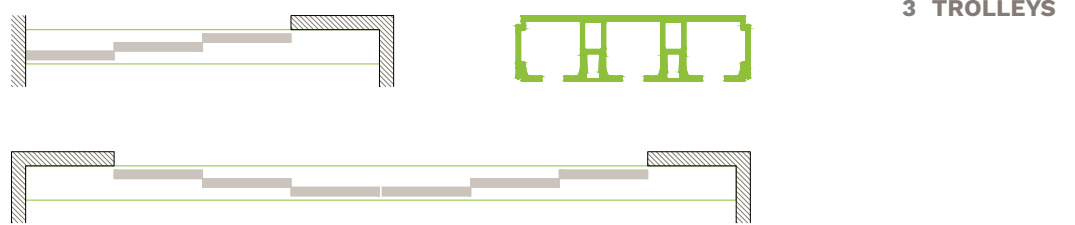
1 MODULE



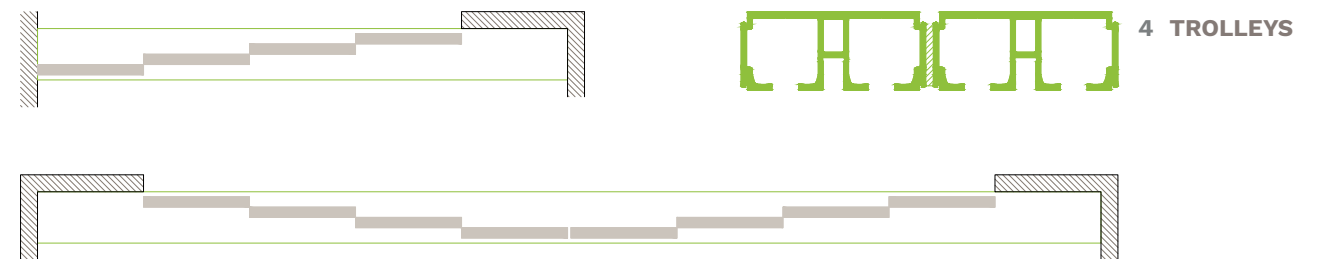
2 MODULES



3 MODULES



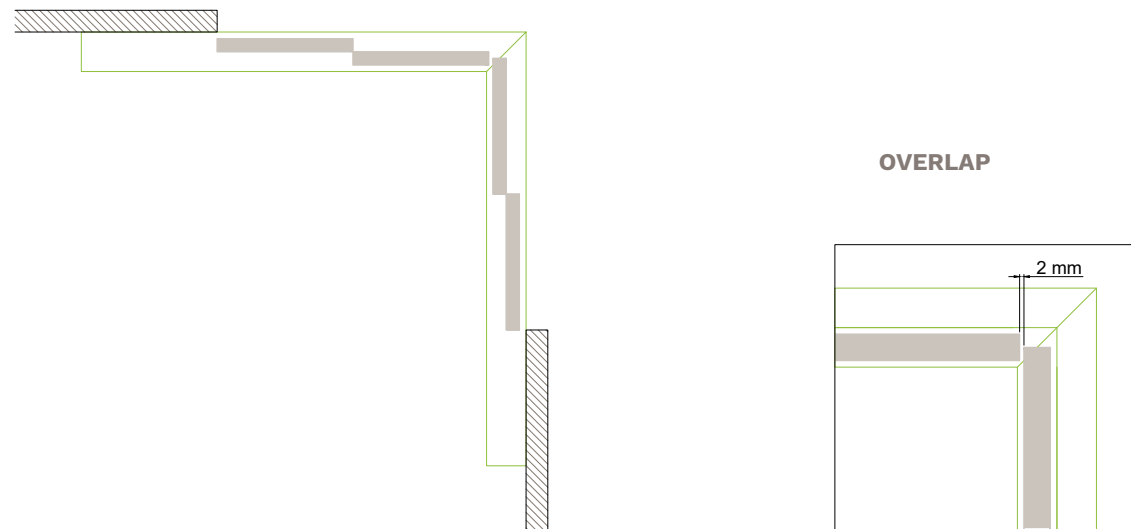
4 MODULES



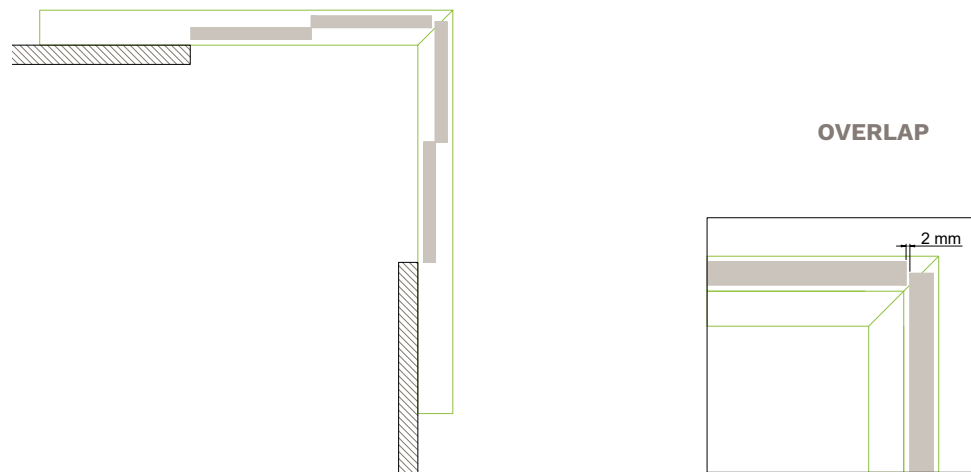
AIR

AIR tracks allow the creation of right-angled compositions. They can be internally and external

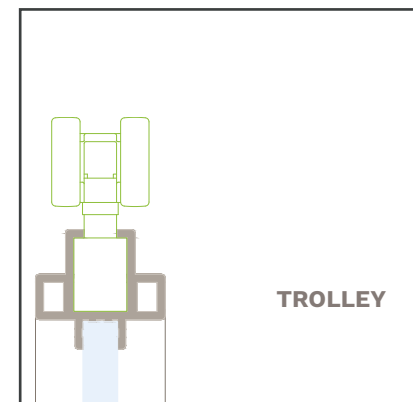
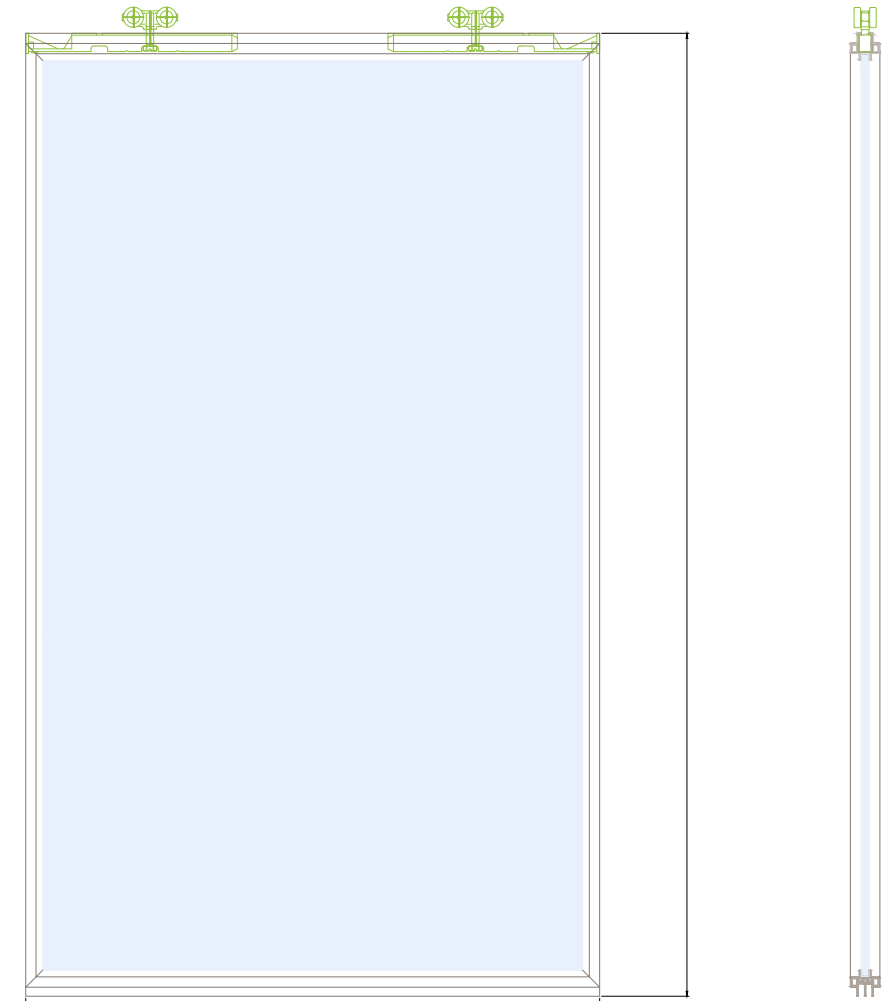
INTERNAL WIRE



EXTERNAL WIRE



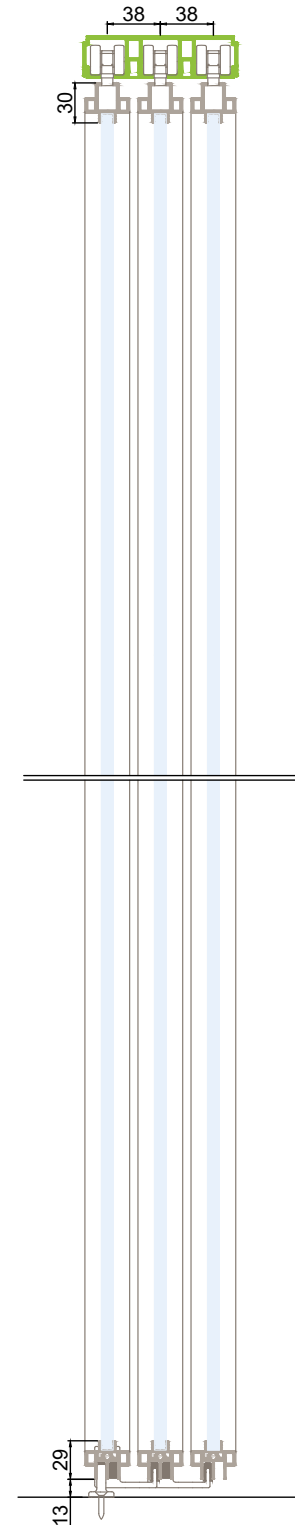
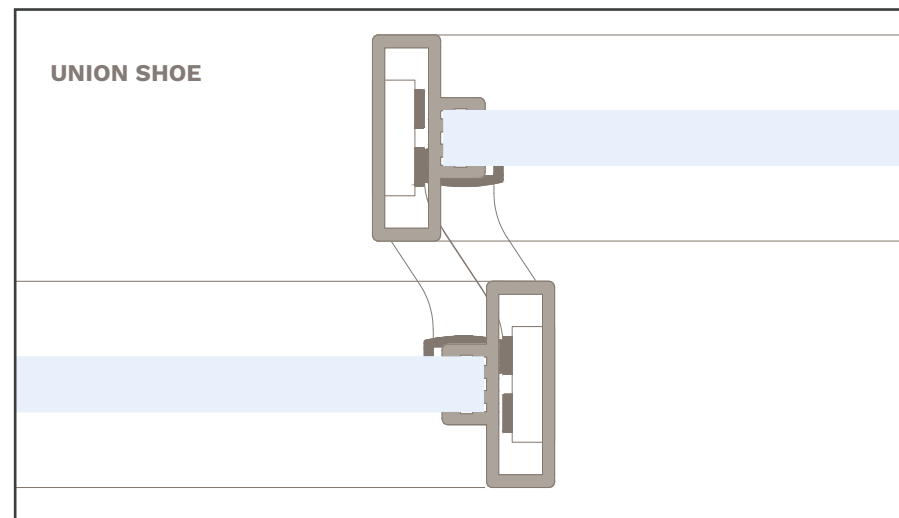
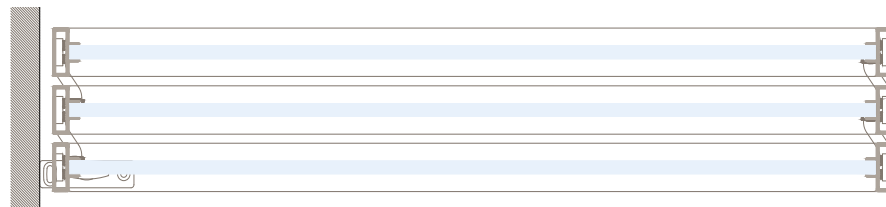
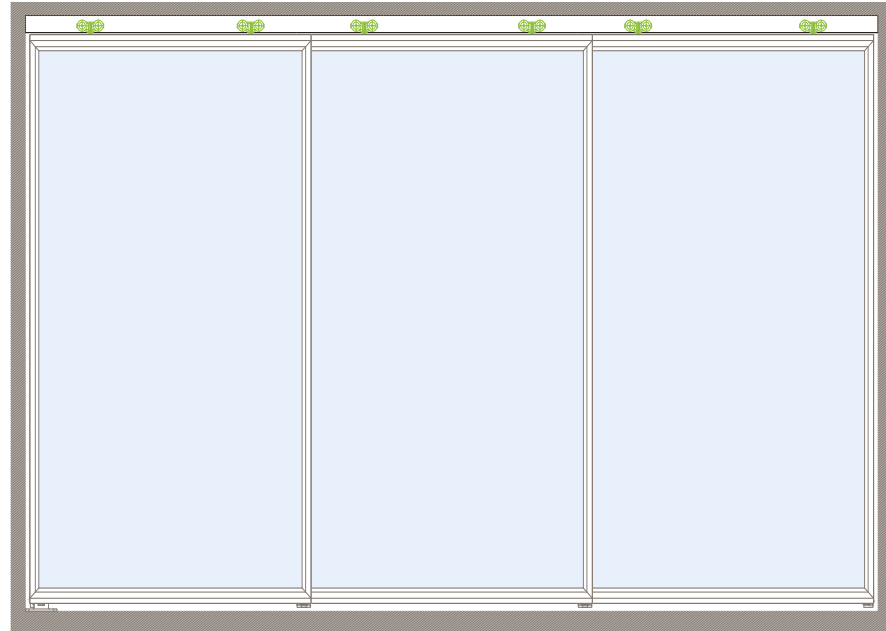
MODULE WITH GLASS



Base and height measurements allowed for AIR sliding partition with glass panel.

AIR

CONFIGURATION WITH GLASS

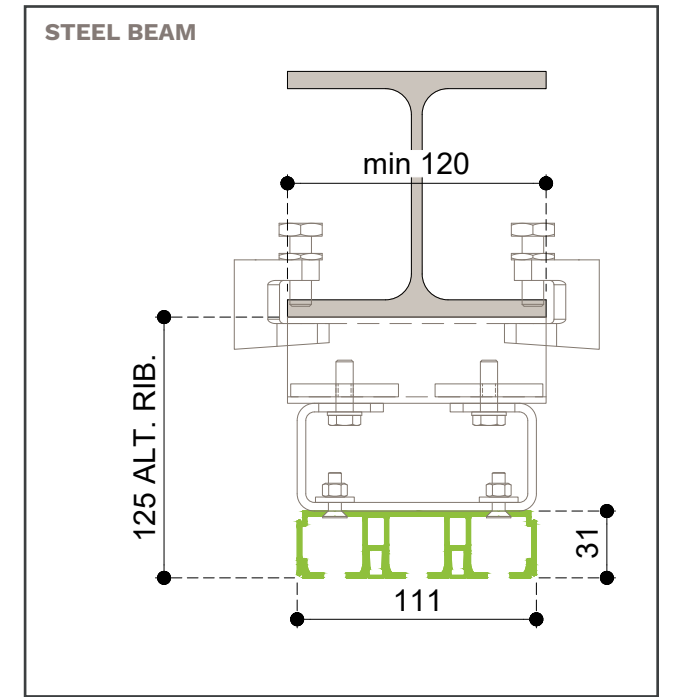
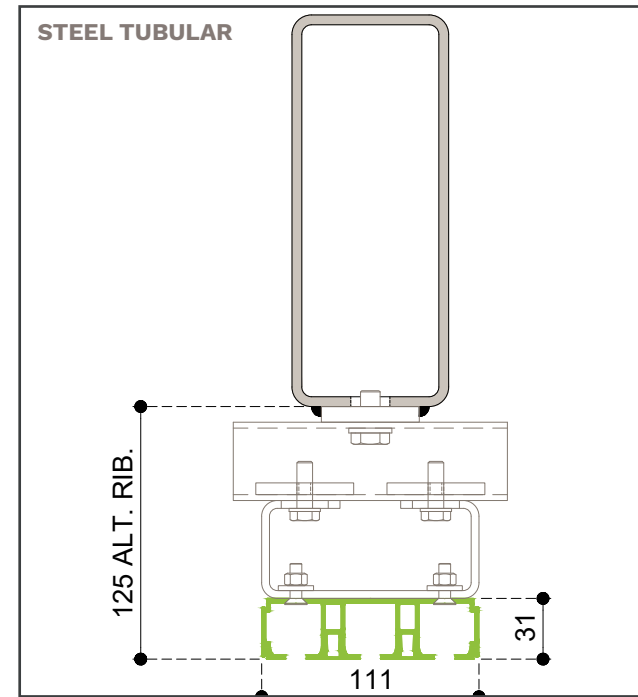
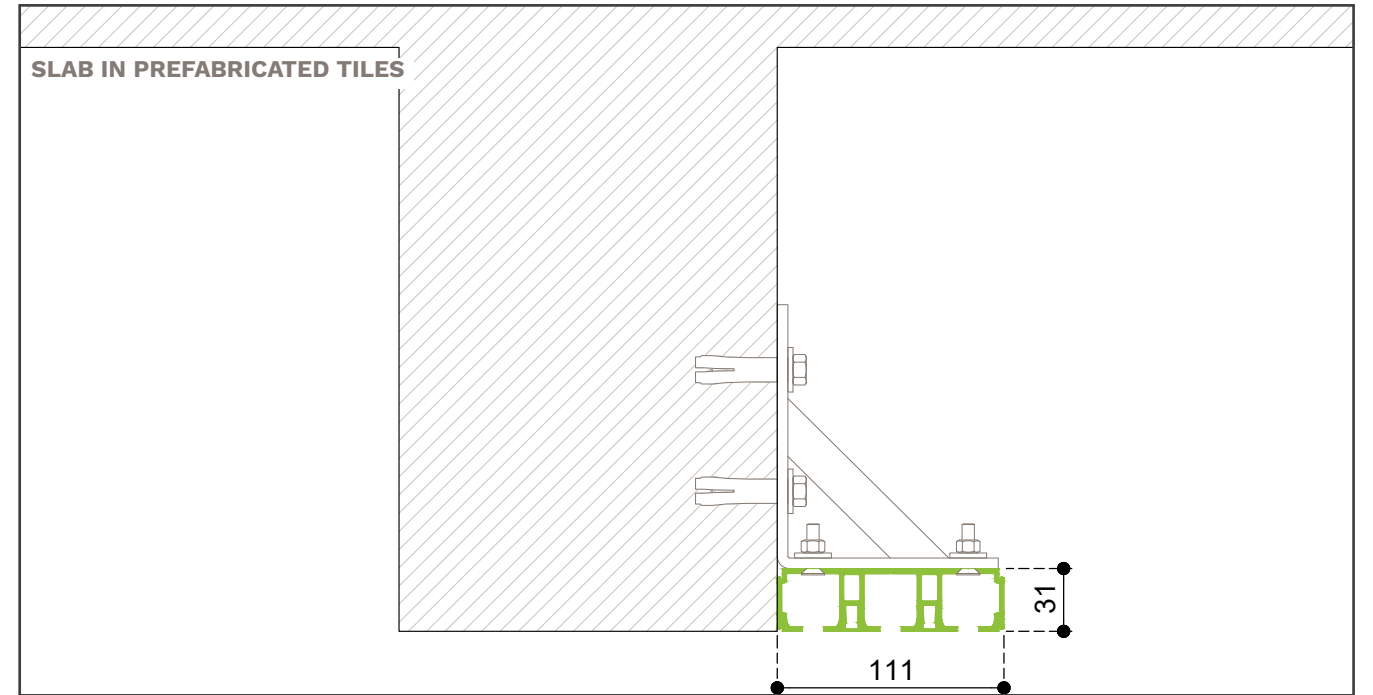
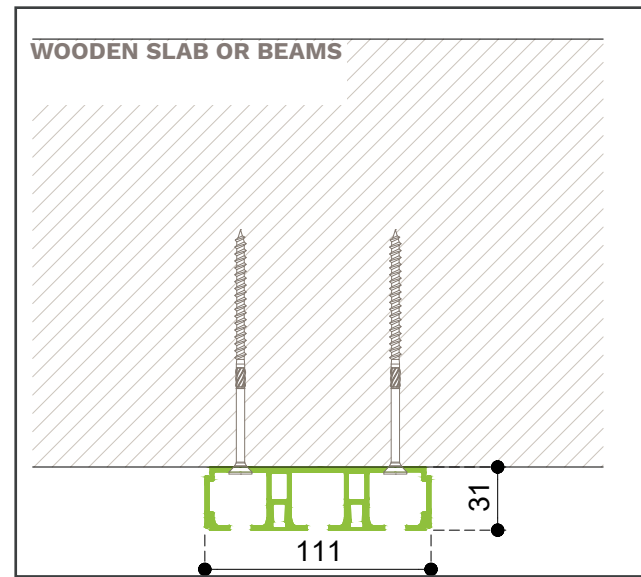
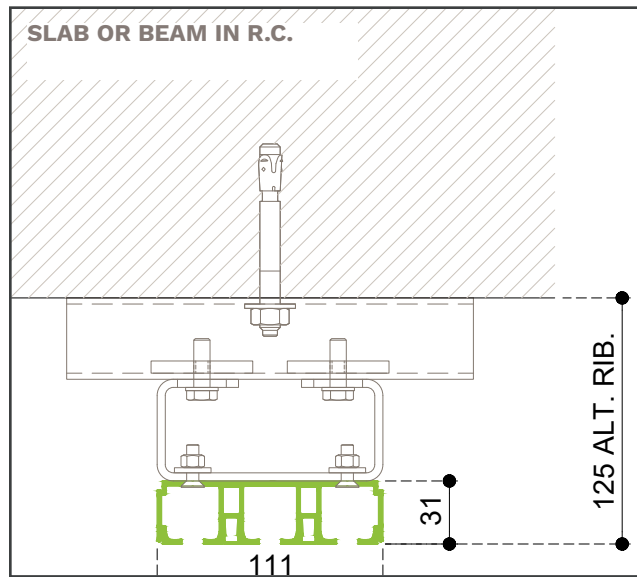
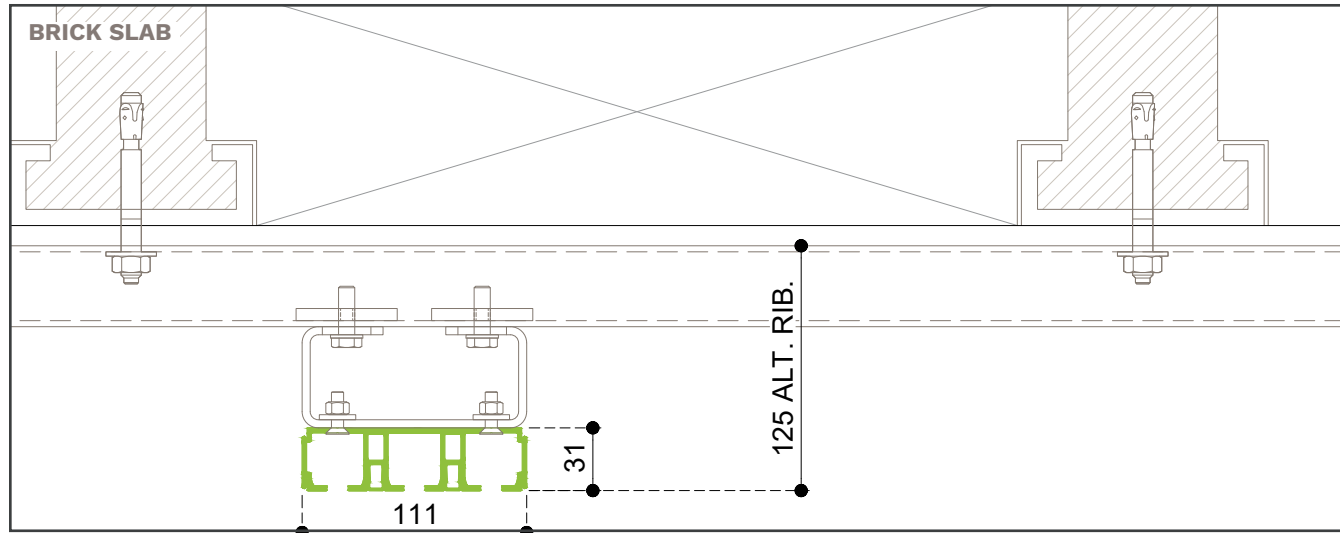


All Dimensions shown in mm

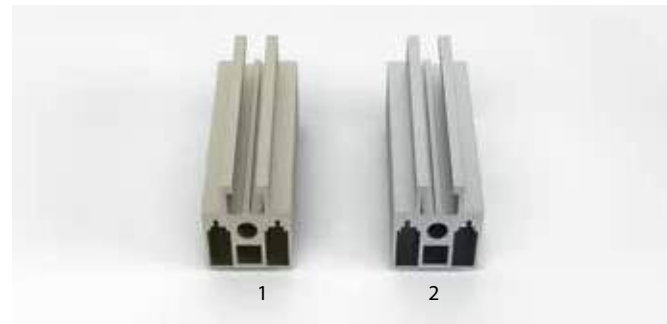
AIR

FITTING GUIDES

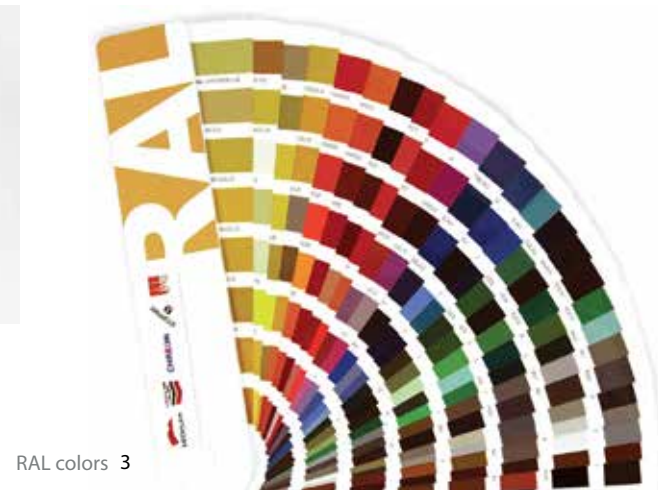
There are various types of fasteners for ARIA sliding wall guide.



PROFILES



- 1. Champagne
- 2. Silver
- 3. Varnished in RAL colors 10/20 gloss



RAL colors 3

MATT VARNISHING PROFILES



Matt White

Black

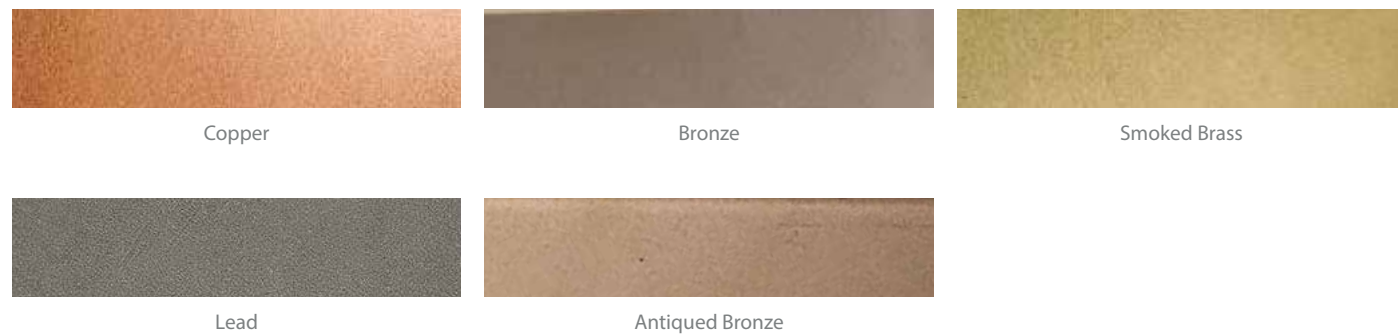
Matt Grey



Brown

Opaque Oil

METALLIC VARNISHING PROFILES



Copper

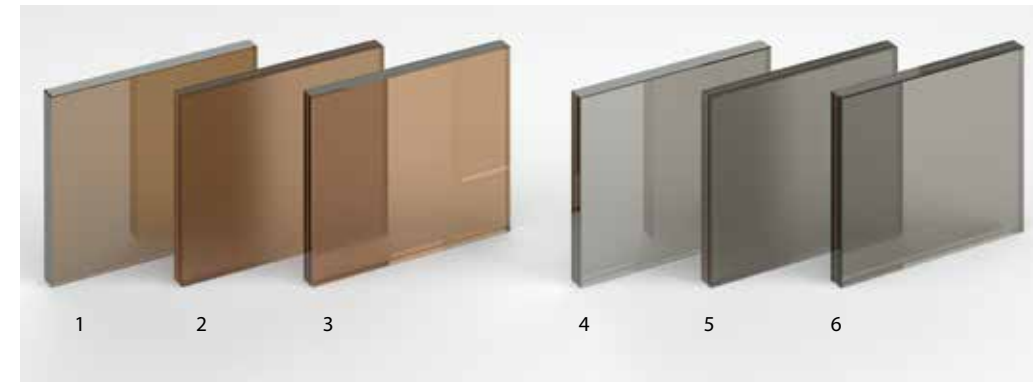
Bronze

Smoked Brass

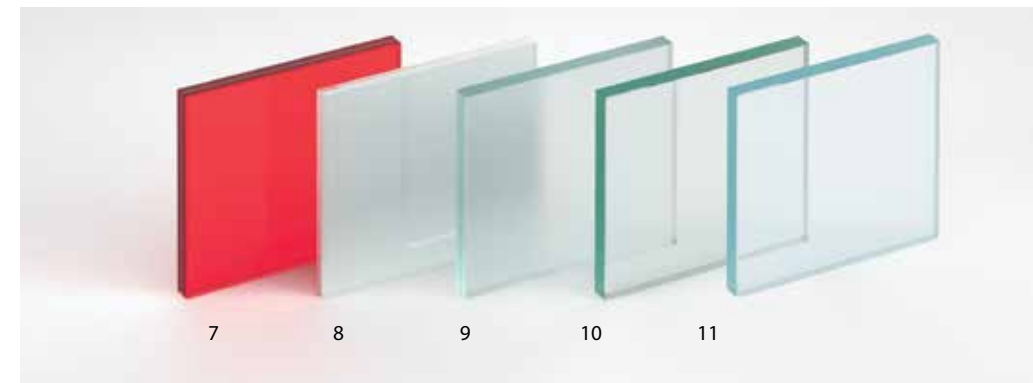
Lead

Antiqued Bronze

GLASSES



- 1. Reflective bronze
- 2. Etched bronze
- 3. Bronze
- 4. Reflective smoked
- 5. Etched smoked
- 6. Smoked
- 7. Coloured glass
- 8. Opaque milk white
- 9. White satin
- 10. Float
- 11. Extraclear



LAMINATED GLASS WITH FABRIC



Taoki 2.0 - 04 natural

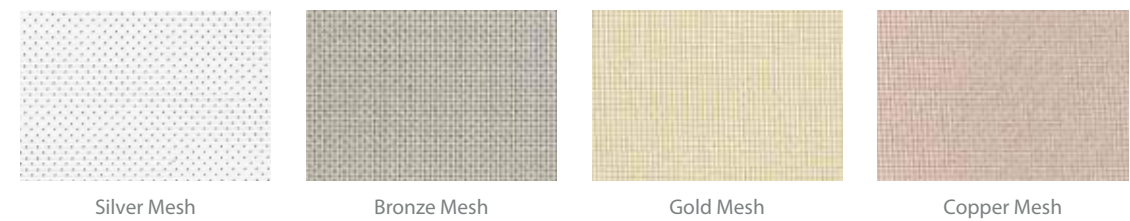
Taoki 2.0 - 05 graphite

Alabama - 03 natural

Alabama - 05 white

Alabama - 07 smoke

LAMINATED GLASS WITH MESH



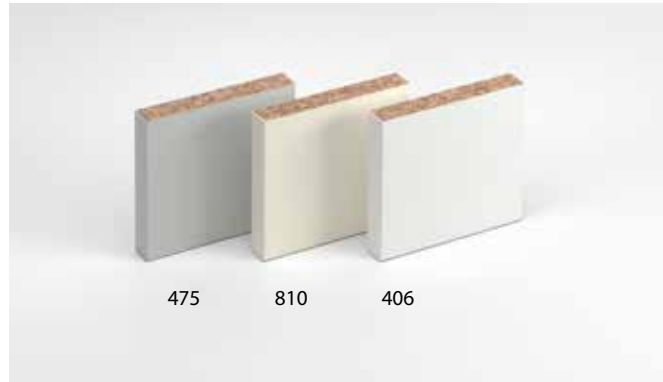
Silver Mesh

Bronze Mesh

Gold Mesh

Copper Mesh

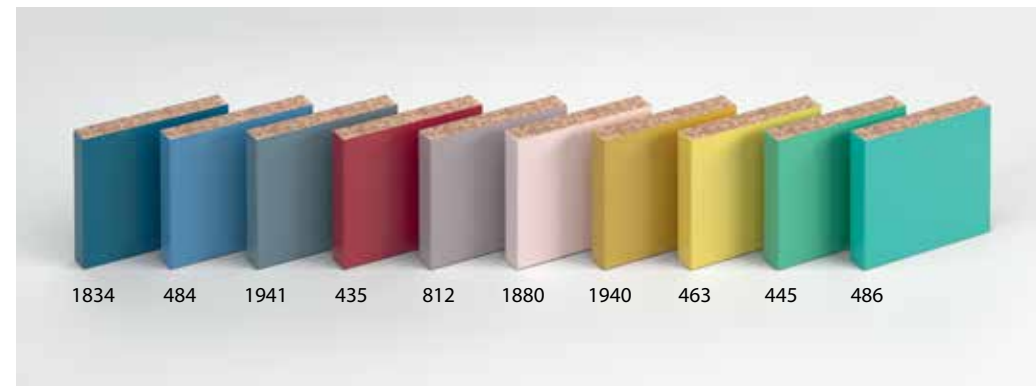
PANELS



CPL
Thickness: 0,4 mm
Finish: Sei

- 475. Grigio
- 810. Avorio
- 406. Bianco

Other finishes available upon request.



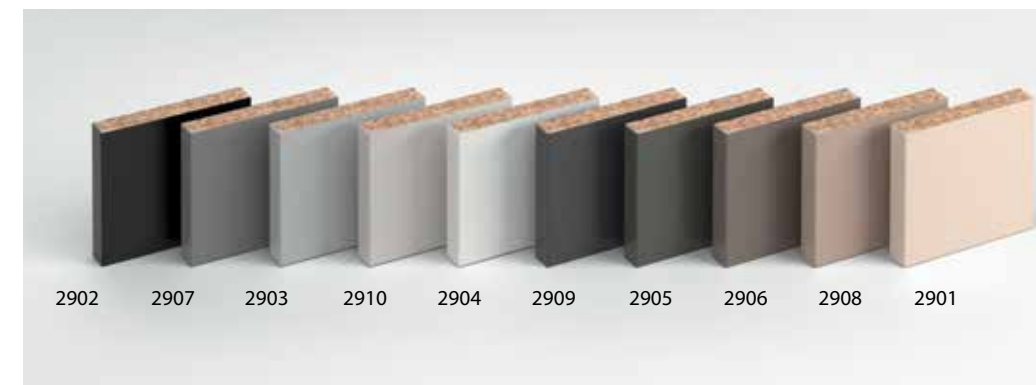
HPL Color Series
Thickness: 0,9 mm
Finish: Sei

- 1834. Circè
- 484. Blue Zaffiro
- 1941. Cadaques
- 435. Rosso Antico
- 821. Rosa viola
- 1880. Cipria
- 1940. India
- 463. Giallo Pom-Pom
- 445. Verde Chiaro
- 486. Azzurro Lago



HPL Wood Series Light / Dark
Thickness: 0,9 mm
Finish: Sei

- 670. Rovere Antico
- 679. Pino Varaita
- 619. Grey Maple
- 1960. Fenice Iside
- 673. Quercia Miele
- 386. Rovere Nazionale
- 639. Olmo Montano
- 680. Pino Susa
- 1961. Aurora Norvegia
- 1612. Teak Sumatra



Polaris Series
Thickness: 0,9 mm
Finish: Polaris

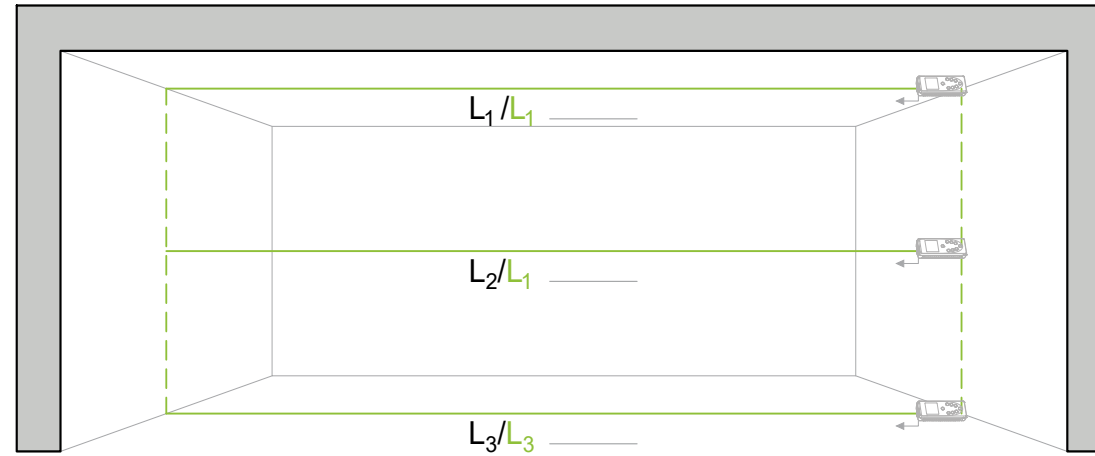
- 2902. Noir Pol
- 2907. Gris Foncé Pol
- 2903. Gris Perle Pol
- 2910. Gris Clair Pol
- 2904. Blanc Glace Pol
- 2909. Gris Graphite Pol
- 2905. Gris Cosmique Pol
- 2906. Gris Moven Pol
- 2908. Sahara Pol
- 2901. Sable Pol

FINISHES	AURA	AURA ZIP	HARMONIC	AIR
White, ivory or grey CPL laminate	●	●	●	●
HPL laminate Colours series	●	●	●	●
HPL laminate Wood series	●	●	●	●
Laminate white or black board	●	●	●	●
Polaris series laminate	●	●	●	●
Magnetic and writable series	●	●	●	●
Lacquered in any RAL colour			●	
Print on laminate			●	
Oxidized aluminum silver or champagne	●	●		●
Aluminum painted white RAL9010, black RAL9005	●	●		●
Aluminum painted in any RAL or NCS colour	●	●		●
Float laminated glass	●	●		●
Extraclear laminated glass	●	●		●
Satin white laminated glass	●	●		●
Matt milk white laminated glass	●	●		●
Laminated coloured glass	●	●		●
Bronze or Fumè laminated glass	●	●		●
Etched bronze or fumè laminated glass	●	●		●
Reflecting bronze or fumè laminated glass	●	●		●
Flute glass	●	●		●
Mirror	●	●		●
Laminated glass with fabric	●	●		●
Laminated glass with mesh	●	●		●

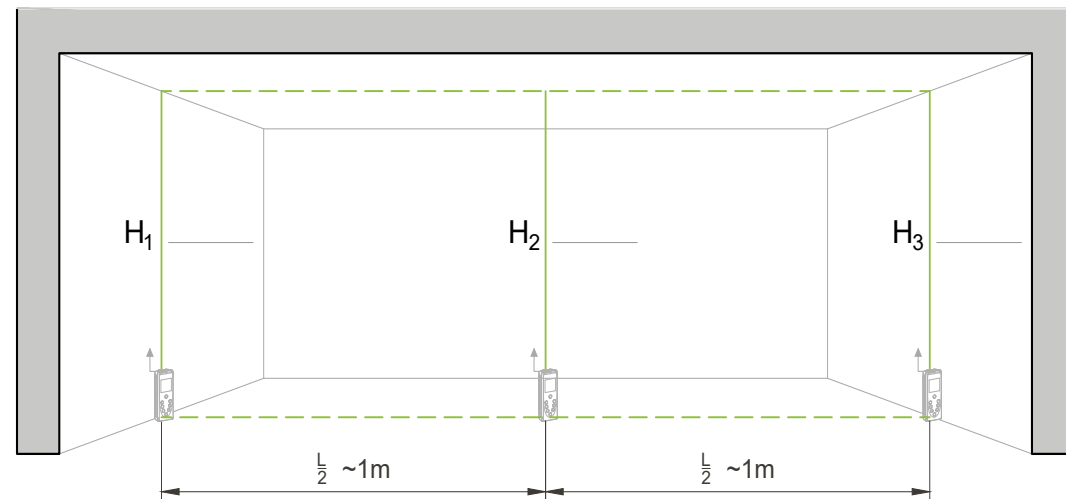
*customized finishes available - verify with CARVART

SURVEY INSTRUCTION

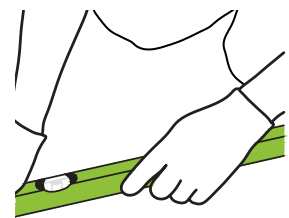
LENGTH: take measurements of the opening, at the top, bottom and mid point



HEIGHT: take measurements of the opening, at the left, centre, right (or else every meter)



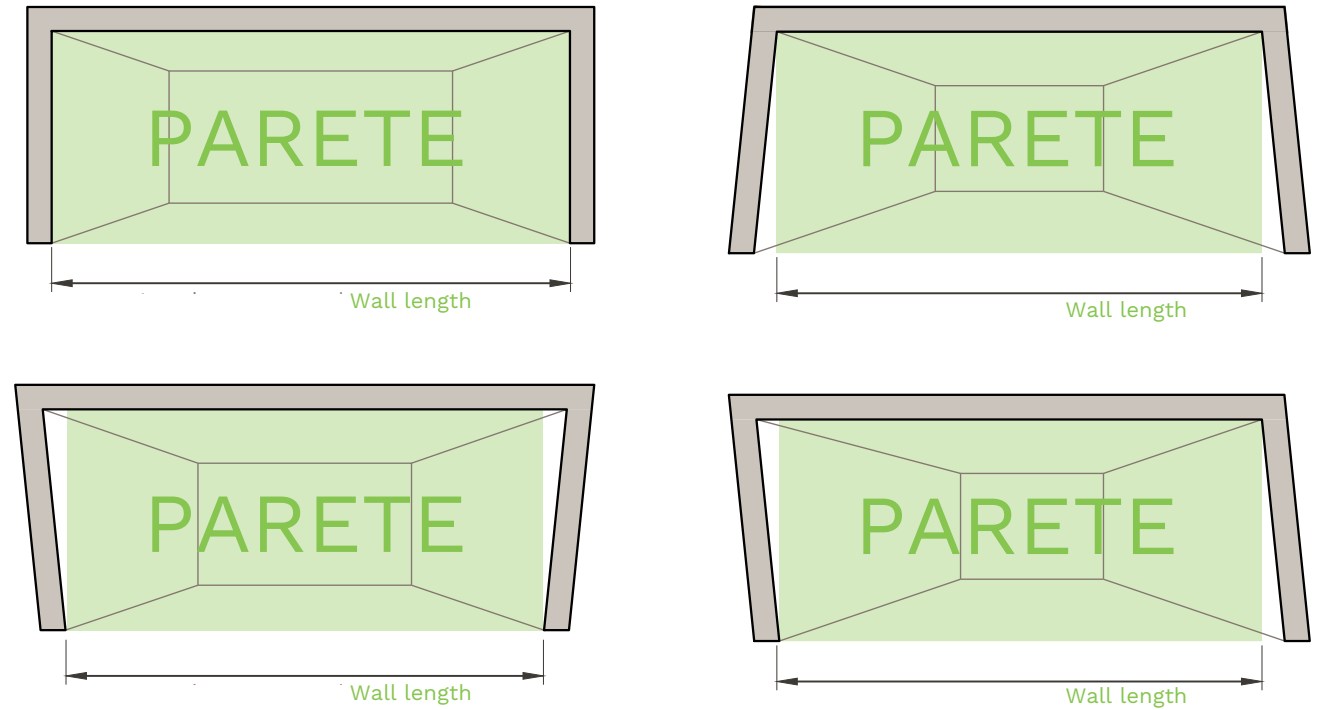
Please make sure to take measurements as upright as possible



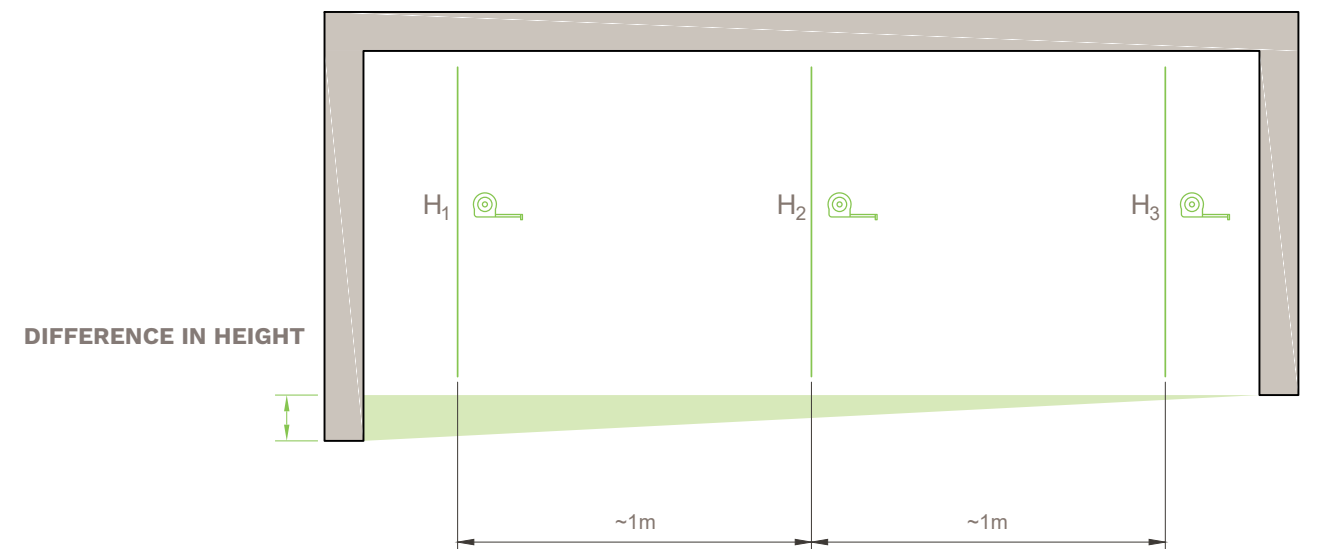
Max floor unevenness over the wall length ± 5 mm

HOW TO TAKE MEASUREMENTS

In case of overhanging walls, provide the length as shown in the diagrams.



With the presence of a difference in height, the lowest height must be used to design the wall.



-inches with metric dimension

