



## glassBOARDS > SLIDING TRACK

### GLASS

Low-iron Tempered Safety Glass.

### GLASS FINISHES

Opaque (B).

### SURFACES

Smooth (S). Polished edges.

### MOUNTING ORIENTATION

Horizontal sliding tracks. Option of static panels and sliders or all sliding panels. Top mount or side wall mount options.

### STANDARD WIDTHS (Top-mounted layout options):

*Offered with one-direction and two-direction sliders*

SlideTrack 2x1	42, 48, 54, 60, 66 and 72"
SlideTrack 2x2	42, 48, 54, 60, 66 and 72"
SlideTrack 3x2	42, 48, 54, 60, 66 and 72"
SlideTrack 3x2	60, 66, 72, 78, 84, 90, 96, 102 and 108"
SlideTrack 3x3	60, 66, 72, 78, 84, 90, 96, 102 and 108"
SlideTrack 4x2	84, 90, 96, 102, 108, 114, 120, 126, 132, 138 and 144"
SlideTrack 4x3	84, 90, 96, 102, 108, 114, 120, 126, 132, 138 and 144"
SlideTrack 4x4	84, 90, 96, 102, 108, 114, 120, 126, 132, 138 and 144"
SlideTrack 6x4	10' to 18.5' in every 6" increment
SlideTrack 6x4	84, 90, 96, 102, 108, 114, 120, 126, 132, 138 and 144"
SlideTrack 8x6	13.5' to 24.5' in every 6" increment

### STANDARD WIDTHS (Side-mounted layout options):

*Offered with one-direction and two-direction sliders*

SlideTrack 2x1	42, 48, 54, 60, 66 and 72"
SlideTrack 2x2	42, 48, 54, 60, 66 and 72"
SlideTrack 3x2	60, 66, 72, 78, 84, 90, 96, 102 and 108"
SlideTrack 3x3	60, 66, 72, 78, 84, 90, 96, 102 and 108"
SlideTrack 4x3	60, 66, 72, 78, 84, 90, 96, 102 and 108"
SlideTrack 8x6	9.5' to 18' in every 6" increment

### THICKNESS

3/8" thick glass panels.

### STANDARD HEIGHTS (inches):

48, 60 and 72

### STANDARD DEPTHS:

Mounting tracks require 4" – 6" based on layout selected. Wall cavity openings may be deeper based on concealed display monitors or shelving.

### FUNCTION

Writable with markers without ghosting. Non-Magnetic and Magnetic options.

### MOUNTING HARDWARE

Exposed or concealed top mounted track or side mounted to a wall. Ceiling or wall blocking required. Tracks designed for 2, 3, 4, 6 or 8 glassBOARDS, based on option selected.

### FRAME FINISHES

Standard in Aluminum (FAL). Black (F21) and Winter White (F06) at an upcharge.

### ACCESSORIES

Magnets post on all magnetic glassBOARDS, front and interior panels. Magnetic Marker Holders, Erasers, Rails attach on exterior sliding panels only.

### CUSTOMIZATION

Special sizes and configurations available upon request.

### WARRANTY

5-year product assurance.

- Designed for up to eight sliding panels
- Telescopic movement
- Built-in wall-to-wall appearance
- Conceals monitors or storage
- Multiple heights and widths
- Writable and postable
- Ceiling or side wall mounting
- Choice of 30 opaque colors



SlideTrack 4x2

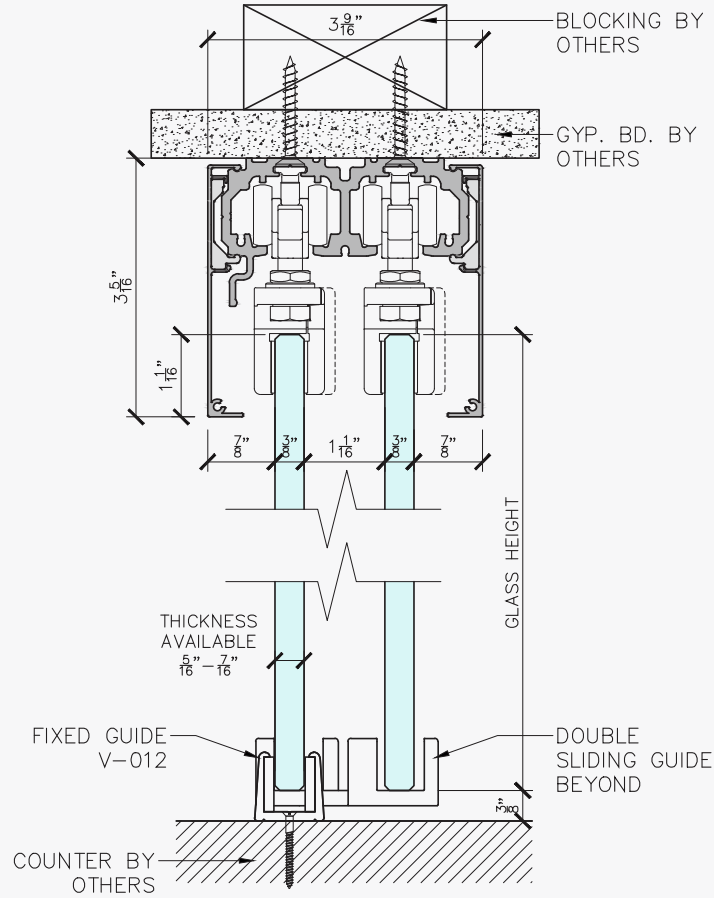


SlideTrack 8x6

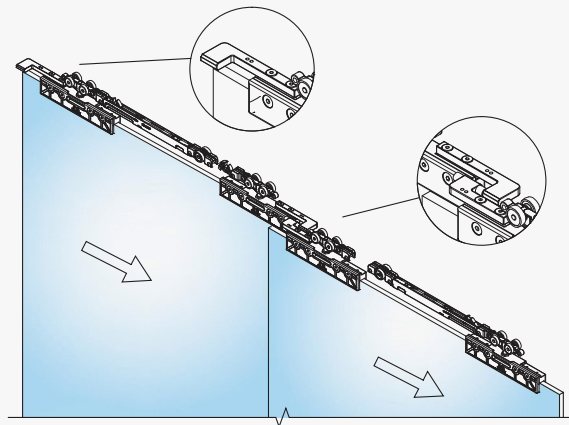
When your presentation space demands a high degree of function and sophistication, **glassBOARDS, Sliding Track** provide a multitude of options to the presenter. CARVART's Sliding Track system allows multiple glass panels to slide easily in one-direction from the side or in two directions to the center, so numerous glassBOARDS can be used simultaneously or are available to hide sensitive information on a rear panel. Users can post visual materials on magnetic panels and just slide them away during a meeting.

The system is designed to surround flat screen display monitors that mount behind the track so when open, glassBOARDS and the monitor can be used concurrently or when desired, close the doors to hide the monitor behind. glassBOARDS, Sliding Track can mount within an enclosed room cavity or simply hang from an overhead soffit to add appeal and versatility to your conference rooms. Offered in a variety of colors and sizes, this solution is an upscale design for facilities looking for progressive innovation.

## SlideTrack 2x1 Top Mount



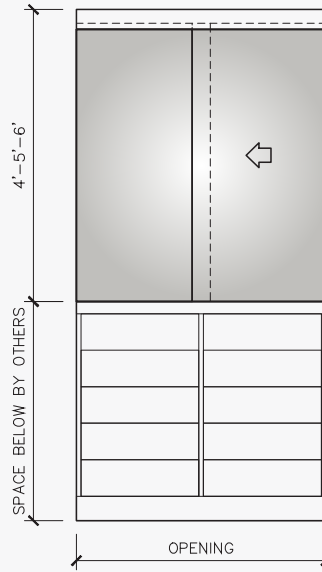
### Section



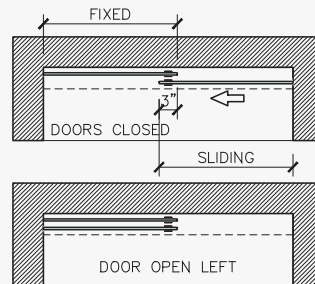
### Telescopic detail

## SlideTrack 2x1 Top Mount

**Standard widths** (inches):  
42, 48, 54, 60, 66 and 72

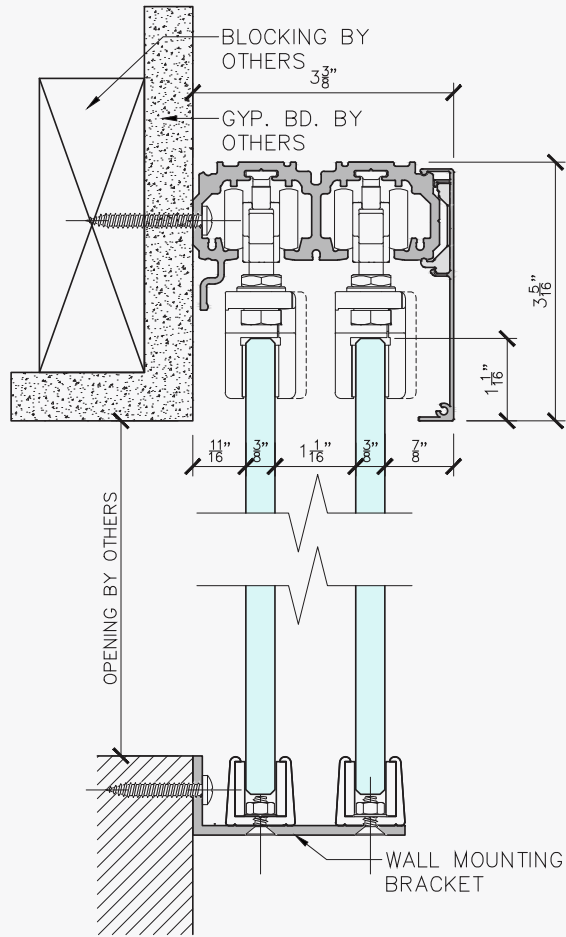


### Elevation

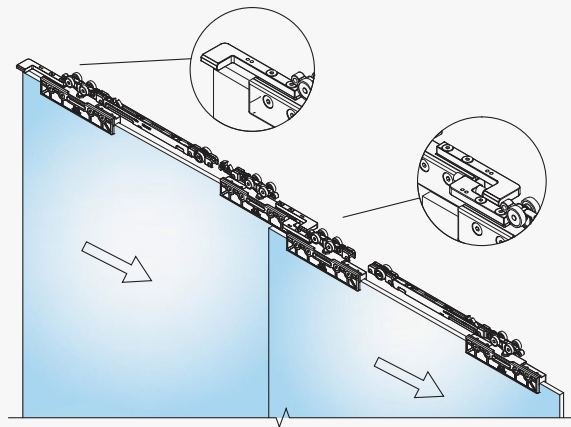


### Floor plan

## SlideTrack 2x1 Side Mount



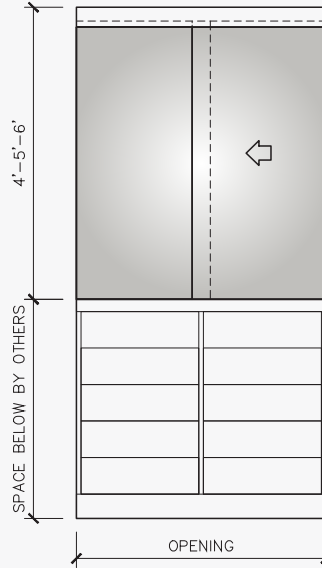
### Section



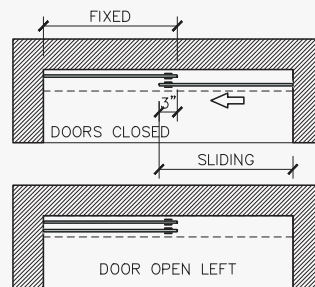
### Telescopic detail

## SlideTrack 2x1 Side Mount

**Standard widths** (inches):  
42, 48, 54, 60, 66 and 72

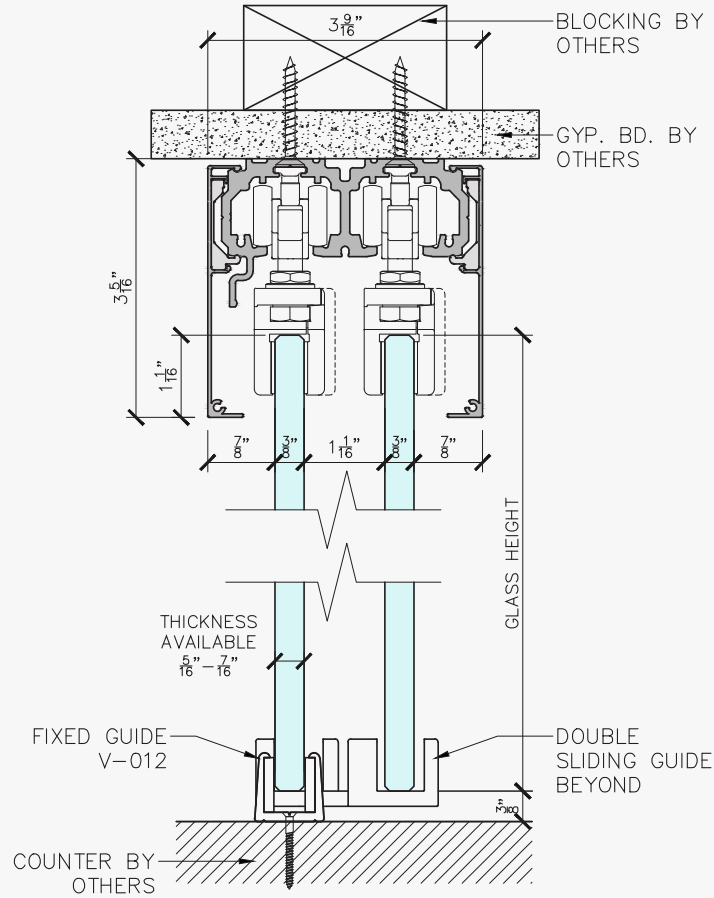


### Elevation

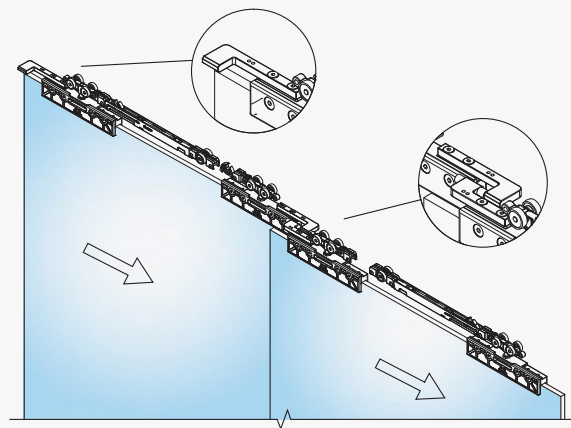


### Floor plan

## SlideTrack 2x2 Top Mount



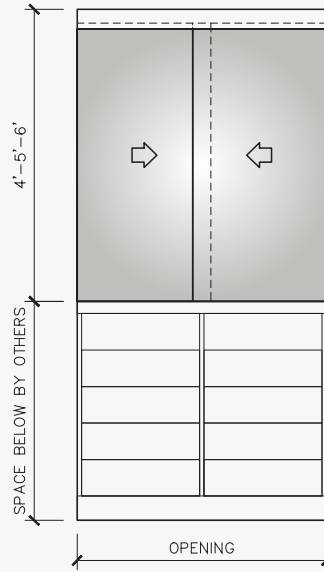
### Section



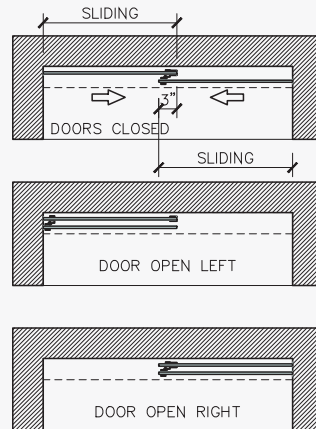
### Telescopic detail

## SlideTrack 2x2 Top Mount

**Standard widths** (inches):  
42, 48, 54, 60, 66 and 72



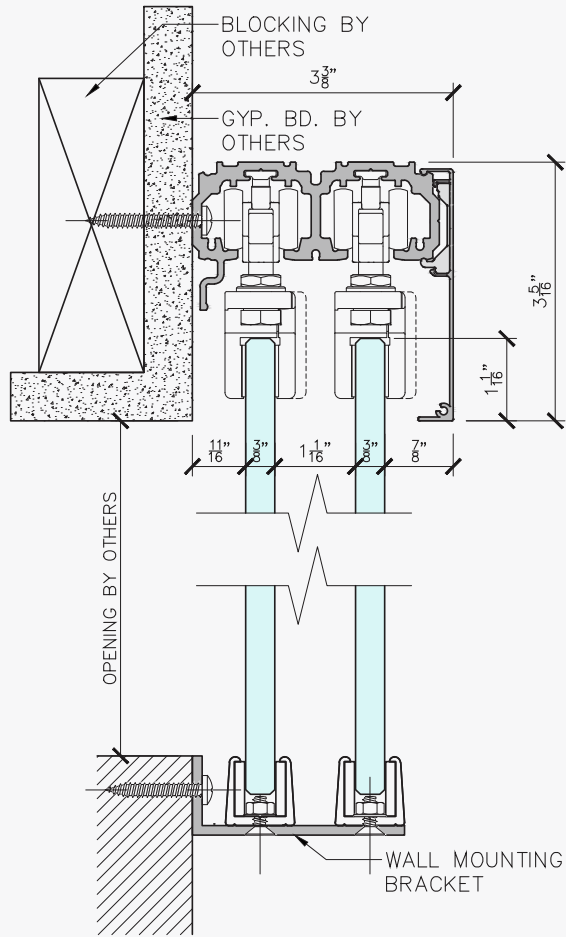
### Elevation



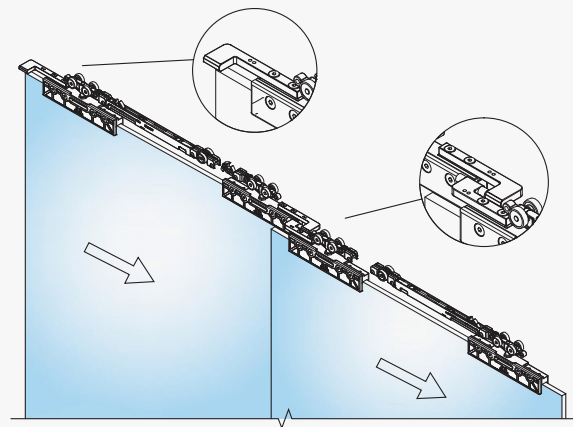
### Floor plan



## SlideTrack 2x2 Side Mount



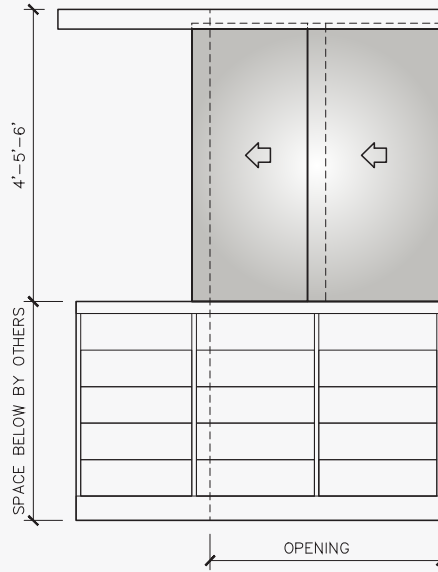
### Section



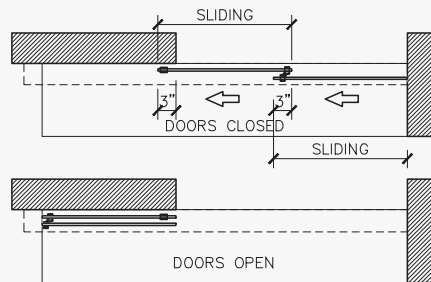
### Telescopic detail

## SlideTrack 2x2 Side Mount

**Standard widths (inches):**  
42, 48, 54, 60, 66 and 72

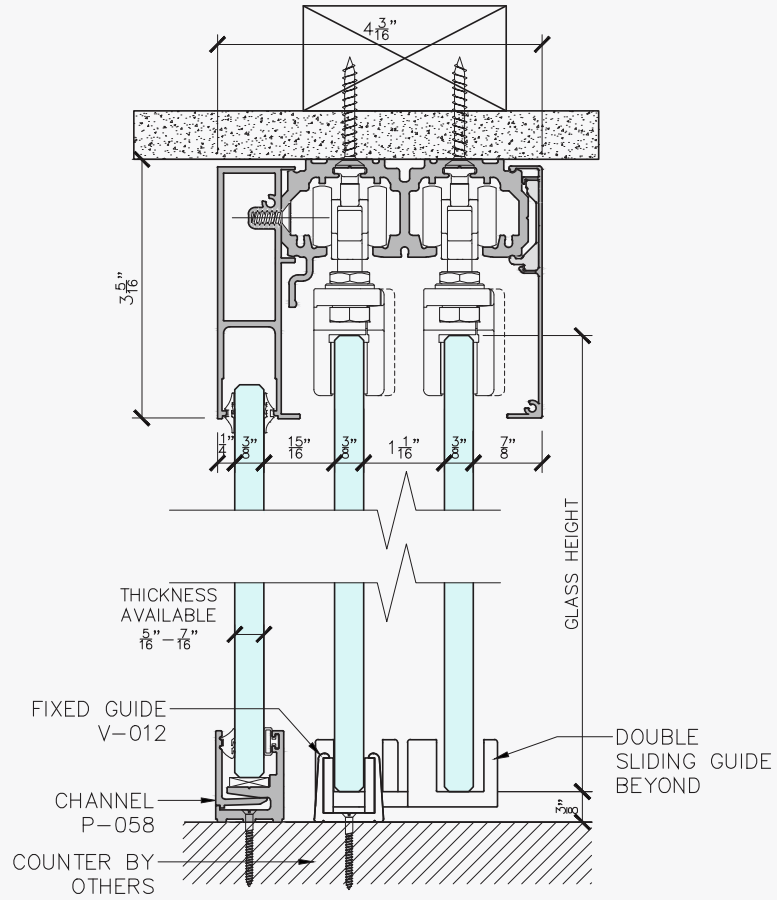


### Elevation

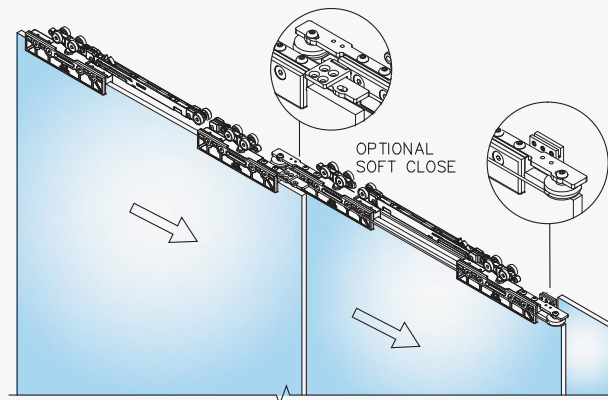


### Floor plan

## SlideTrack 3x2 Top Mount



### Section

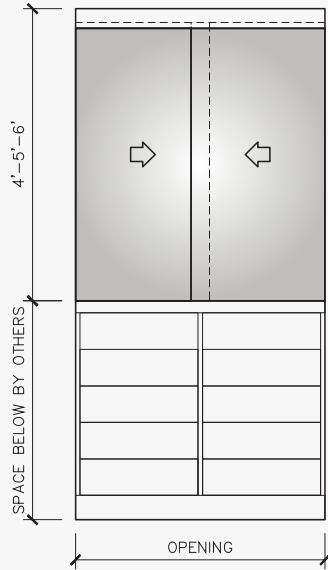


### Telescopic detail

## SlideTrack 3x2 Top Mount

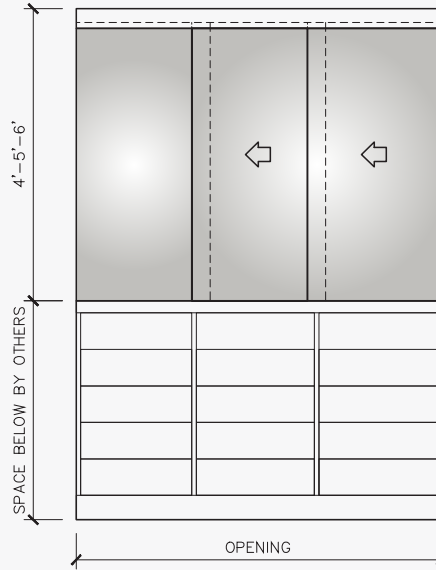
**Standard widths (inches):**  
42, 48, 54, 60, 66 and 72

Overlapping Doors

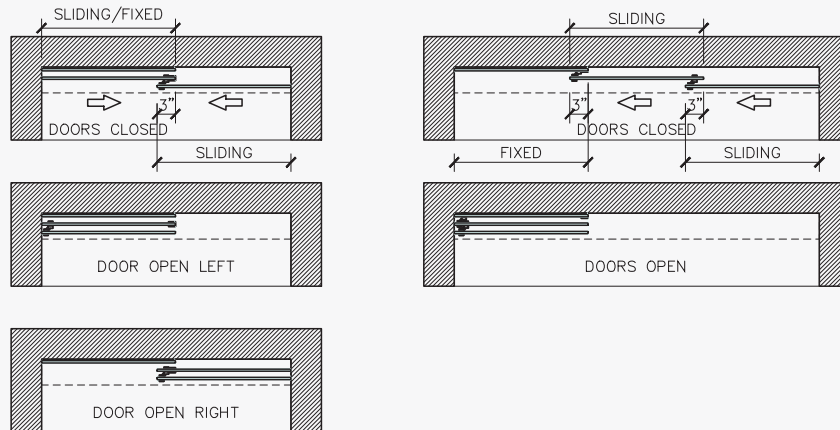


**Standard widths (inches):**  
60, 66, 72, 78, 84, 90, 96, 102 and 108

Offset Doors

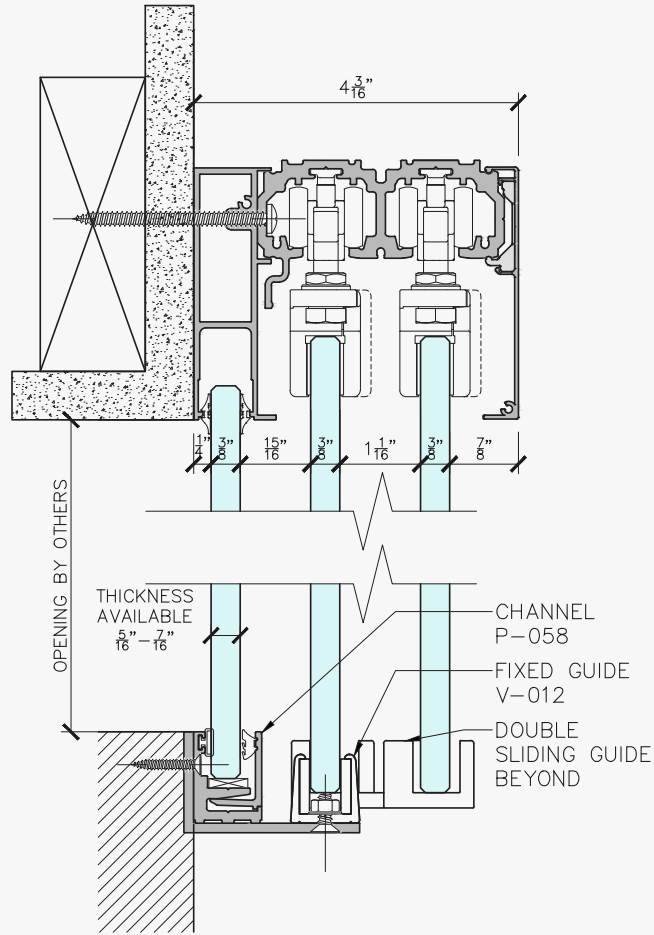


### Elevation

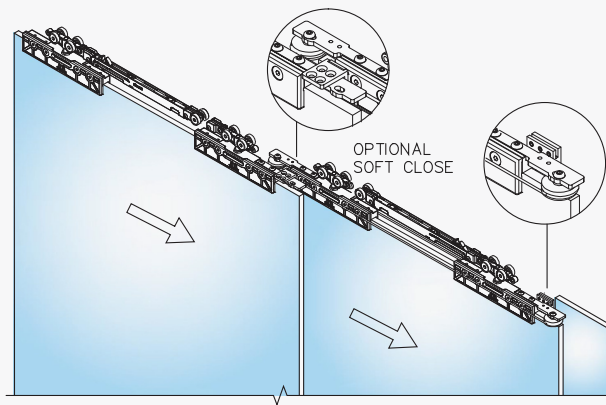


### Floor plan

## SlideTrack 3x2 Side Mount



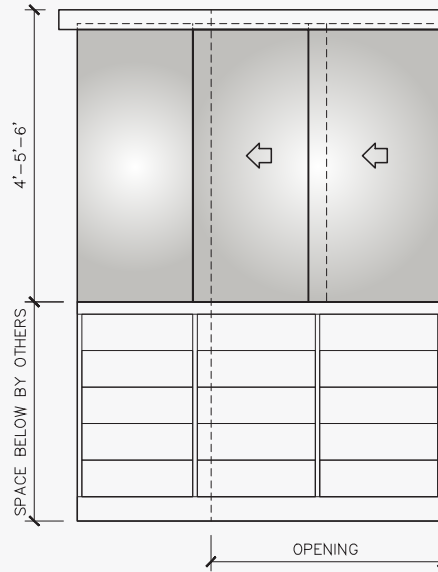
### Section



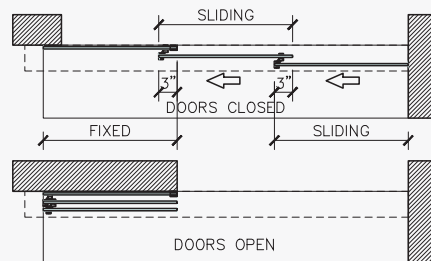
### Telescopic detail

## SlideTrack 3x2 Side Mount

**Standard widths (inches):**  
60, 66, 72, 78, 84, 90, 96, 102 and 108

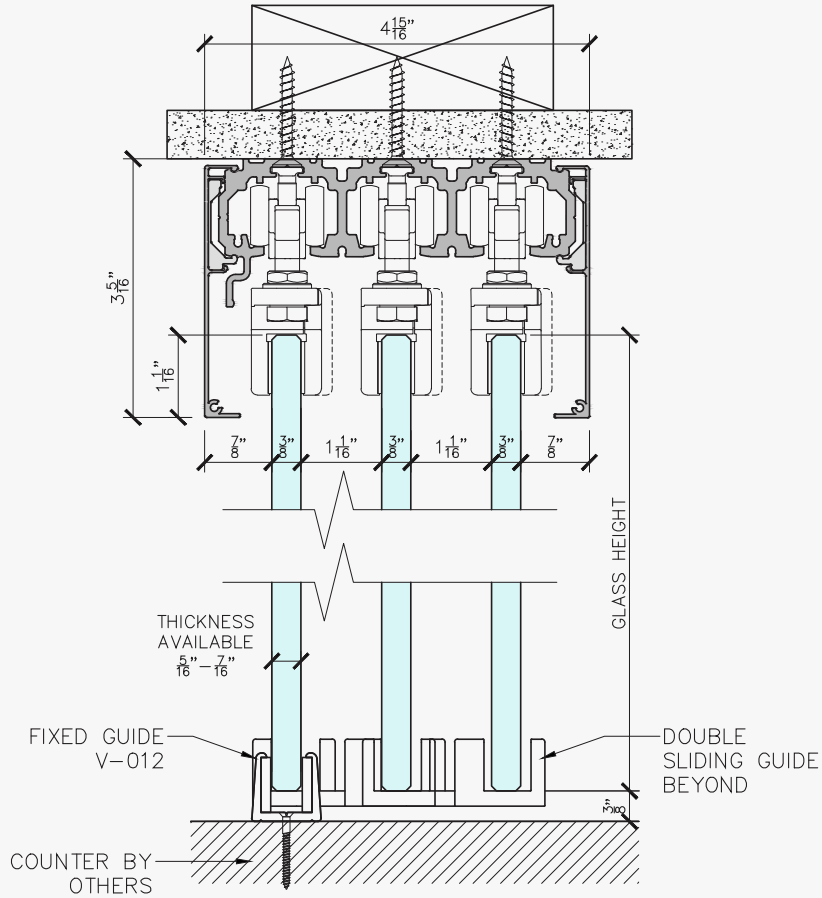


### Elevation

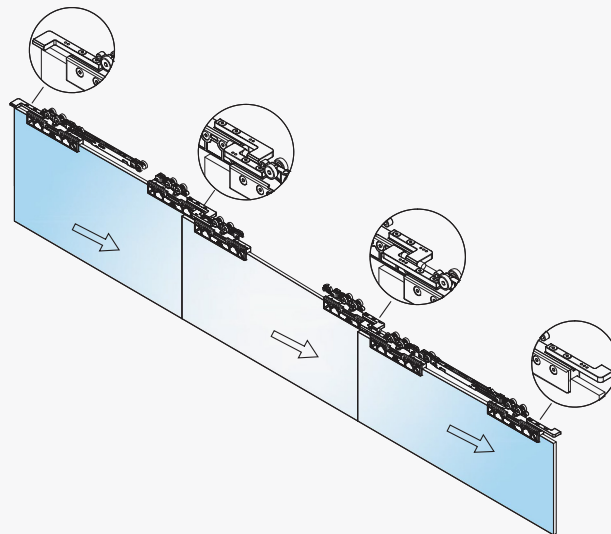


### Floor plan

## SlideTrack 3x3 Top Mount



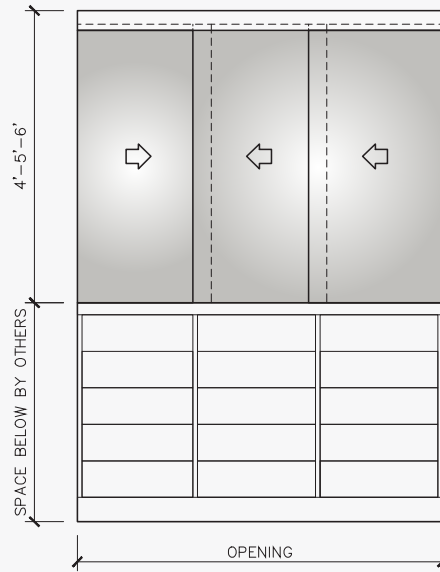
### Section



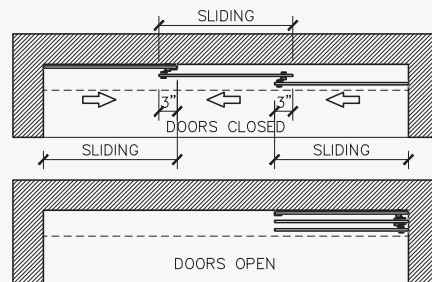
### Telescopic detail

## SlideTrack 3x3 Top Mount

**Standard widths** (inches):  
60, 66, 72, 78, 84, 90, 96, 102 and 108



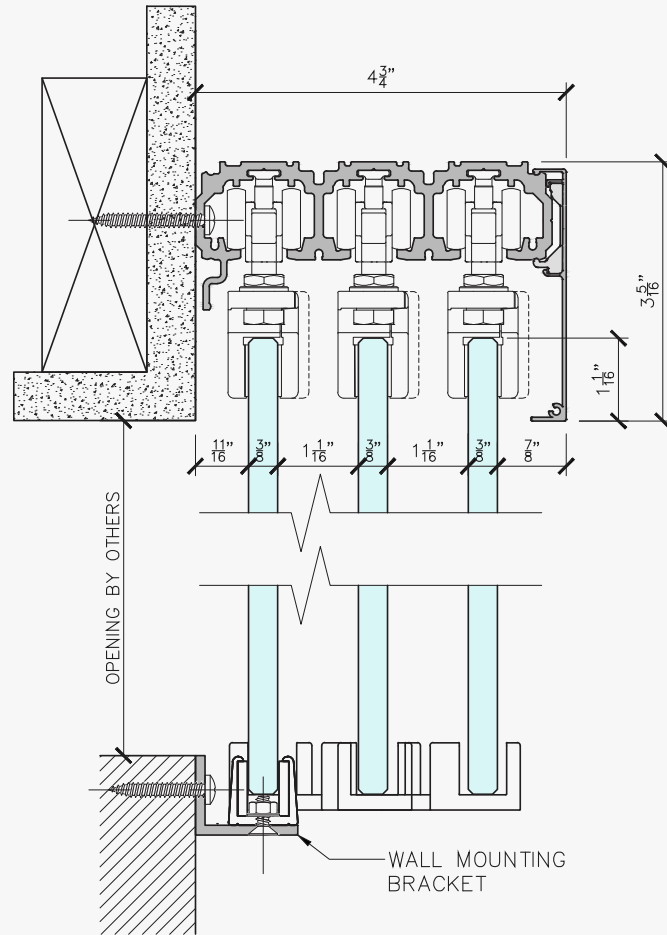
### Elevation



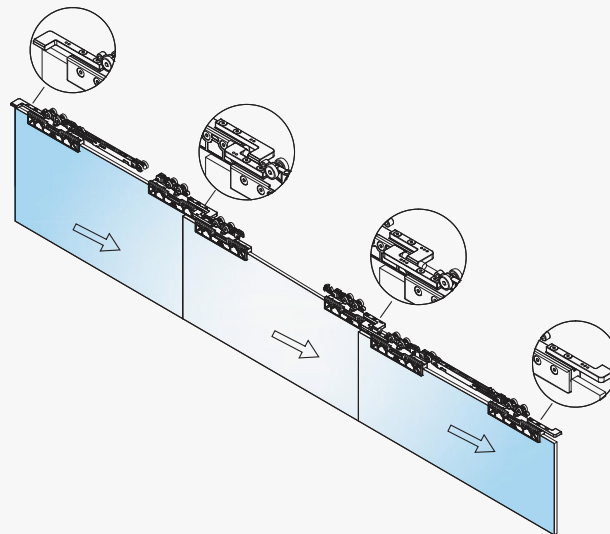
### Floor plan



## SlideTrack 3x3 Side Mount



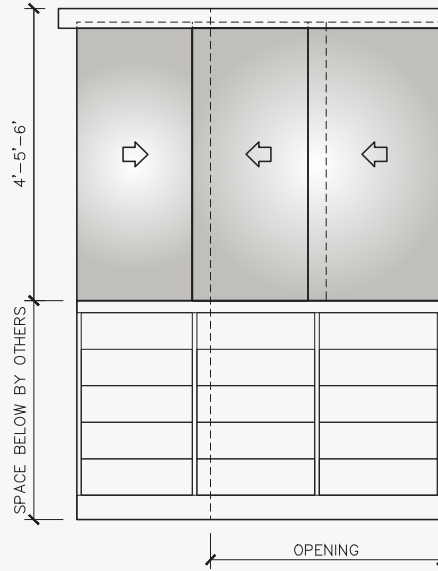
### Section



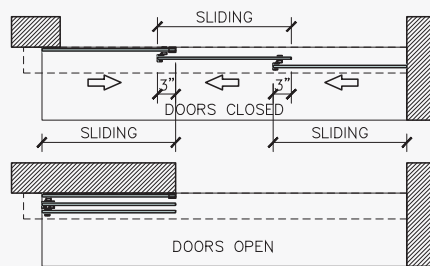
### Telescopic detail

## SlideTrack 3x3 Side Mount

**Standard widths (inches):**  
60, 66, 72, 78, 84, 90, 96, 102 and 108

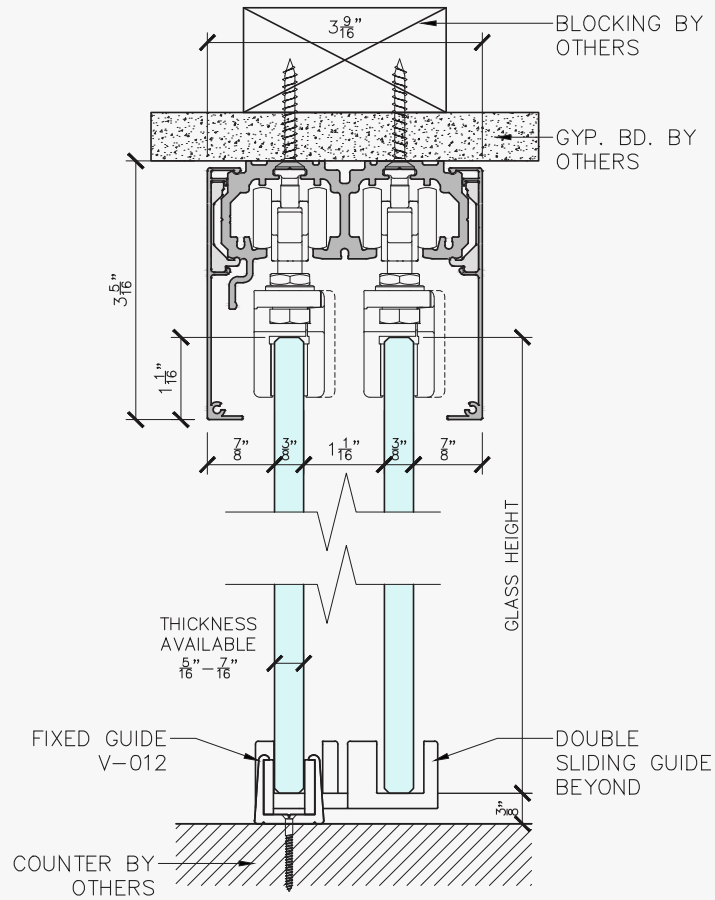


### Elevation

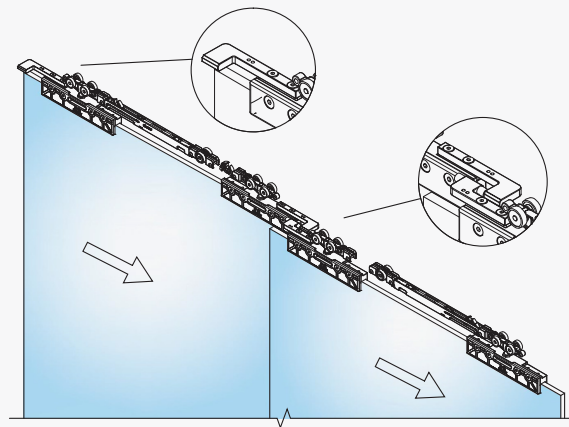


### Floor plan

## SlideTrack 4x2 Top Mount



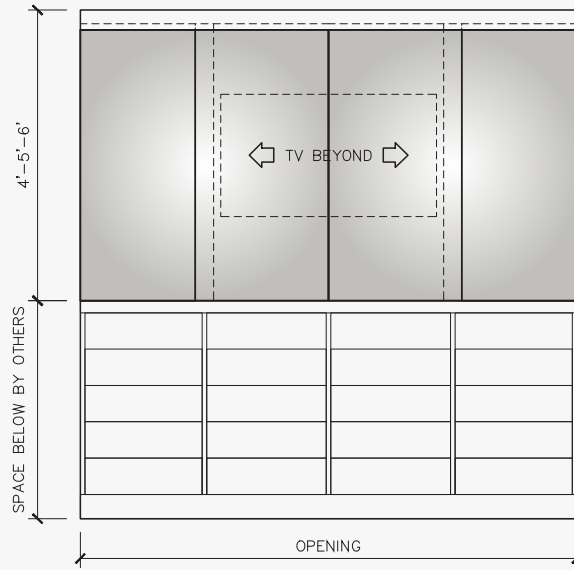
### Section



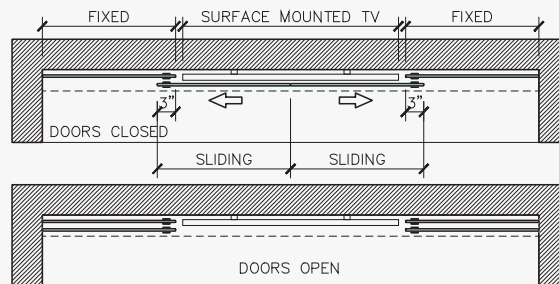
### Telescopic detail

## SlideTrack 4x2 Top Mount

**Standard widths (inches):**  
 84, 90, 96, 102, 108, 114, 120,  
 126, 132, 138 and 144

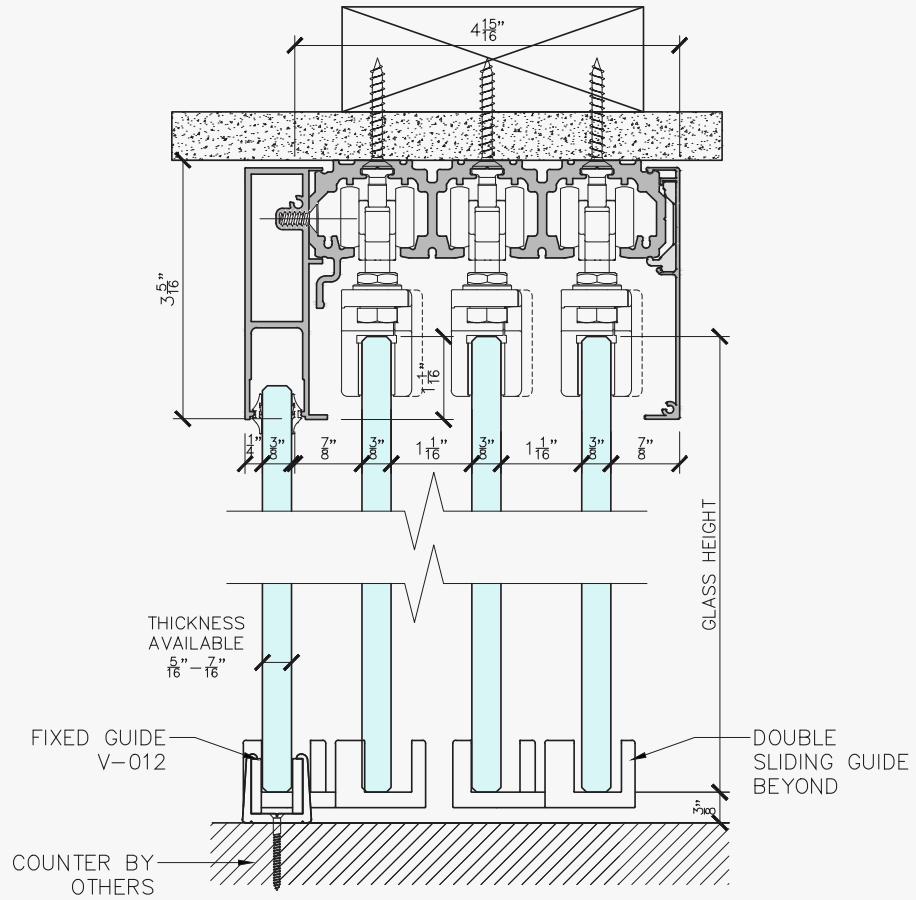


### Elevation

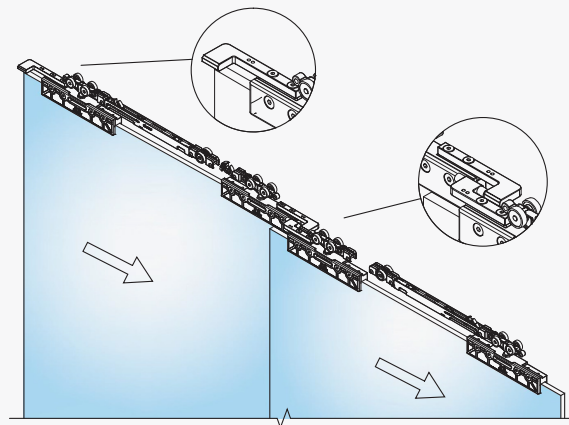


### Floor plan

## SlideTrack 4x3 Top Mount



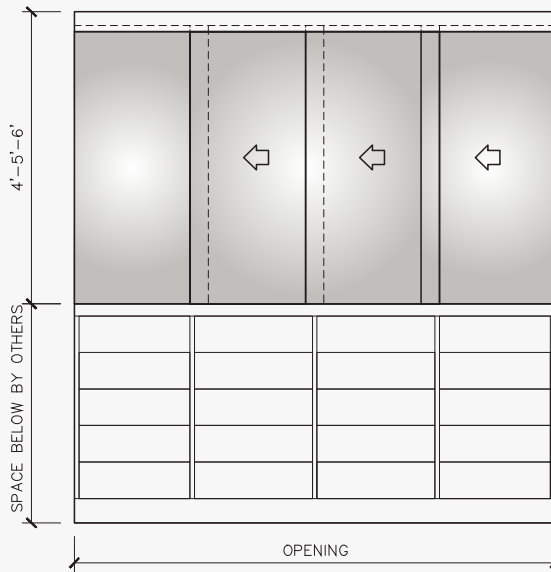
### Section



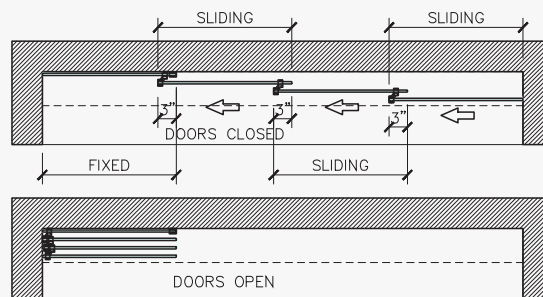
### Telescopic detail

## SlideTrack 4x3 Top Mount

**Standard widths (inches):**  
 84, 90, 96, 102, 108, 114, 120,  
 126, 132, 138 and 144

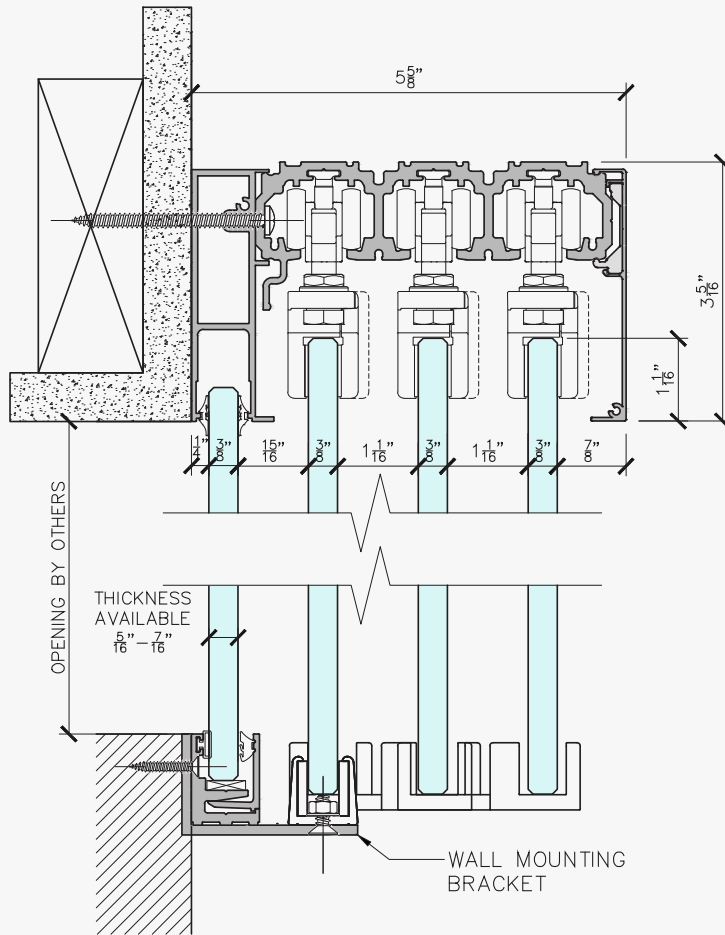


### Elevation

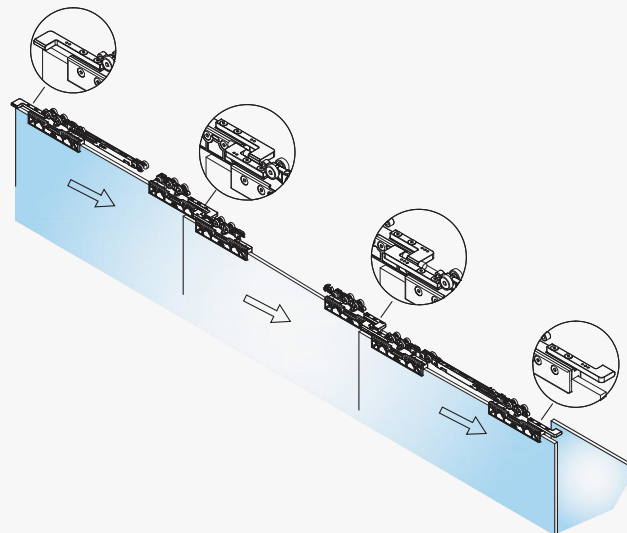


### Floor plan

## SlideTrack 4x3 Side Mount



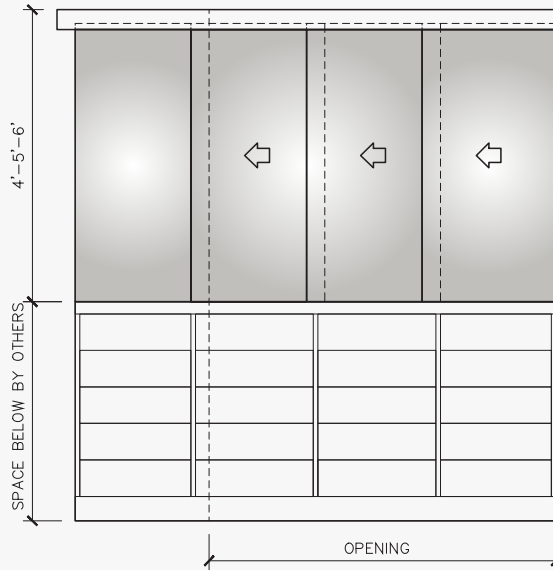
### Section



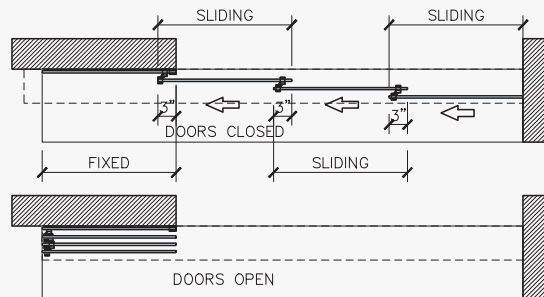
### Telescopic detail

## SlideTrack 4x3 Side Mount

**Standard widths (inches):**  
60, 66, 72, 78, 84, 90, 96, 102 and 108



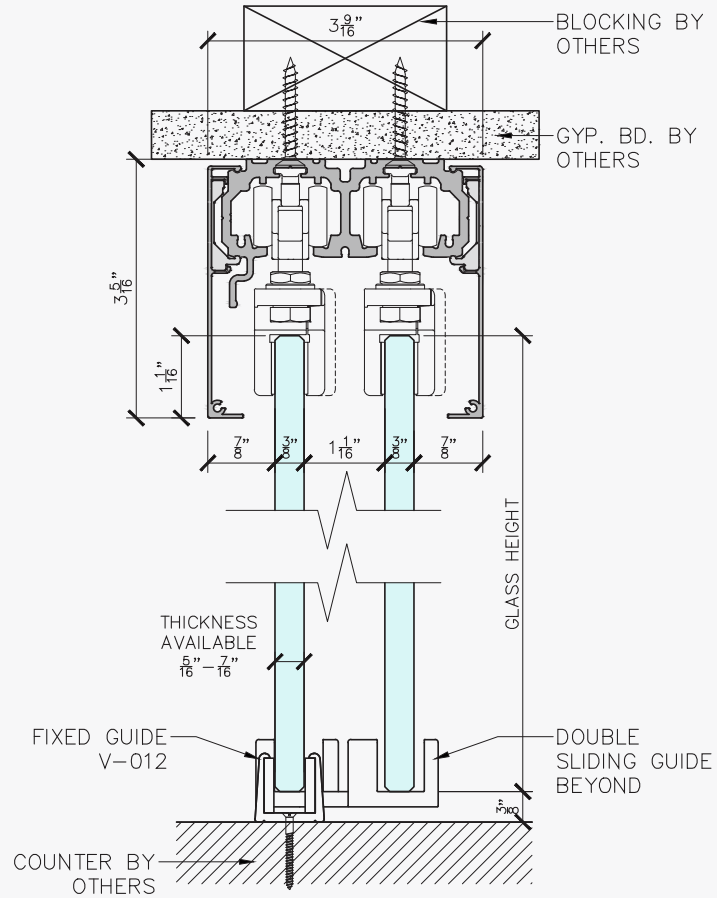
### Elevation



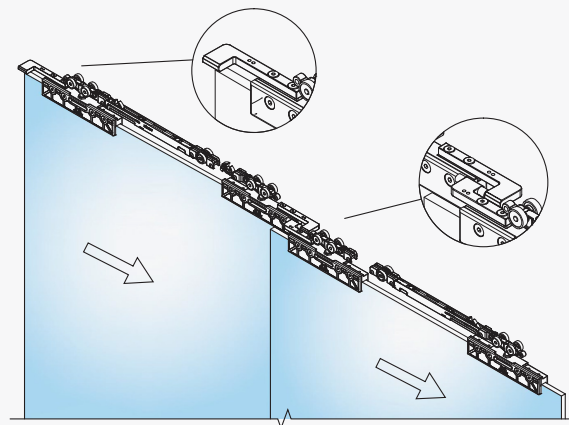
### Floor plan



## SlideTrack 4x4 Top Mount



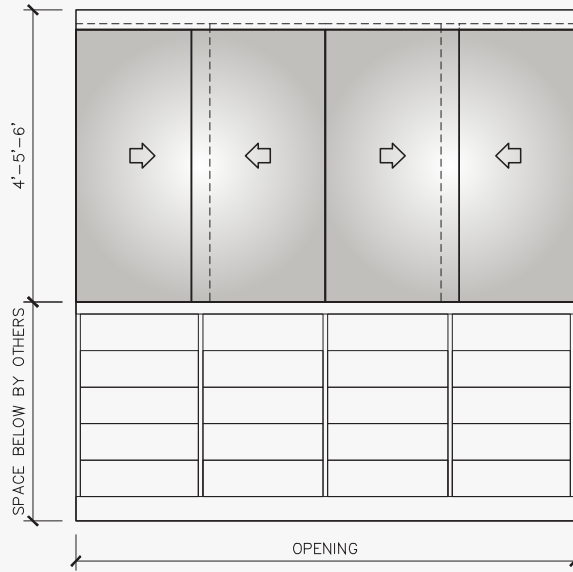
### Section



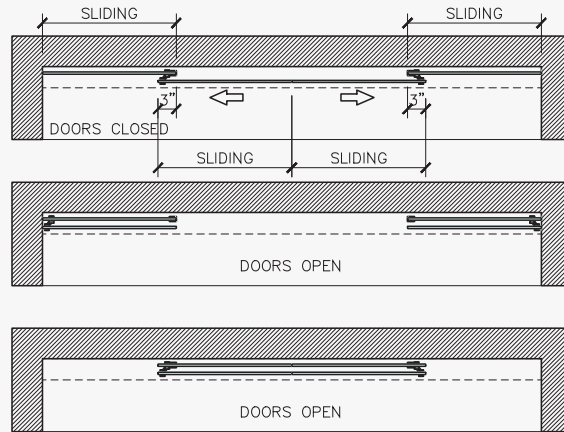
### Telescopic detail

## SlideTrack 4x4 Top Mount

**Standard widths (inches):**  
 84, 90, 96, 102, 108, 114, 120,  
 126, 132, 138 and 144

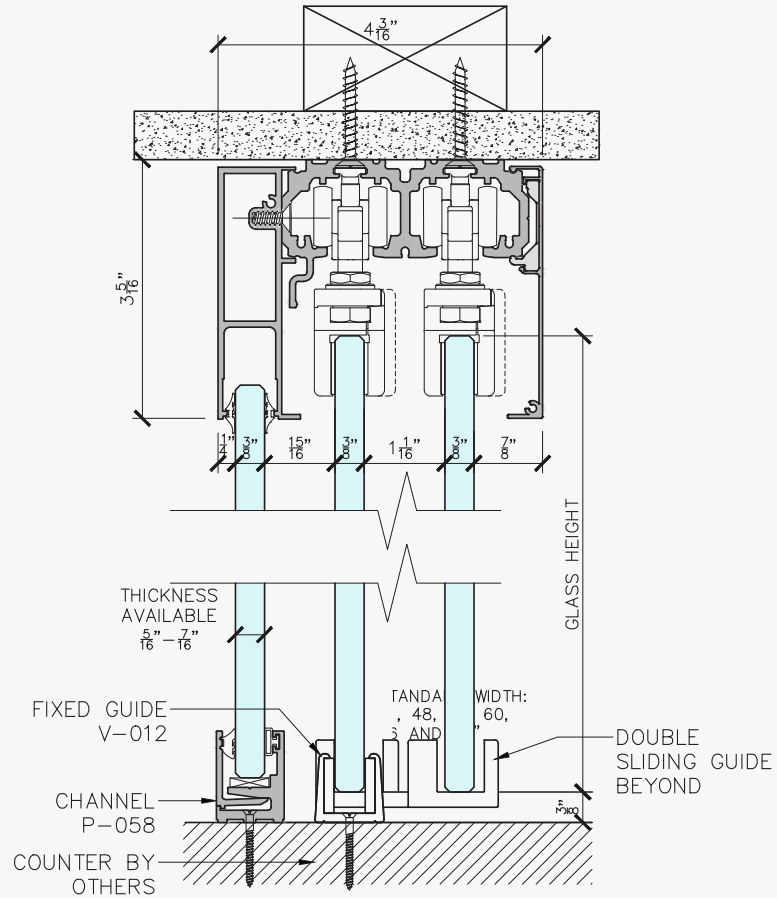


### Elevation

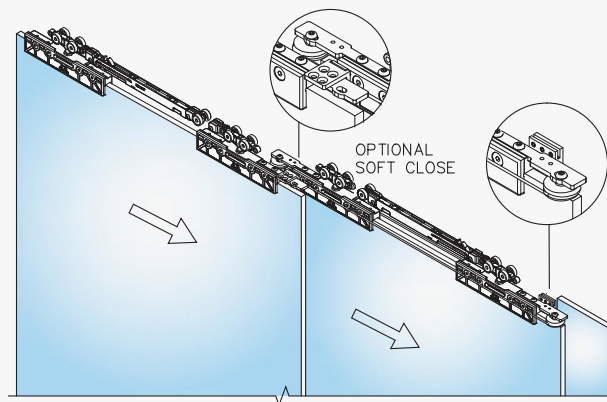


### Floor plan

## SlideTrack 6x4 Top Mount



### Section



### Telescopic detail

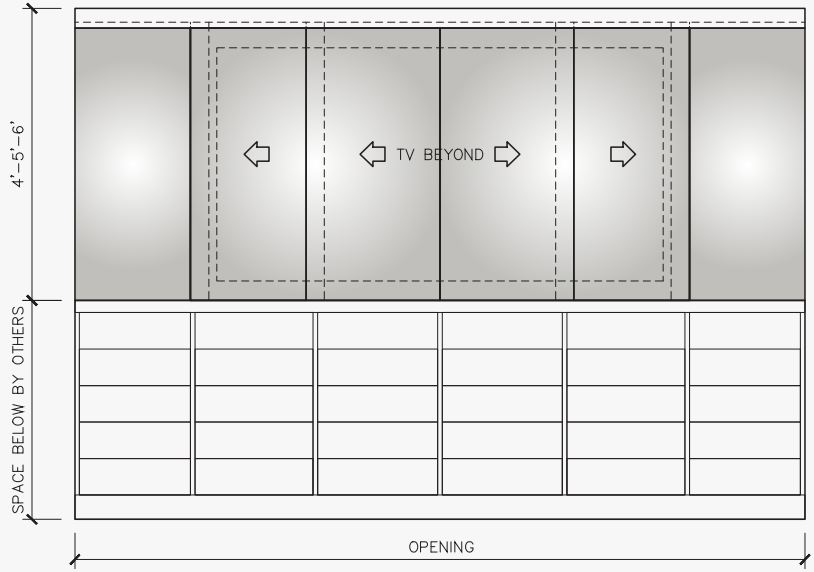
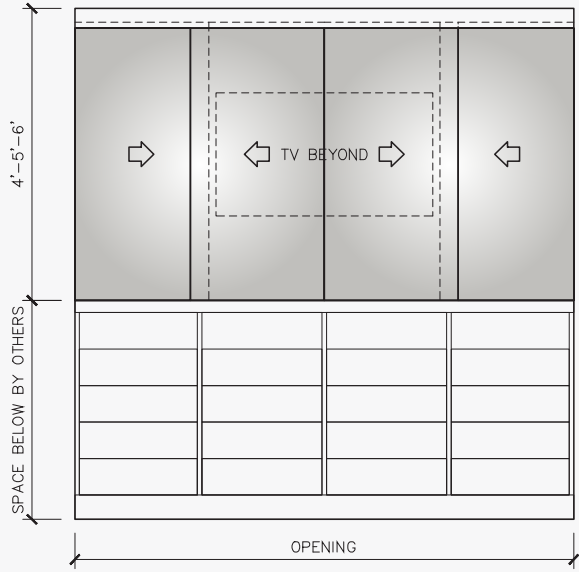
# SlideTrack 6x4 Top Mount

**Standard widths (inches):**  
84, 90, 96, 102, 108, 114, 120, 126, 132, 138 and 144

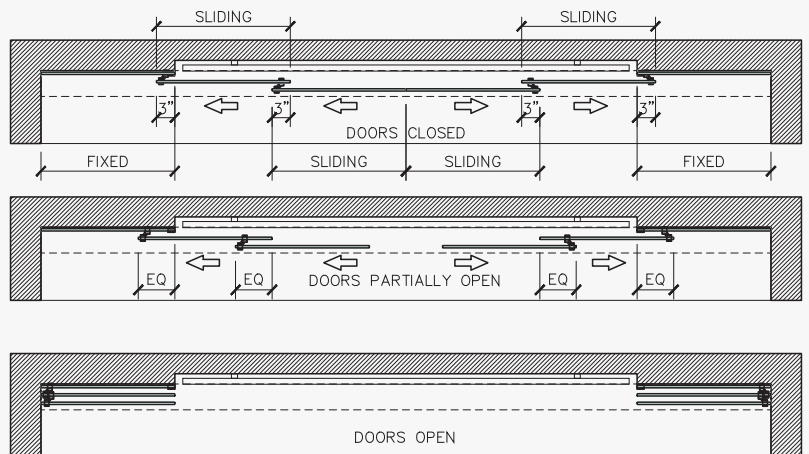
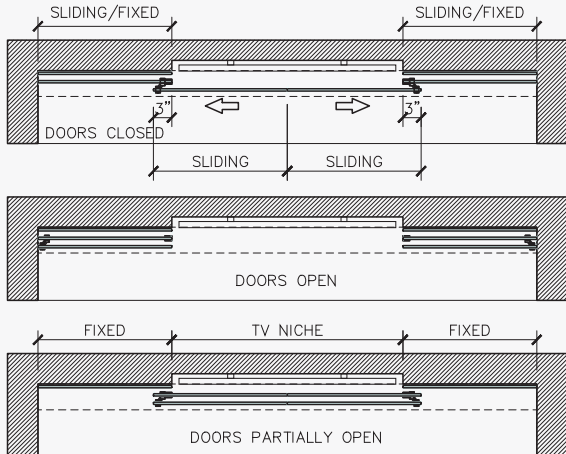
Overlapping Doors

**Standard widths (inches):**  
120 to 222 in every 6 inch increment

Offset Doors

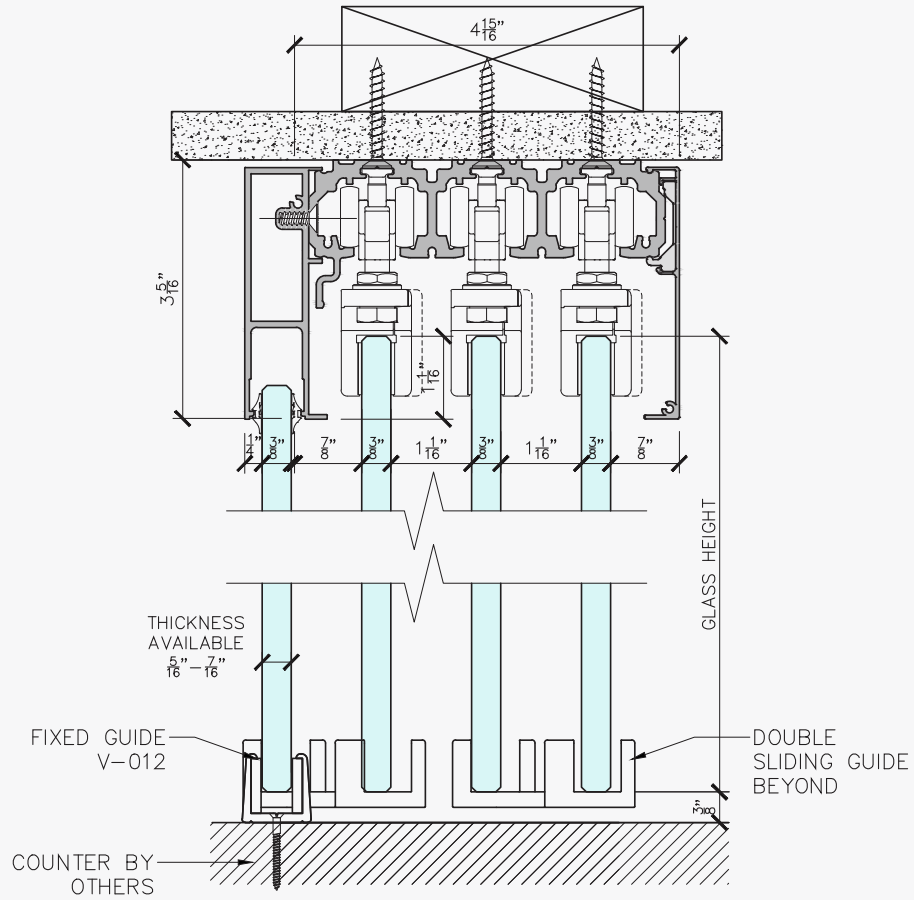


## Elevation

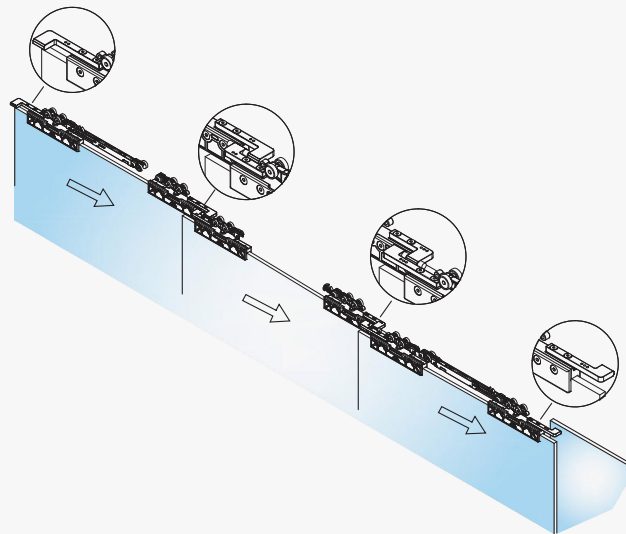


## Floor plan

## SlideTrack 8x6 Top Mount



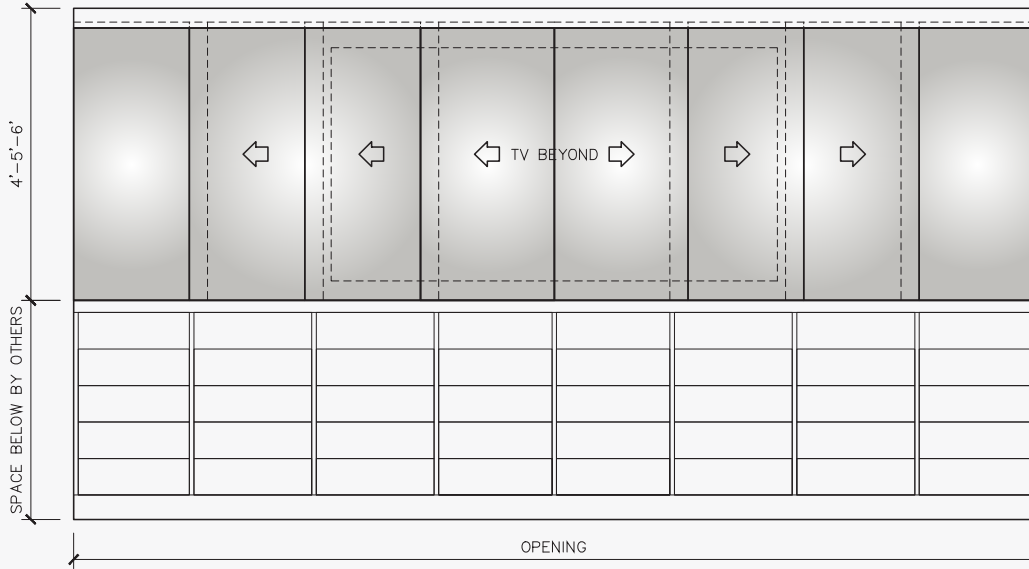
### Section



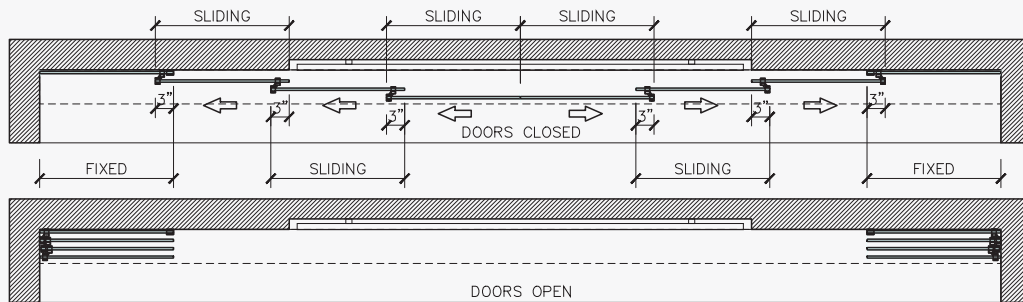
### Telescopic detail

## SlideTrack 8x6 Top Mount

**Standard widths (inches):**  
162 to 294 in every 6 inch increment

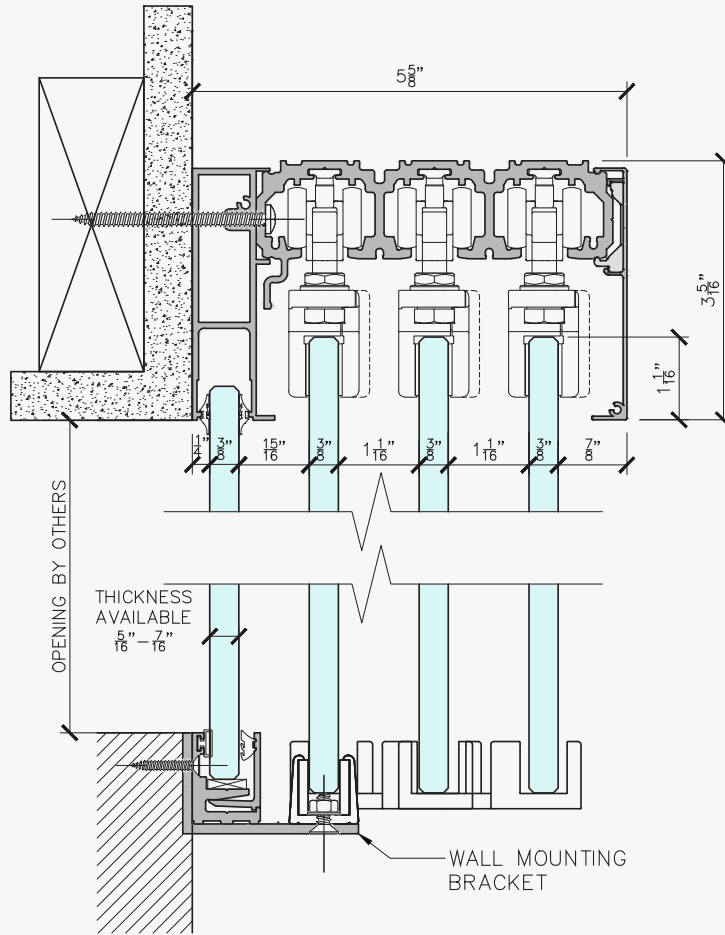


### Elevation

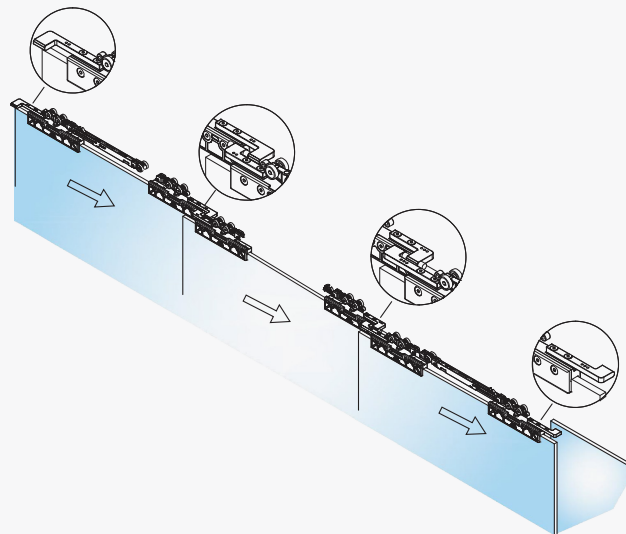


### Floor plan

## SlideTrack 8x6 Side Mount



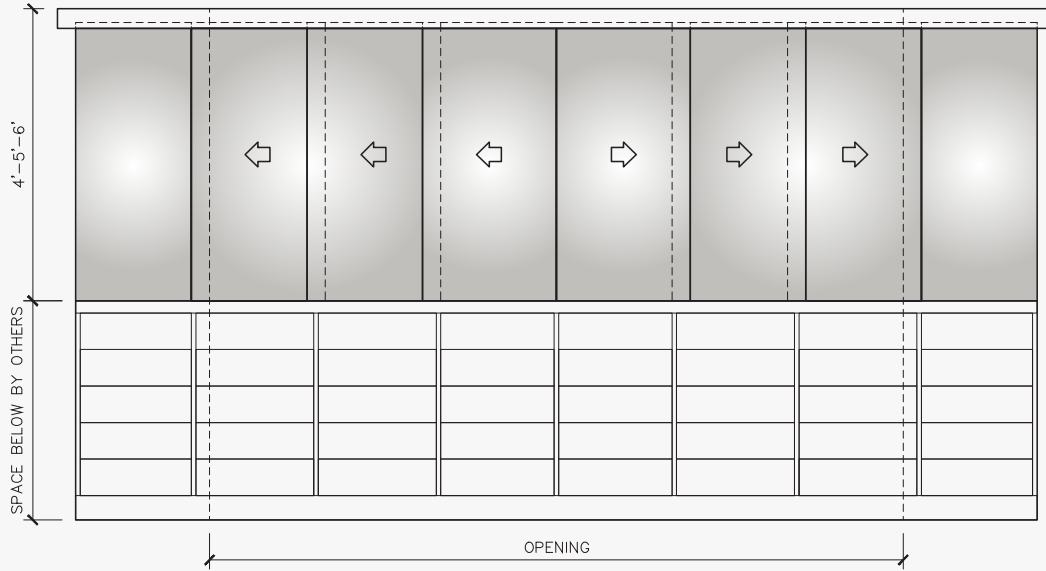
### Section



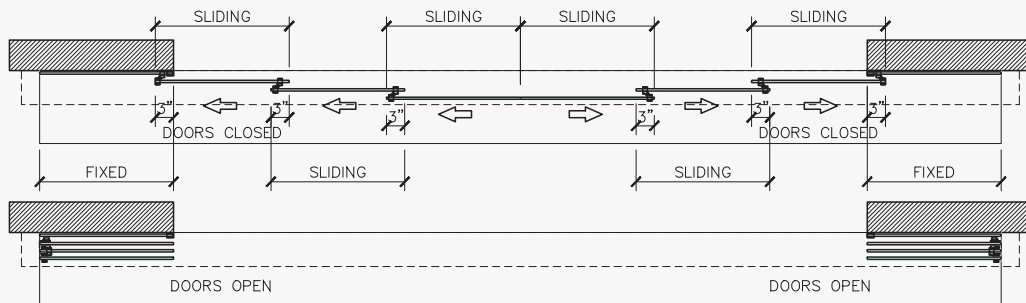
### Telescopic detail

## SlideTrack 8x6 Side Mount

**Standard widths (inches):**  
114 to 216 in every 6 inch increment



### Elevation



### Floor plan



## Surfaces

**Smooth (S)** is the most common characteristic of clear glass, prominent in all aspects of everyday life.

- Writable with erasable markers.
- Normal expected glare and fingerprinting.
- Reflective.
- Non-oil absorbing.
- Suggested for horizontal and vertical applications.
- Cleans easily with common glass cleaners.

### Opaque

(S)

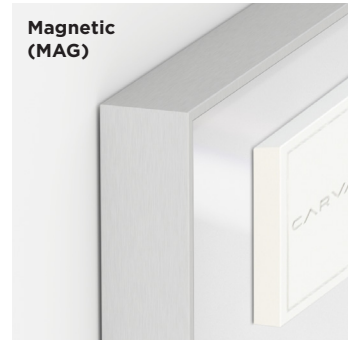


## Functions

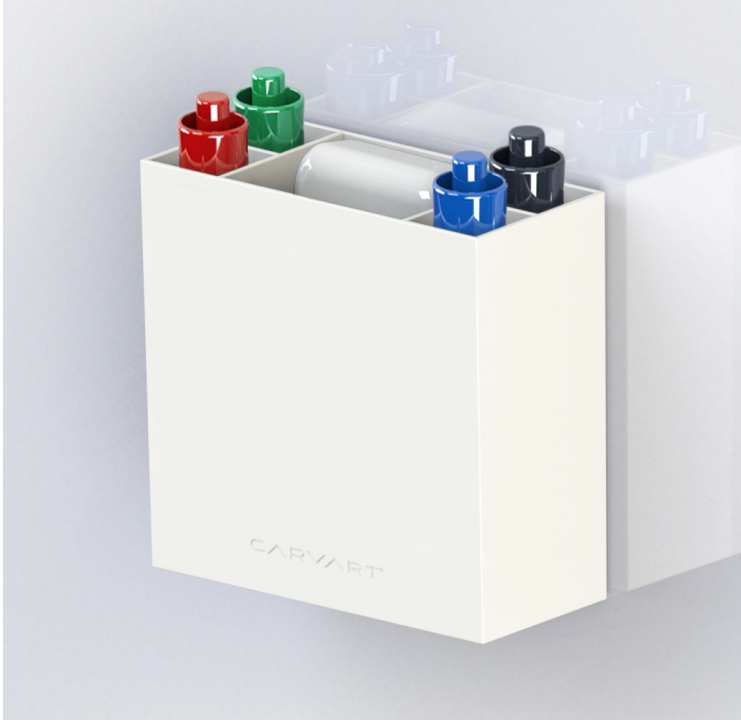
**Non-magnetic (NONMAG)**



**Magnetic (MAG)**



glassACCESSORIES



Holder/Marker with Magnetic Adapter



Rare-Earth Magnet



glassSMARTMARKER



Eraser



Rail

**Opaque  
Glass**



**Opaque  
Glass  
Metallics**



**Tracks  
Metallics**

