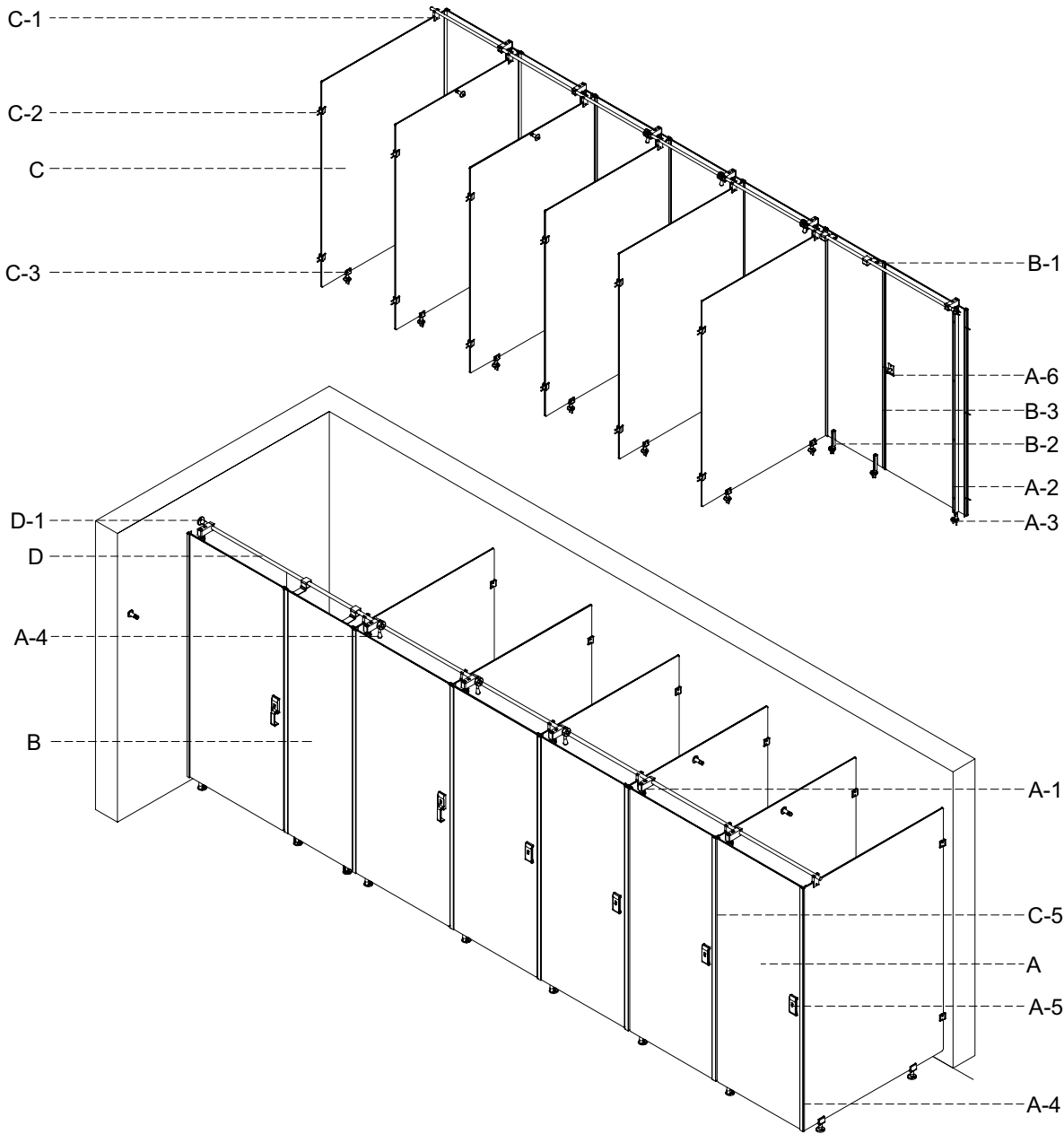


# glassBOX

## Installation Instructions

- + COMMERCIAL BATHROOM CUBICLE INSTALLER REQUIRED
- + STRUCTURAL CORDINATION AND CALCULATION BY OTHER
- + CARVART ASSIST WITH INSTALL AND CORDINATION



# glassBOX

## Installation Guide

### DOOR

1. ASSEMBLE DOOR COMPONENTS ON GLASS PANEL
2. CONNECT HYDRAULIC CLOSER TO STABILIZING BAR
3. FLOOR MOUNT DOOR PIVOT
4. STANDARD LATCH
5. SELECT PULL TYPE

### FIXED PILASTER PANEL

1. BACK FASTEN TOP SUPPORT TO FIXED PILASTER PANEL
2. BACK FASTEN SUPPORT LEGS AND MOUNT TO FLOOR
3. CONNECT TO STABILIZING BAR

### DIVIDER

1. MOUNT WALL CLAMPS
2. INSTALL SUPPORT LEGS
3. ATTACH TOP CLAMP AND CONNECT TO STABILIZING BAR
4. INSERT SPECIFIED DOOR JAMBS

### STABILIZING BAR

1. BACK FASTEN TOP SUPPORT TO FIXED PILASTER PANEL
2. BACK FASTEN SUPPORT LEGS AND MOUNT TO FLOOR
3. CONNECT TO STABILIZING BAR

### WALL DIVIDER

1. FASTEN TO WALL

## COMPONENTS

**NOTE:** Letters correspond to components labeled on the 'TYPICAL COMPONENTS' diagram.

### A. Door

Material: Glass

- 9/16" Tempered, Laminated, Back-Painted
- Specify Color & Pattern

A-1 Hydraulic Closer

A-2 Full Height Vertical Mounting Profile

A-3 Floor Mounted Door Pivot

A-4 Swing Limit Stopper

A-5 Pull Options

- Round Pull
- Rectangle Pull
- ADA Rectangle Pull
- Ladder Pull
- Back to Back Ladder Pull

A-6 Lever Latch

### B. Fixed Pilaster Panel

Material: Glass

- 9/16" Tempered, Laminated, Back-Painted
- Specify Color & Pattern

B-1 Back Fastened Top Support

B-2 Back Fastened Support Leg - Clearance Options:

- 3" Floor Clearance
- 9" Floor Clearance
- 12" Floor Clearance

B-3 Full Height Vertical Jamb Profiles

### C. Divider

Material: Glass

- 9/16" Tempered, Laminated, Back-Painted
- Specify Color & Pattern

C-1 Top Clamp Support

C-2 Wall Clamp Support

C-3 Clamp Support Leg - Clearance Options:

- 3" Floor Clearance
- 9" Floor Clearance
- 12" Floor Clearance

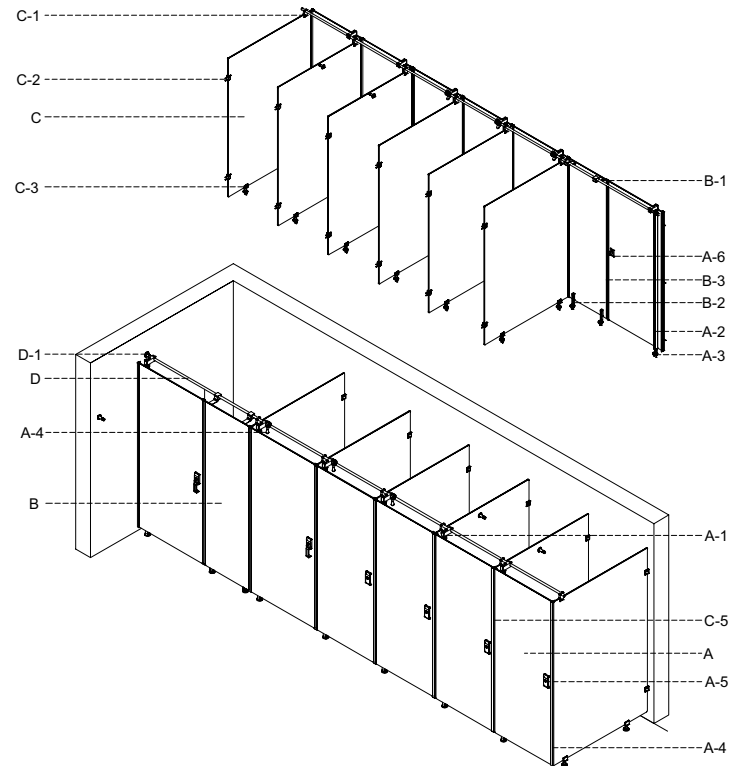
C-4 Seam Profile (Used with Extended Divider)

C-5 Full Height Vertical Jamb Profiles

### D. Stabilizing Bar

D-1 Wall Mounted Stabilizing Connection

D-2 T-Connection (If Applicable)



### TOOLS NEEDED

Use other standard installation tools

#### DRILL

Use power tools for drilling into building structure.



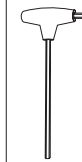
#### SCREW DRIVER

Use hand tools only for all glass attachments



#### HEX KEY

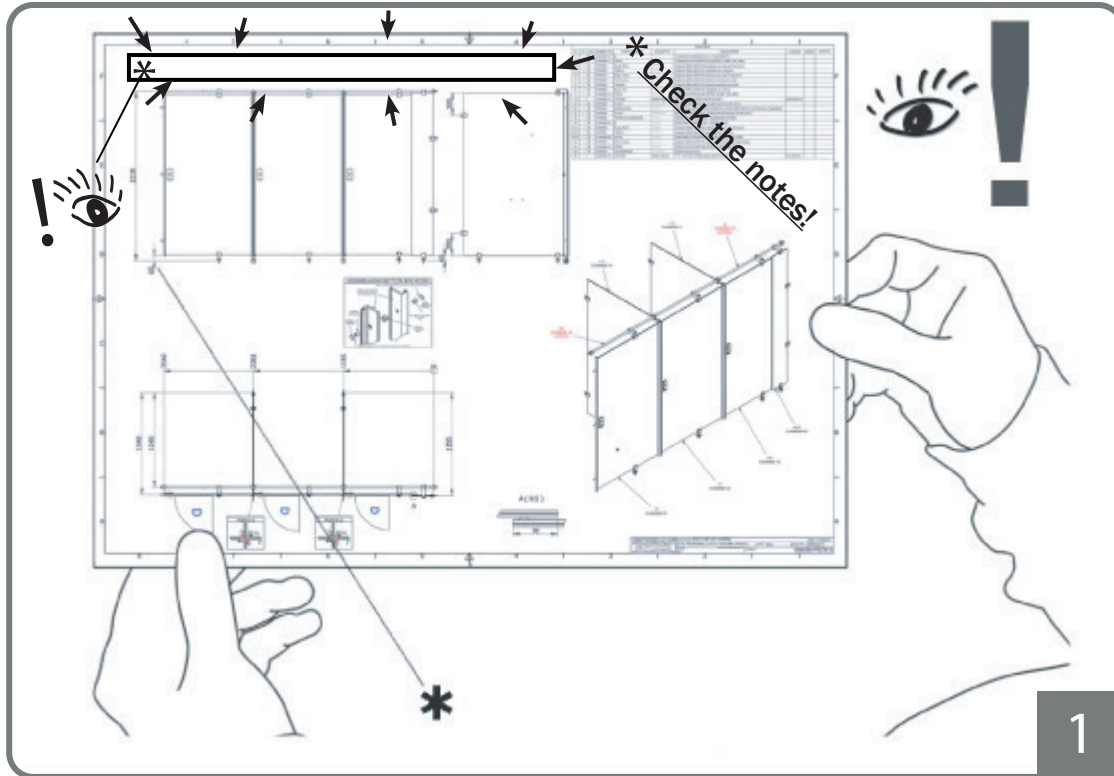
Required metric tools



# INSTALLATION INSTRUCTIONS

## NOTES

Check all drawings

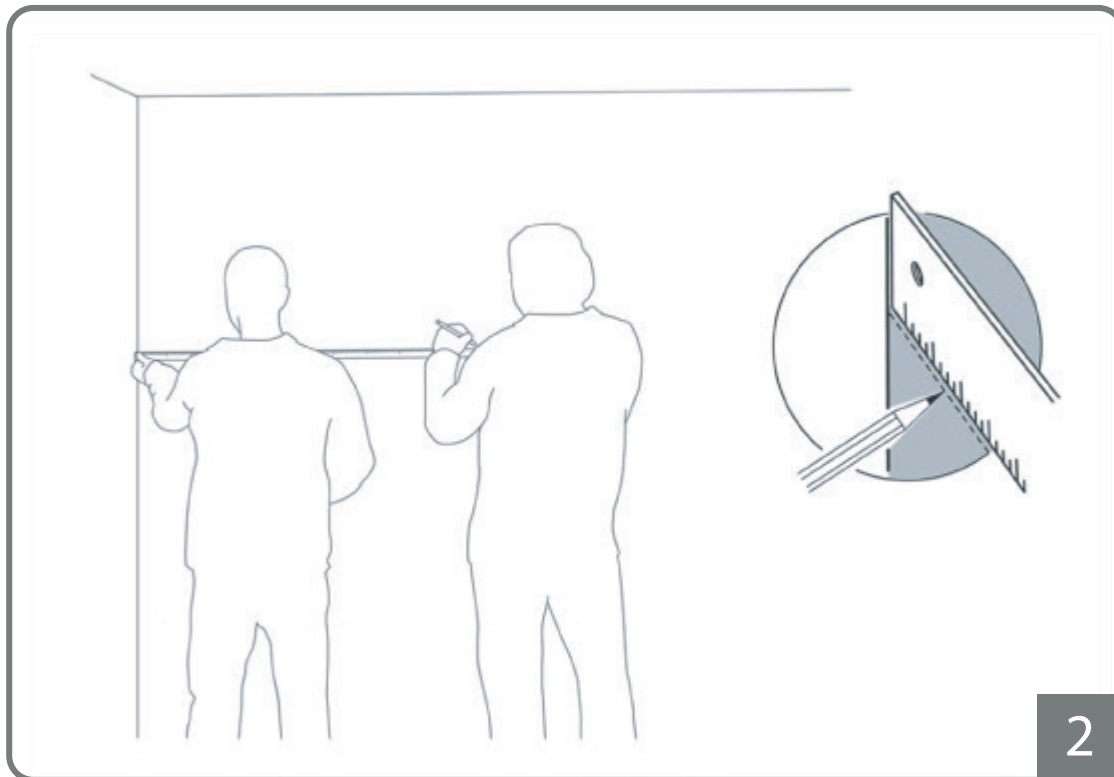


## STEP 1

INSPECT CRATE CONTENT FOR ANY DAMAGE FROM SHIPPING.

DO NOT PROCEED WITHOUT THOROUGH INSPECTION OF MATERIAL.

- CHECK SHOP DRAWINGS
- CHECK FIELD DIMENSIONS
- CHECK TOOLS
- CHECK EQUIPMENT



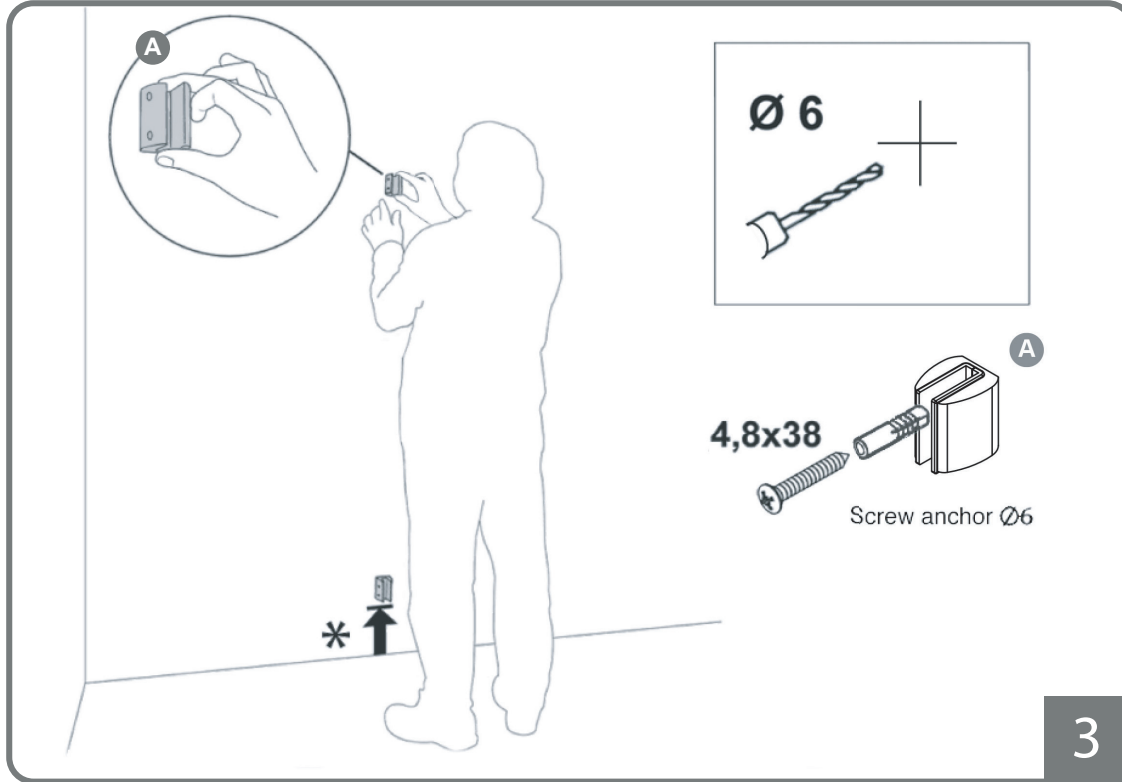
## STEP 2

MEASURE AND MARK ANCHORING SPOTS

# INSTALLATION INSTRUCTIONS

**NOTES**

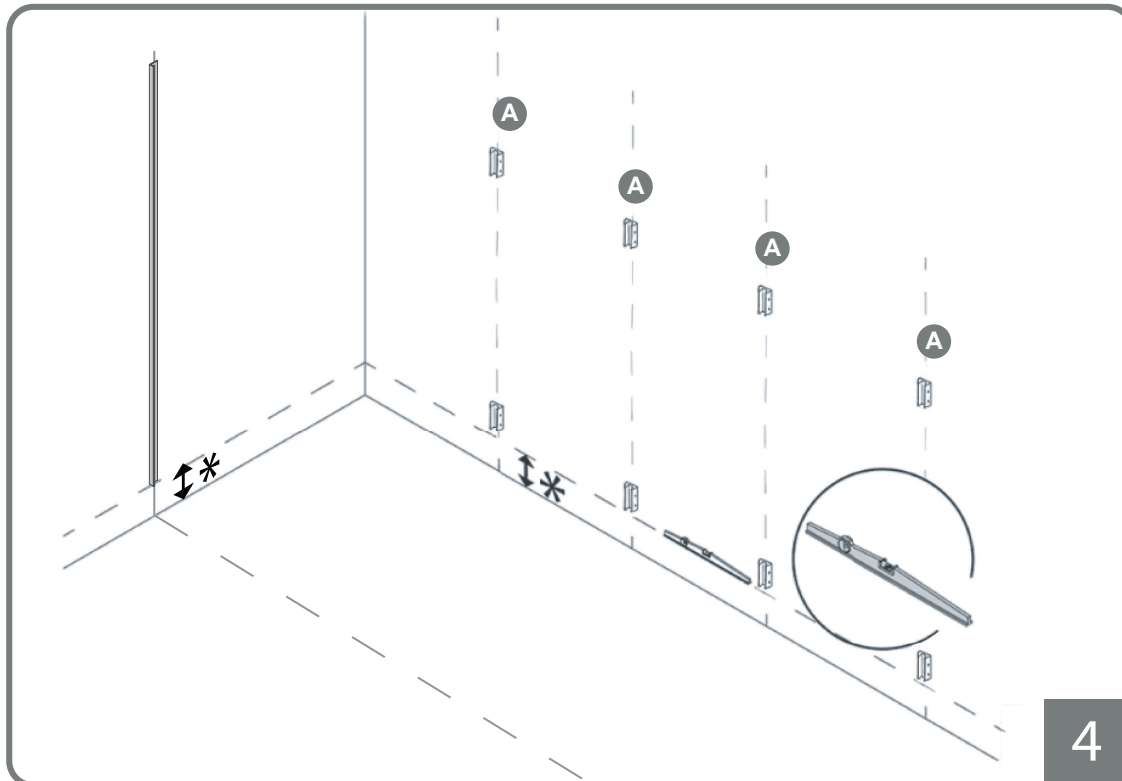
Check all drawings



## STEP 3

**DRILL HOLE  
INSERT ANCHOR  
FASTEN CLAMP TO WALL WITH SCREW**

**ALTERNATE: WOOD SCREWS/  
SHEET METAL SCREW CAN  
BE USED DEPENDING ON THE  
BLOCKING TYPE PROVIDED  
BY CONTRACTOR. ALTERNATE  
TYPE OF SCREWS ARE NOT  
PROVIDED BY CARVART.**



## STEP 4

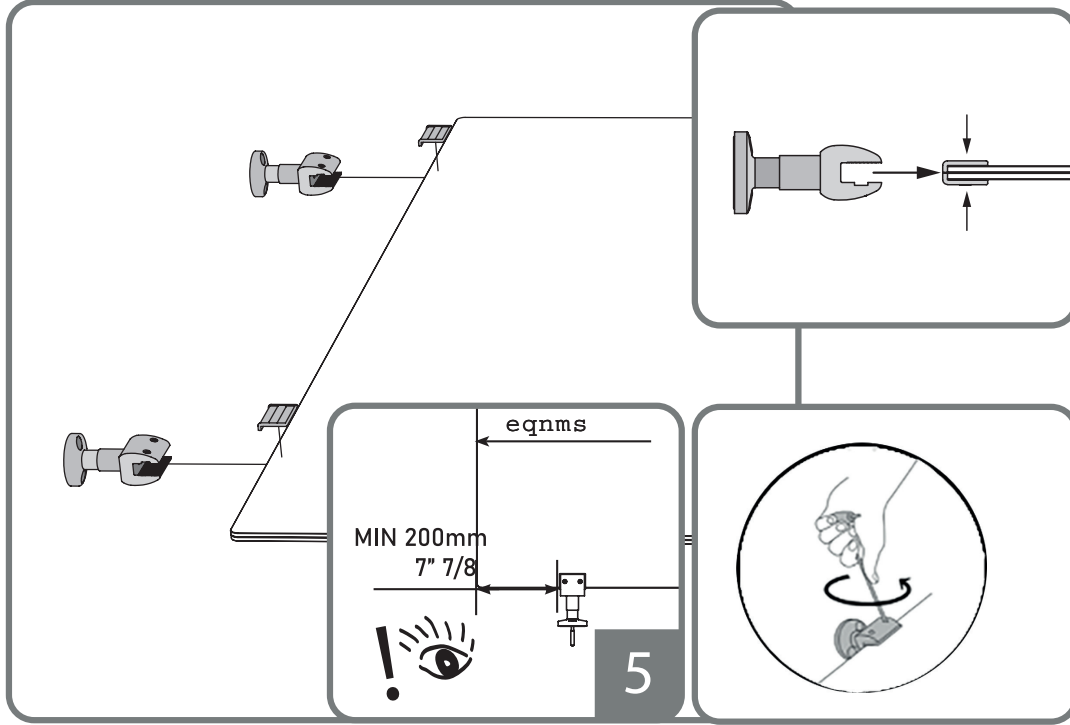
**MAKE SURE ALL CLAMPS ARE  
LEVEL**

**REFER TO SHOP  
DRAWINGS FOR BLOCKING  
REQUIREMENTS. (BLOCKING  
BEHIND THE 'A' CENTERLINE.**

# INSTALLATION INSTRUCTIONS

**NOTES**

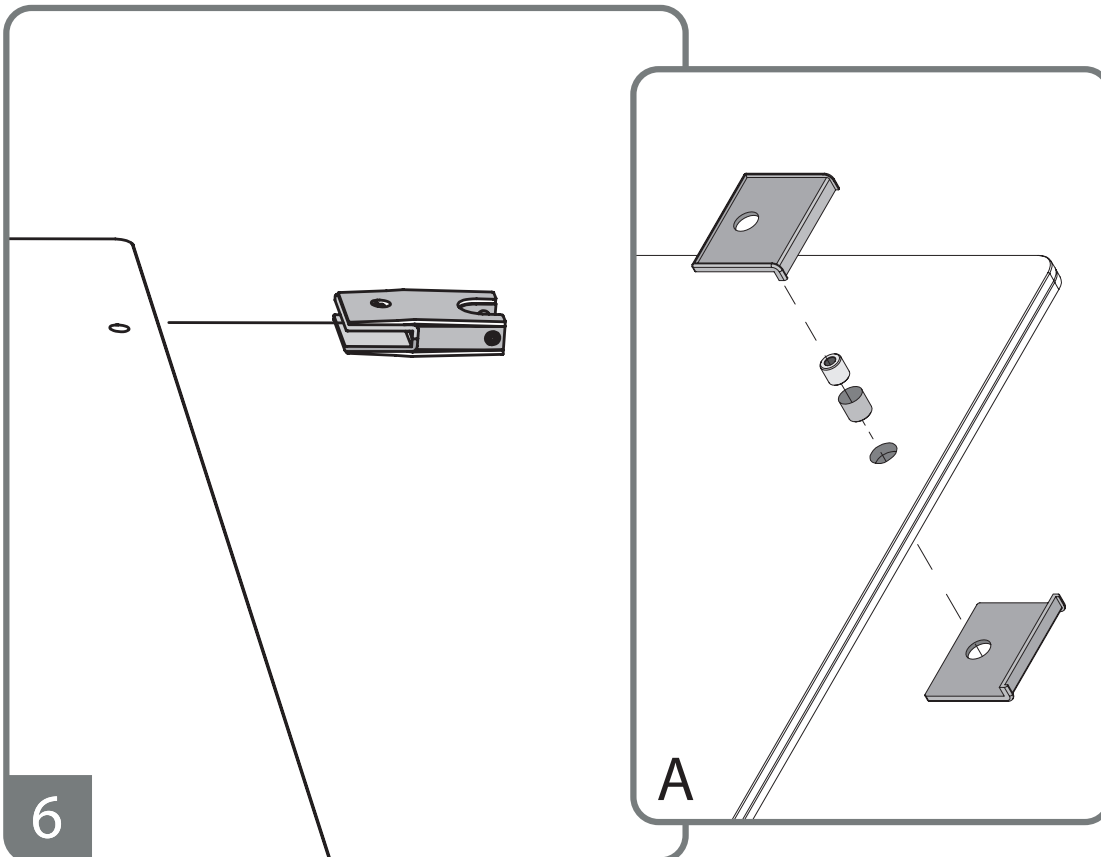
Check all drawings



## STEP 5

INSERT DIVIDER INTO FLOOR CLAMP SUPPORT. TIGHTEN AND FASTEN.

DO NOT ANCHOR THE FLOOR SUPPORT LEG INTO THE FLOOR UNTIL THE END.



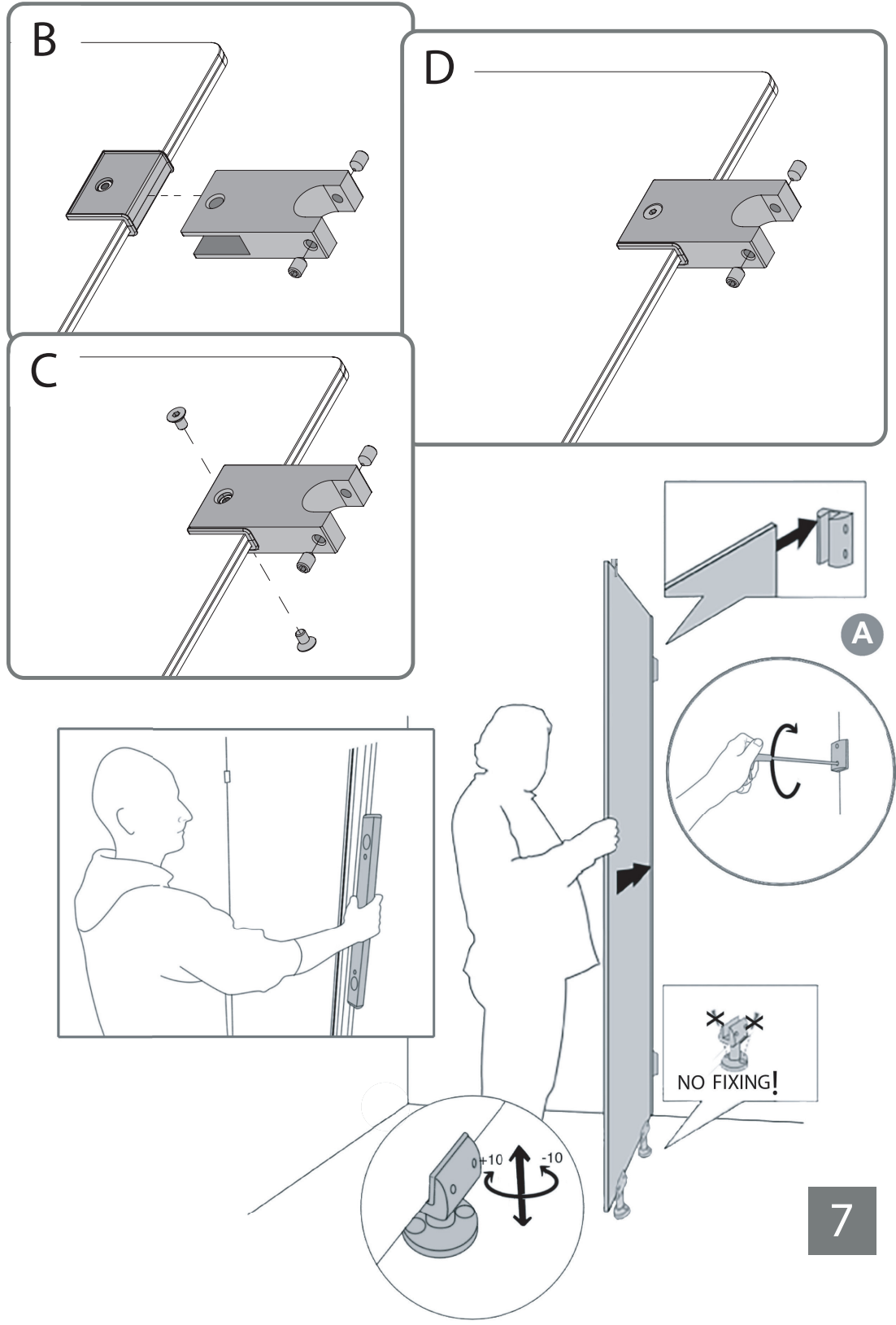
## STEP 6

FASTEN TOP SUPPORT CLAMP TO DIVIDER.

# INSTALLATION INSTRUCTIONS

**NOTES**

Check all drawings



## STEP 7

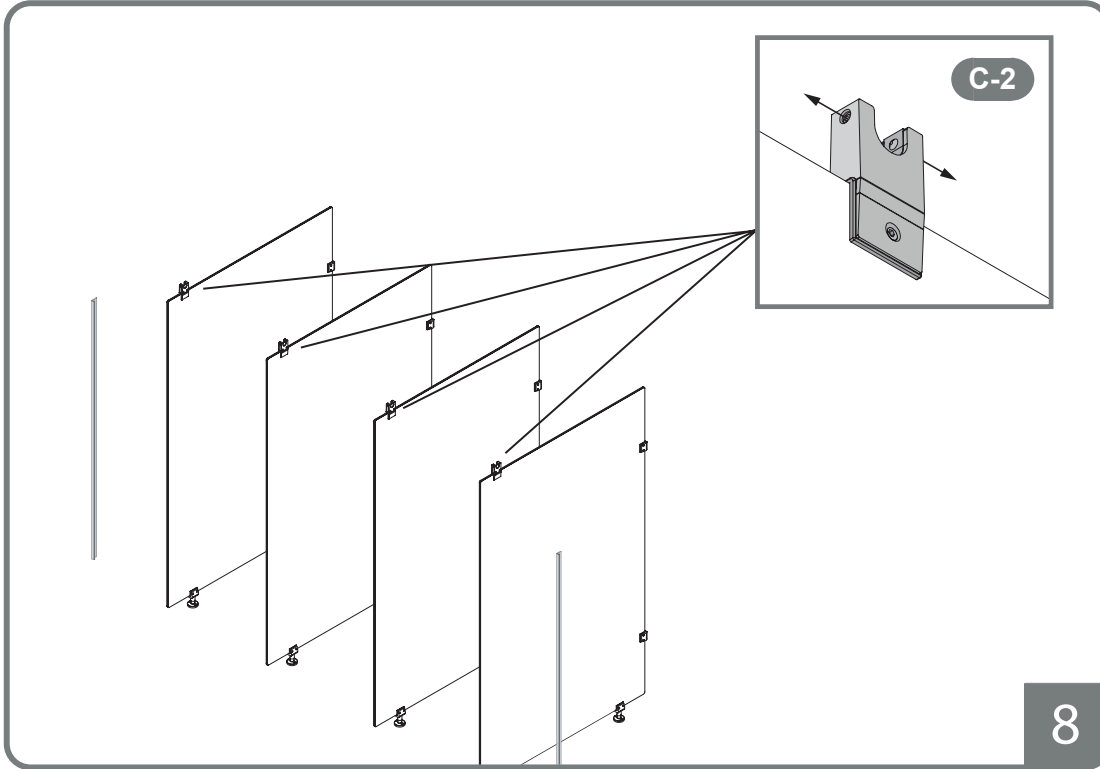
MOVE DIVIDER PANEL INTO ITS LOCATION AND FASTEN IT TO THE WALL CLAMPS.

ROTATE THE LEG TO ADJUST HEIGHT TO ENSURE LEVELING OF THE DIVIDER PANEL.  
 +/- 3/8" ADJUSTMENT AVAILABLE IN SUPPORT LEG.

# INSTALLATION INSTRUCTIONS

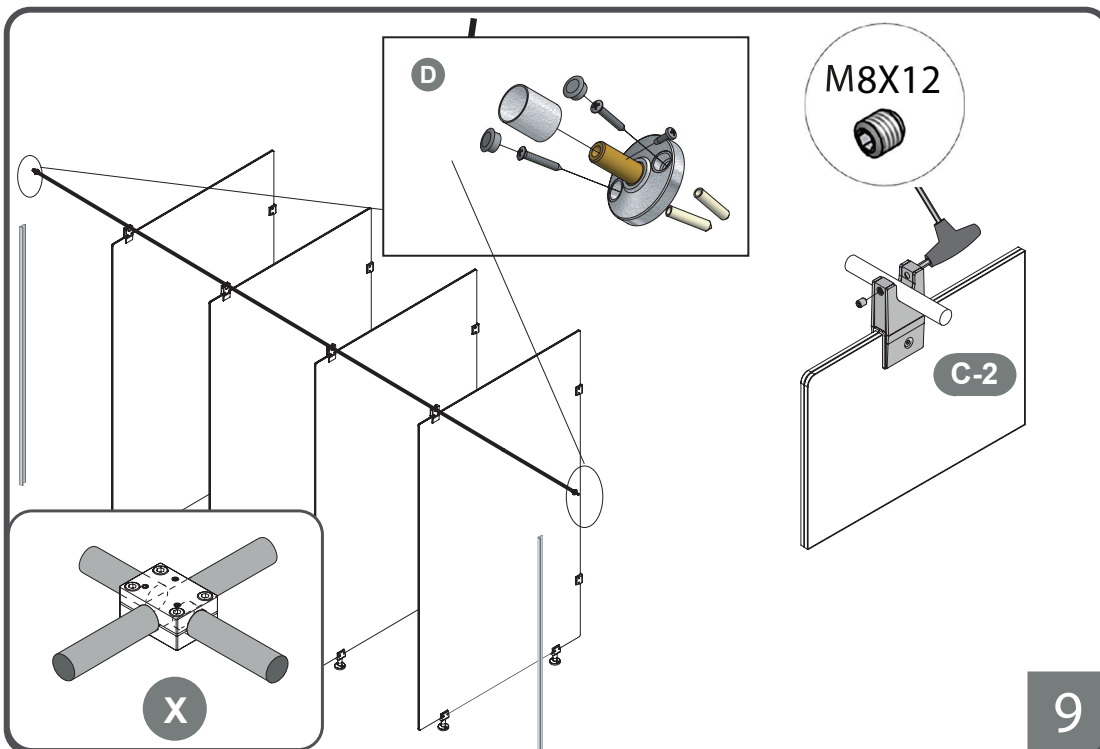
**NOTES**

Check all drawings



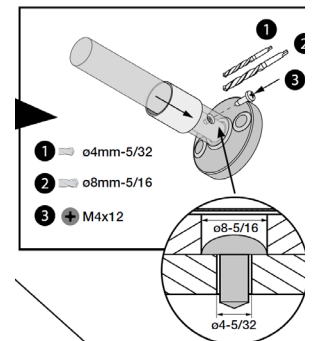
## STEP 8

MAKE LATERAL ADJUSTMENTS TO PANEL TO ALIGN WITH STABILIZING BAR.



## STEP 9

CONNECT STABILIZING BAR AND FASTEN STABILIZING BAR TO WALL. CONNECT T-CONNECTION IF APPLICABLE.

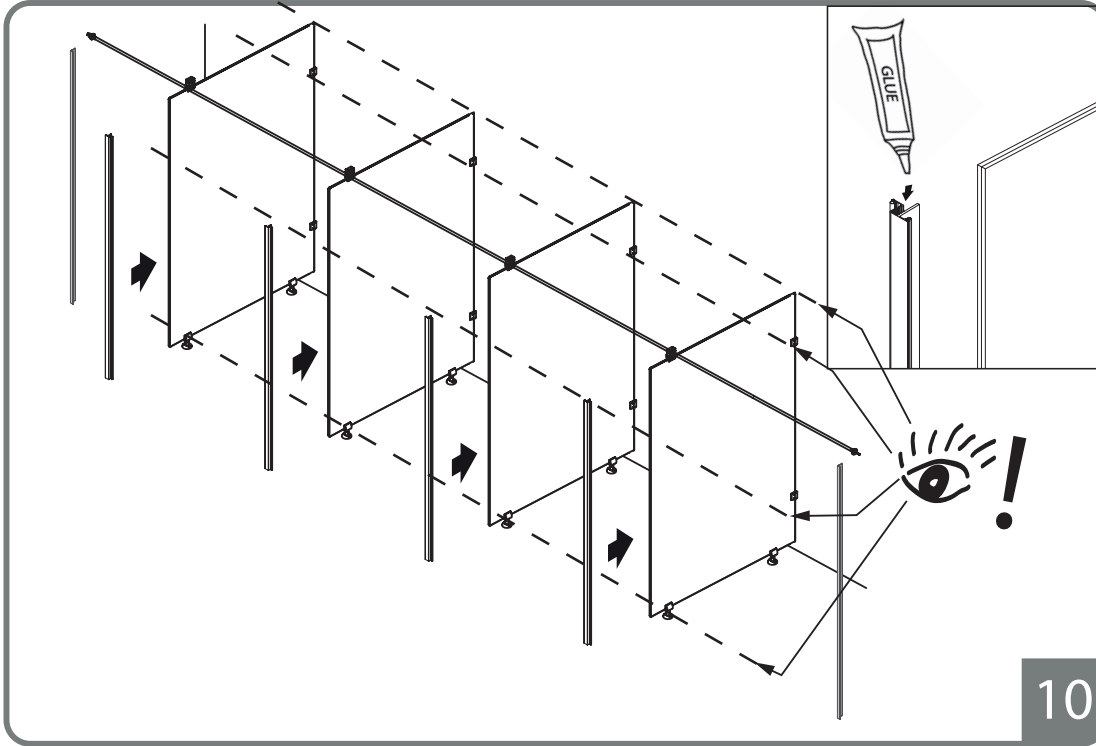


COLOUR GLASS8

# INSTALLATION INSTRUCTIONS

## NOTES

Check all drawings



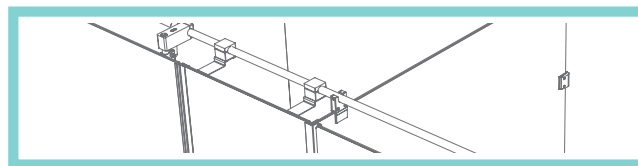
## STEP 8

INSERT AND GLUE FULL HEIGHT VERTICAL JAMB PROFILES ONTO DIVIDER ENDS.

MUST USE NEUTRAL CURE SILICONE.

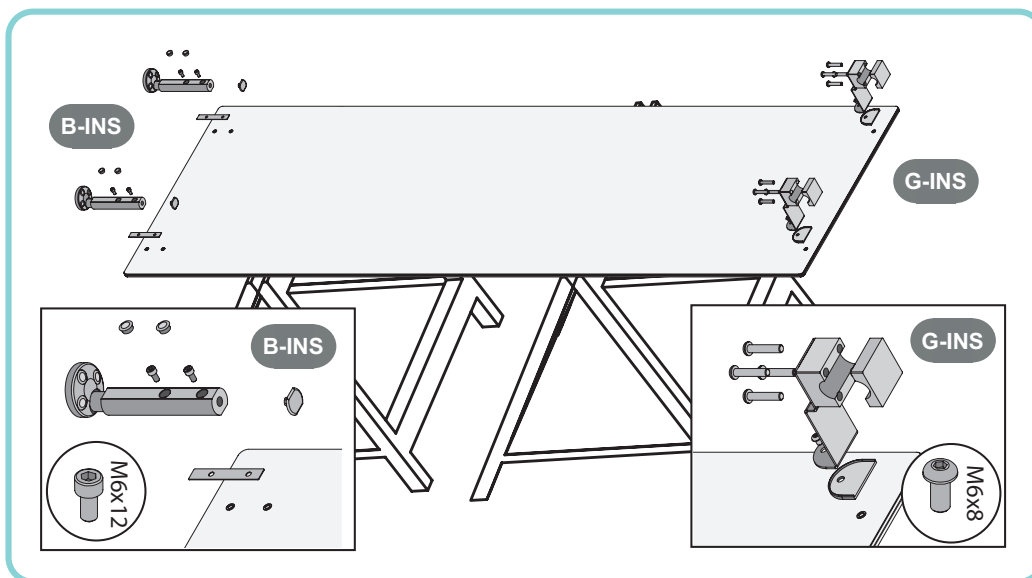
PLEASE REFER TO CARVART RECOMMENDED BRANDS:

- CRL - RTV 408
- DOW CORNING - 795



## STEP 10

- + ASSEMBLE FIXED PILASTER PANEL
- + ASSEMBLE AND FASTEN TOP SUPPORT
- + ASSEMBLE AND FASTEN BACK FASTENED LEG SUPPORT





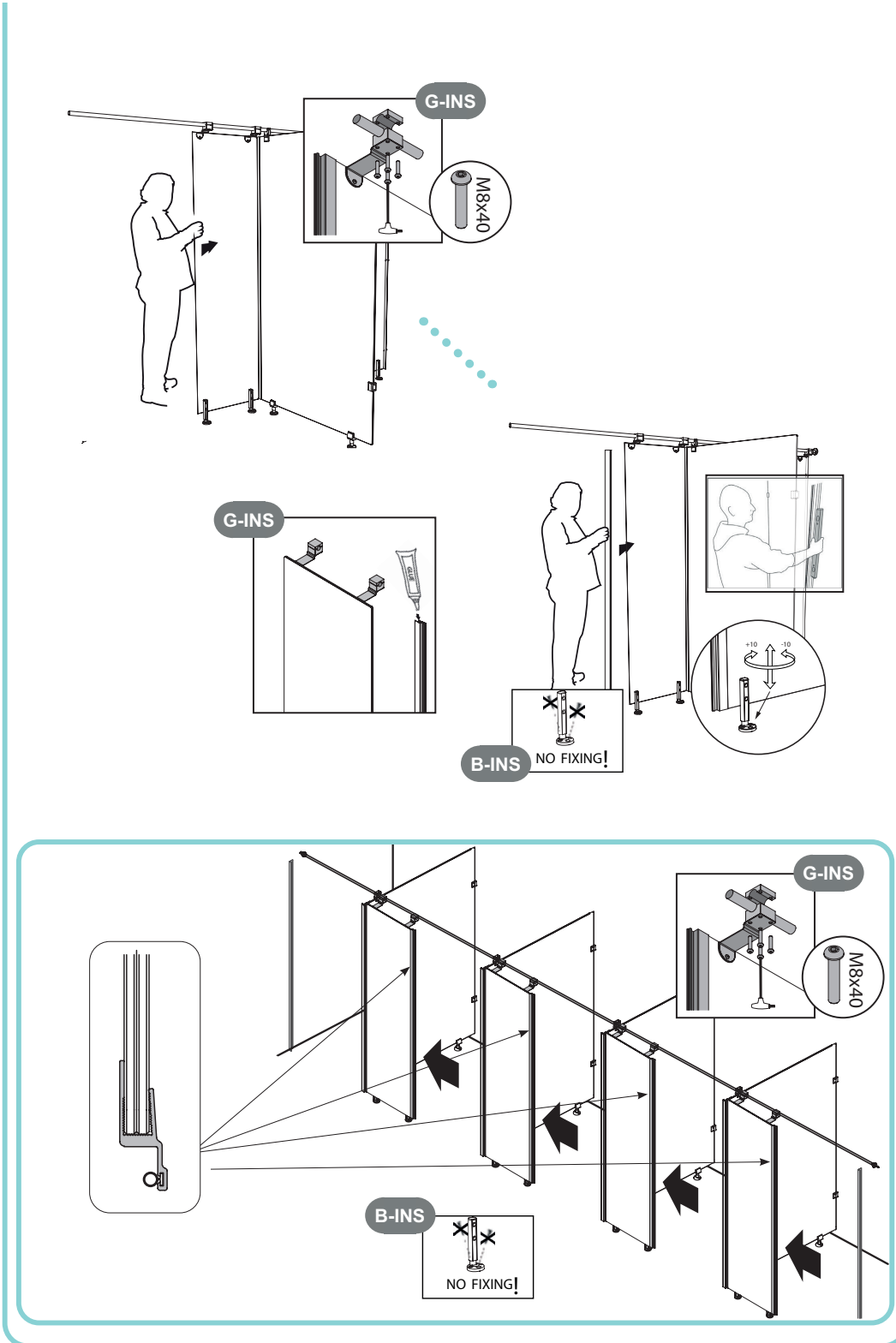
# INSTALLATION INSTRUCTIONS

## NOTES

Check all drawings

## STEP 11

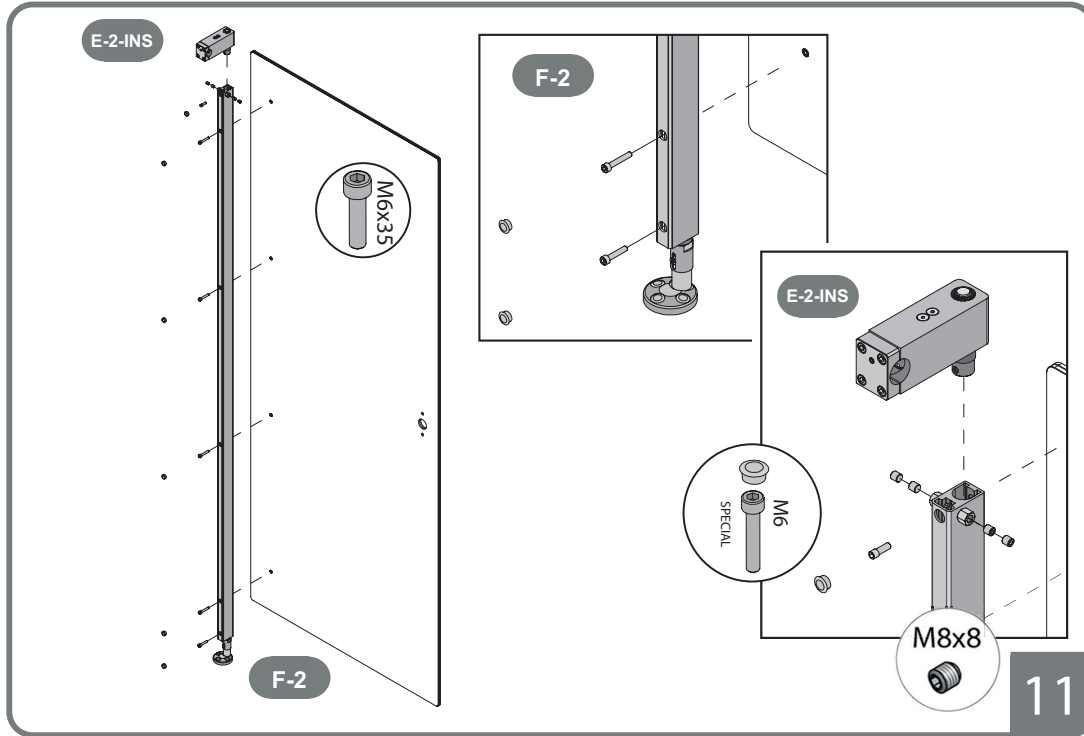
- + INSTALL PILASTER TO STABILIZING BAR AND FLOOR
- + USE LEG ADJUSTMENT (+/- 3/8") TO ENSURE THE PILASTER PANEL IS INSTALLED PLUMB AND LEVEL.
- + DO NOT FASTEN LEGS TO THE FLOOR UNTIL ALL PARTITIONS ARE INSTALLED AND ADJUSTED.
- + INSERT FULL HEIGHT VERTICAL JAMB PROFILE IN SIDE OF FIXED PILASTER FRONT PANEL.
- + MUST USE NEUTRAL CURE SILICONE. PLEASE REFERE TO CARVART RECOMMENDED BRANDS.



# INSTALLATION INSTRUCTIONS

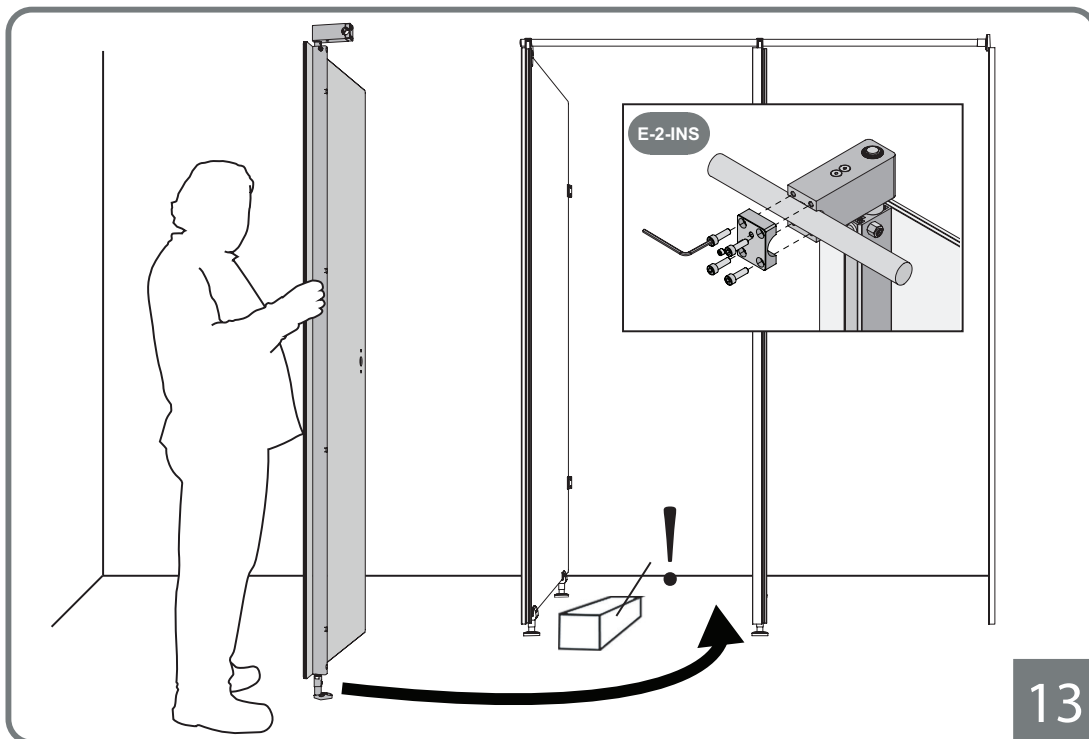
## NOTES

Check all drawings



## STEP 12

- + ASSEMBLE DOOR PANEL
- + CONNECT, HYDRAULIC CLOSER, FLOOR MOUNTED DOOR PIVOT, FULL HEIGHT VERTICAL BACK FASTENED MOUNTING PROFILE, AND DOOR PANEL.



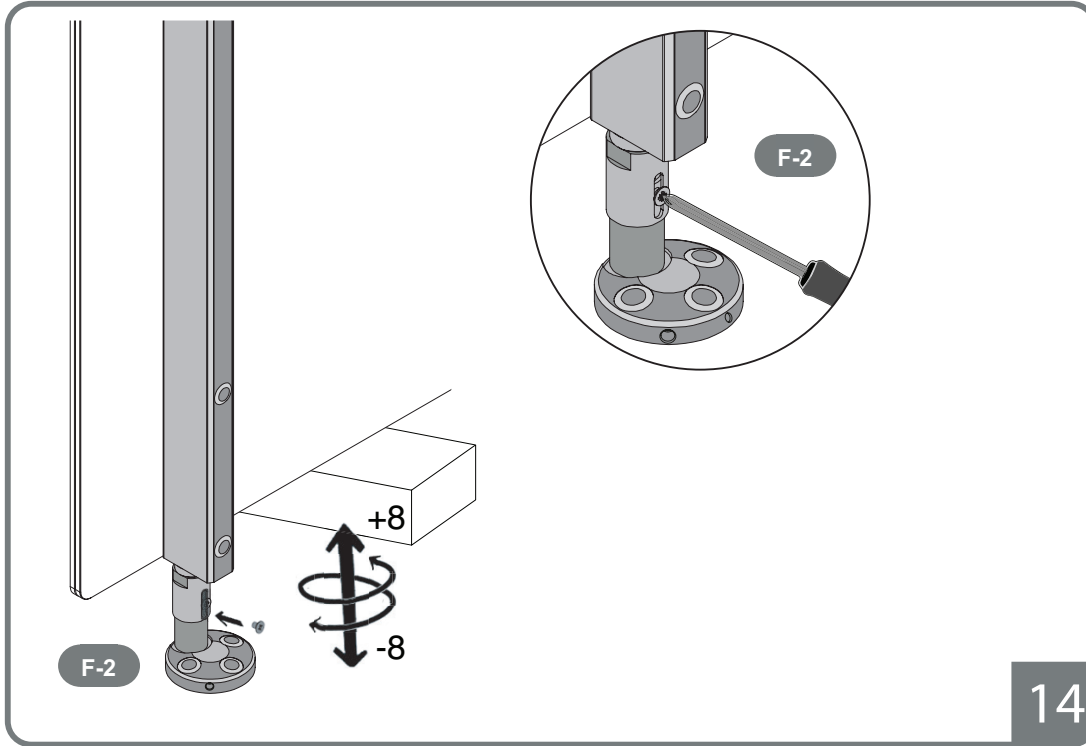
## STEP 13

- + POSITION ASSEMBLED DOOR TO STABILIZING BAR VIA HYDRAULIC CLOSER.
- + PLACE THE DOOR, BUT FASTEN IN THE FOLLOWING STEPS.

# INSTALLATION INSTRUCTIONS

## NOTES

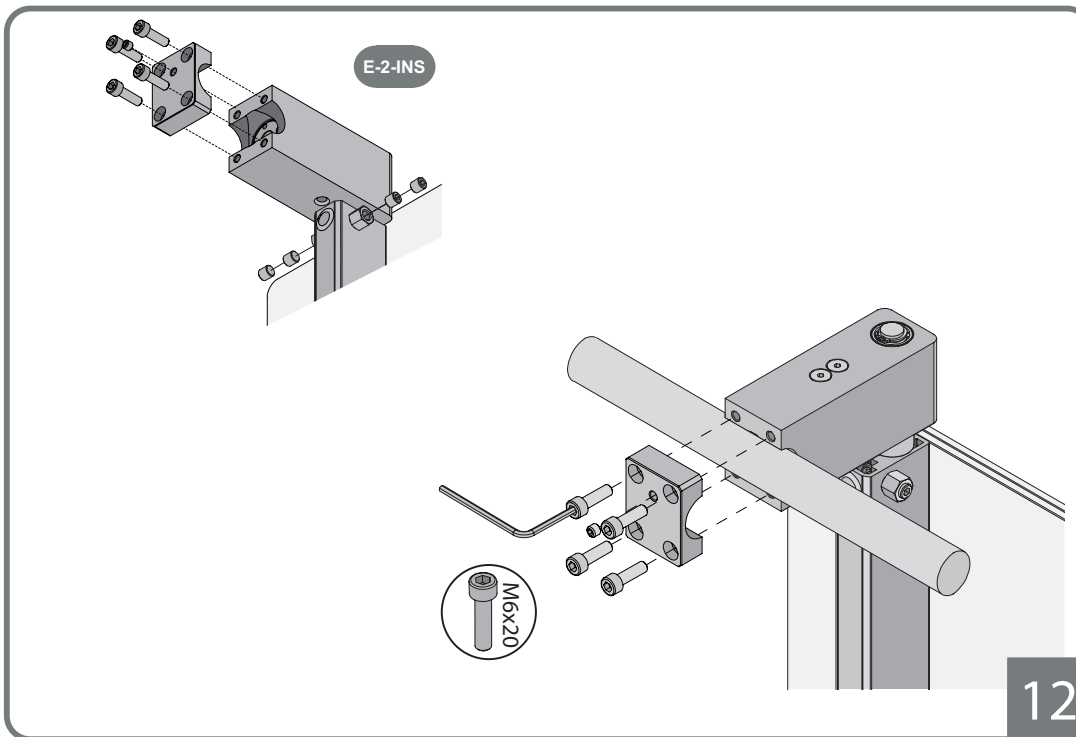
Check all drawings



COLOUR GLASS 12

## STEP 14

- + MOUNT DOOR TO FLOOR
- + MAKE HEIGHT ADJUSTMENTS



## STEP 15

- + ATTACH ASSEMBLED DOOR TO STABILIZING BAR VIA HYDRAULIC CLOSER.

# INSTALLATION INSTRUCTIONS

## NOTES

Check all drawings

**B ADJUST**

±5mm-13/64"

±5mm-13/64"

±5mm-13/64"

±5mm-13/64"

±5mm-13/64"

ø6mm

±5mm-13/64"

**CHECK TOLLERANCE**

P18

18

## STEP 16

- + PLACE DOOR TO FLOOR
- + MAKE HEIGHT ADJUSTMENTS
- + MAKE LATERAL ADJUSTMENTS TO BASE PLATE

F-2

4.8X38

**A FIX AT FLOOR**

F-2

17

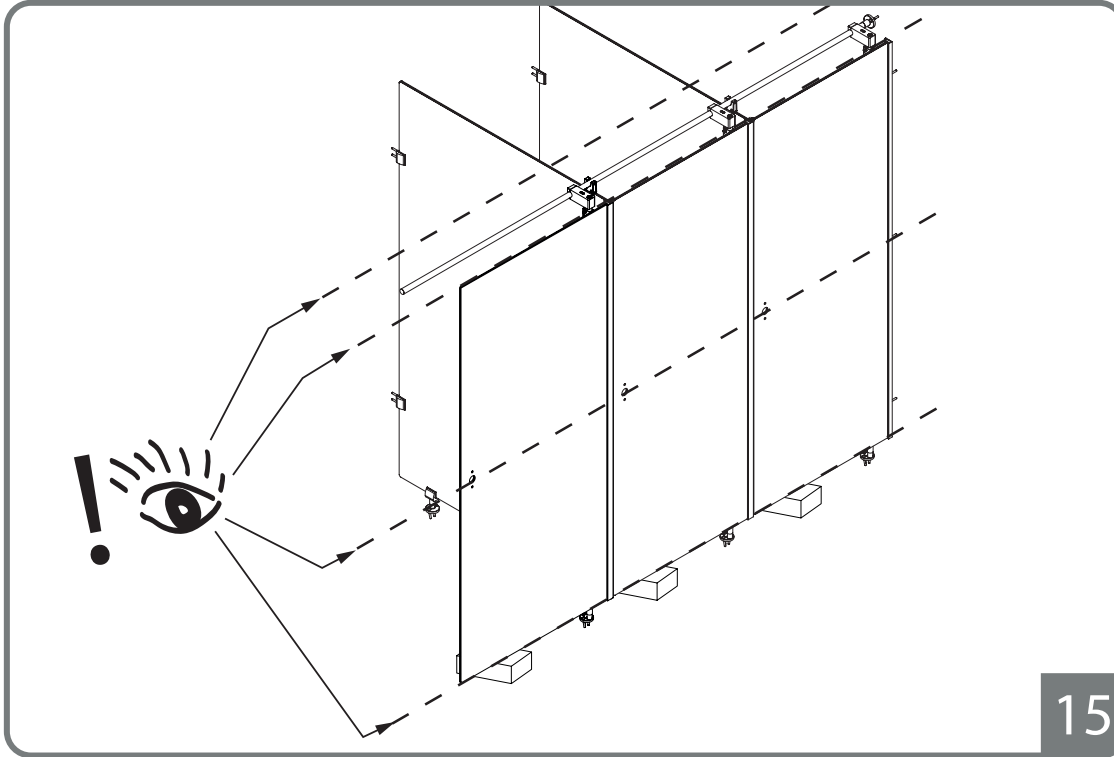
## STEP 17

- + ONLY ONCE YOU ARE SATISFIED WITH ADJUSTMENTS DO YOU PROCEED TO FASTEN THE SUPPORT TO THE FLOOR.

# INSTALLATION INSTRUCTIONS

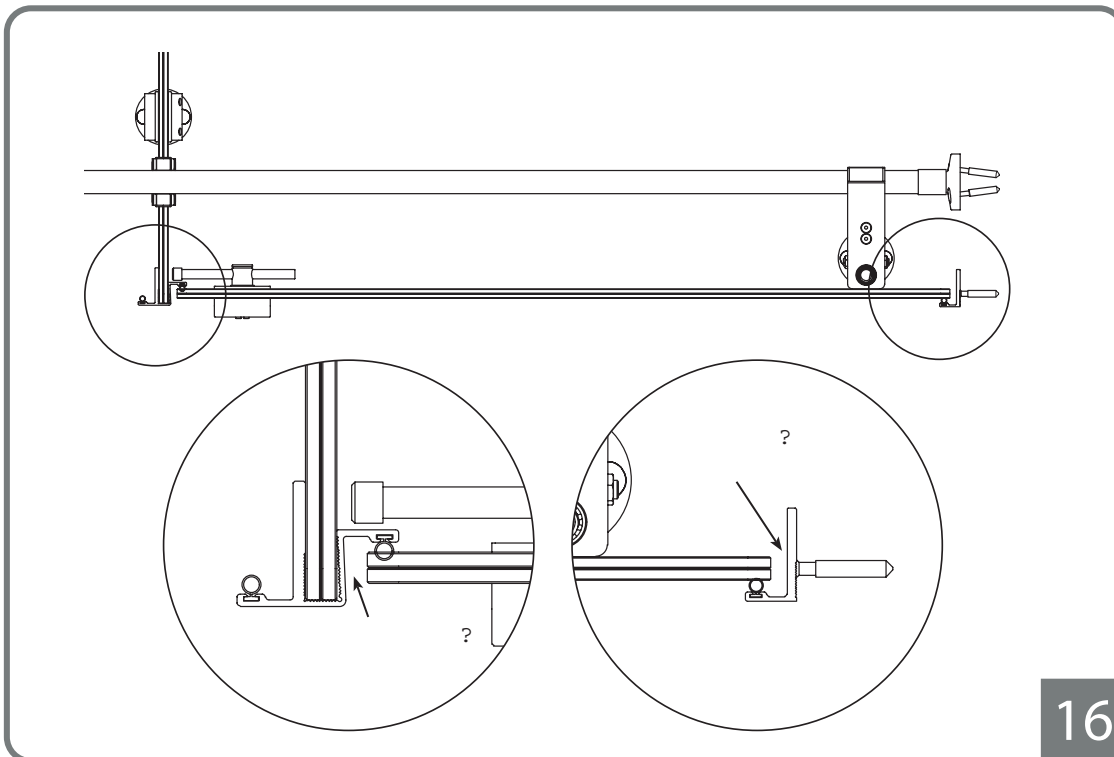
**NOTES**

Check all drawings



## STEP 18

- + ALIGN EVERYTHING
- + ASSURE EVERY ITEM ALIGNS AND SITELINES ARE EVEN.



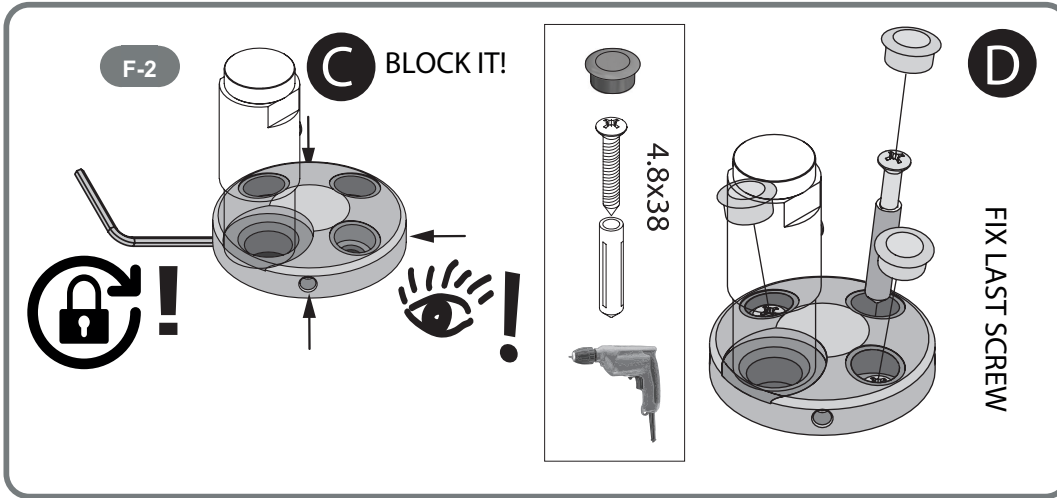
## STEP 19

- + ADJUST JAMB CLEARANCES WITH DOOR PANEL
- + ENSURE UNIFORM GAPS AT ALL GLASS PANELS

# INSTALLATION INSTRUCTIONS

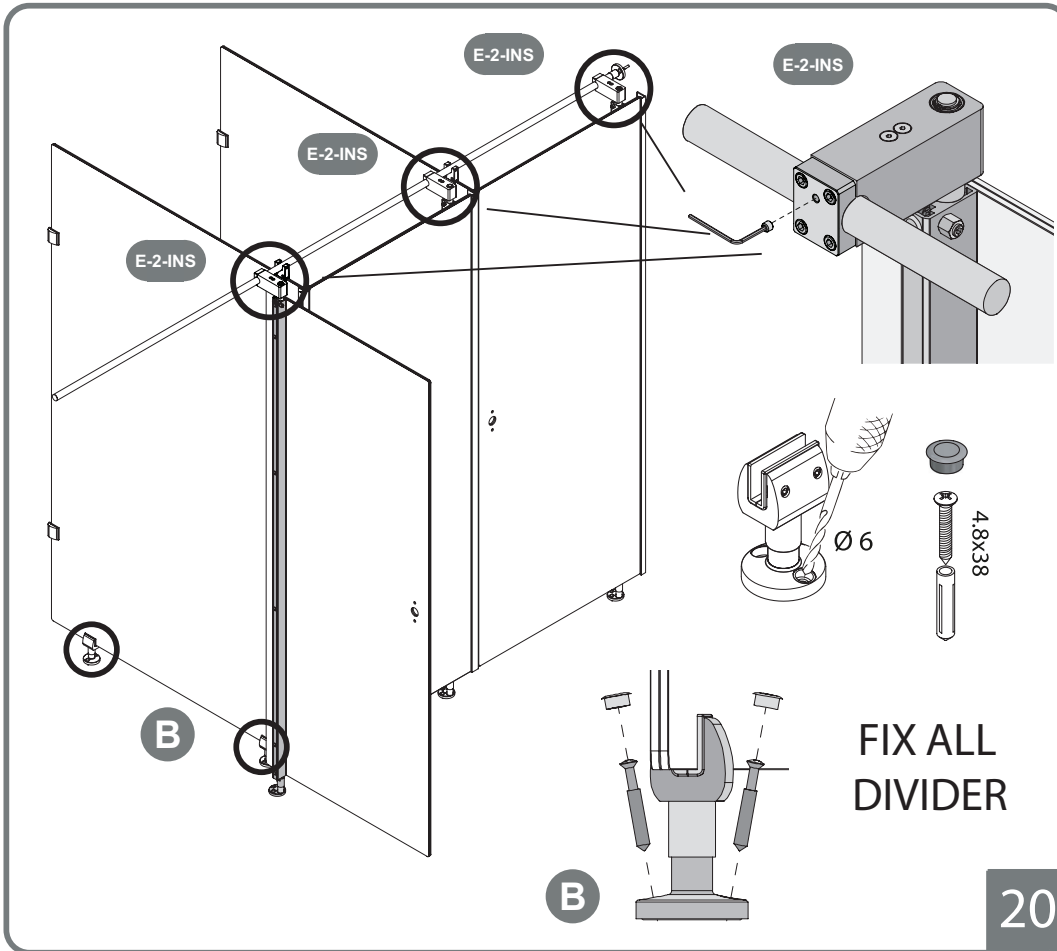
## NOTES

Check all drawings



## STEP 20

- + TIGHTEN AND ADJUST ALL COMPONENTS
- + MAKE SURE ALL COMPONENTS ARE SECURELY ANCHORED

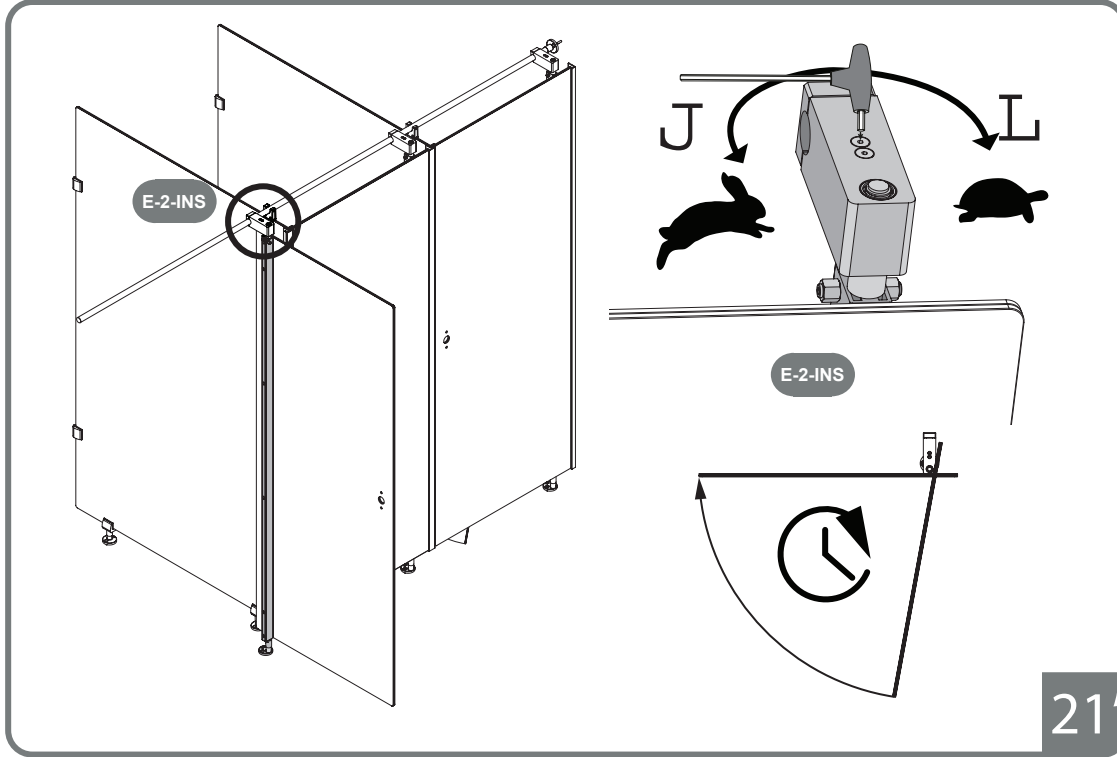


COLOUR GLASS 15

# INSTALLATION INSTRUCTIONS

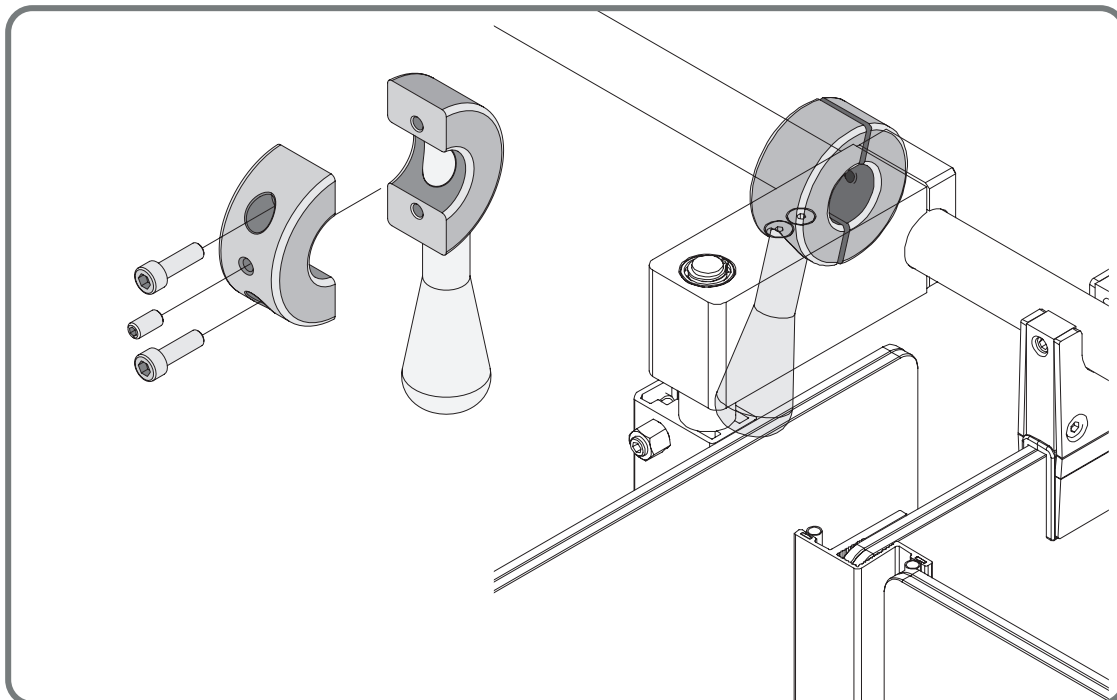
## NOTES

Check all drawings



## STEP 21

+ MAKE DOOR CLOSING SPEED ADJUSTMENTS



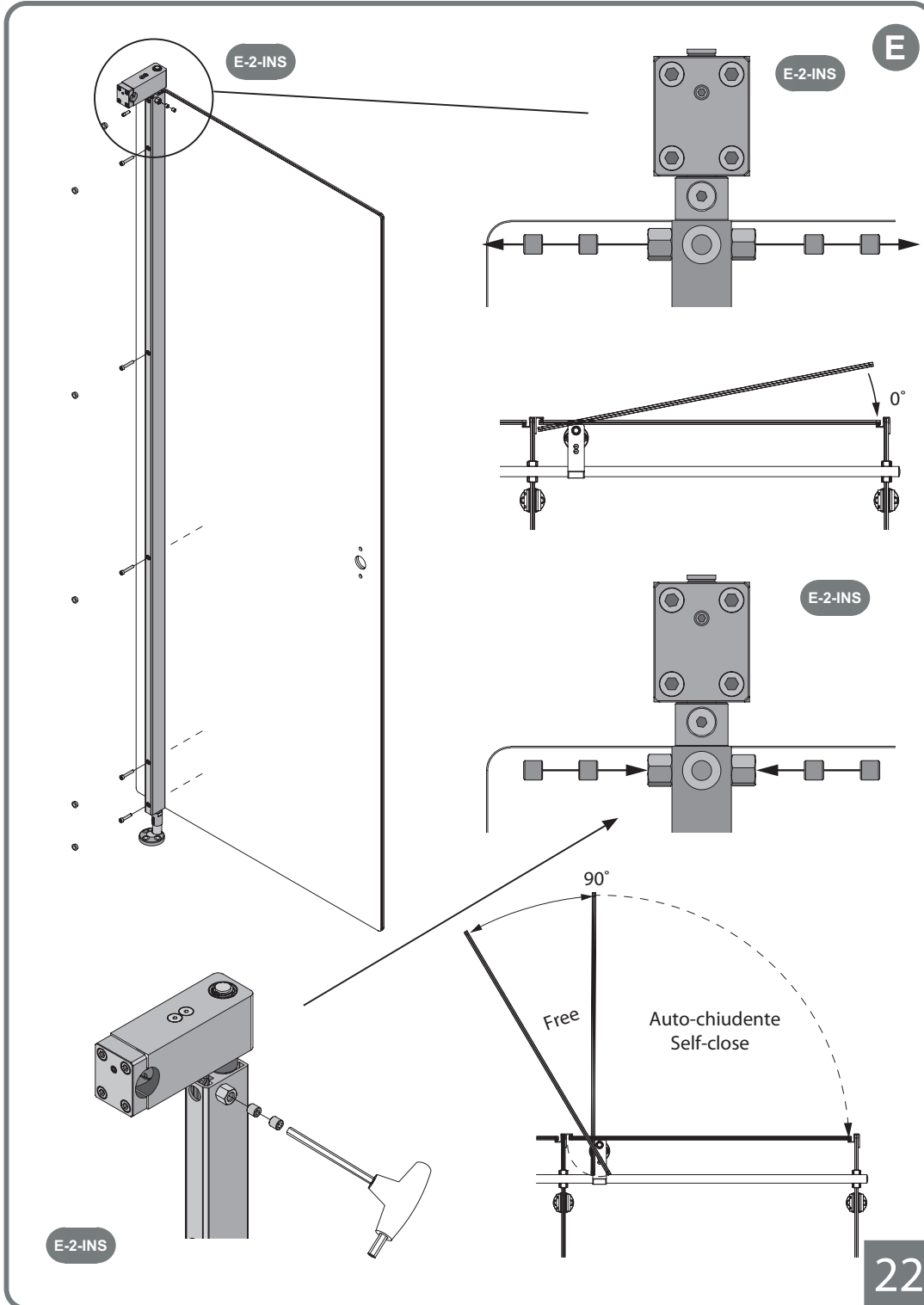
## STEP 21 Cont.

+ INSTALL DOOR LIMIT STOPPERS ON STABILIZING BAR. (APPLICABLE TO OUT-SWING DOORS)

# INSTALLATION INSTRUCTIONS

## NOTES

Check all drawings



## STEP 22

+ **DOUBLE CHECK AND TIGHTEN AND SECURE ALL DOOR COMPONENTS**

COLOUR GLASS 17

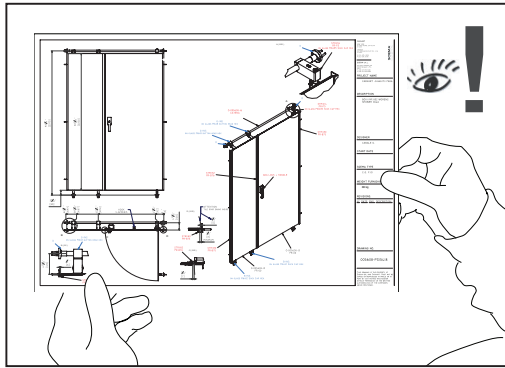


# INSTALLATION INSTRUCTIONS

**NOTES**

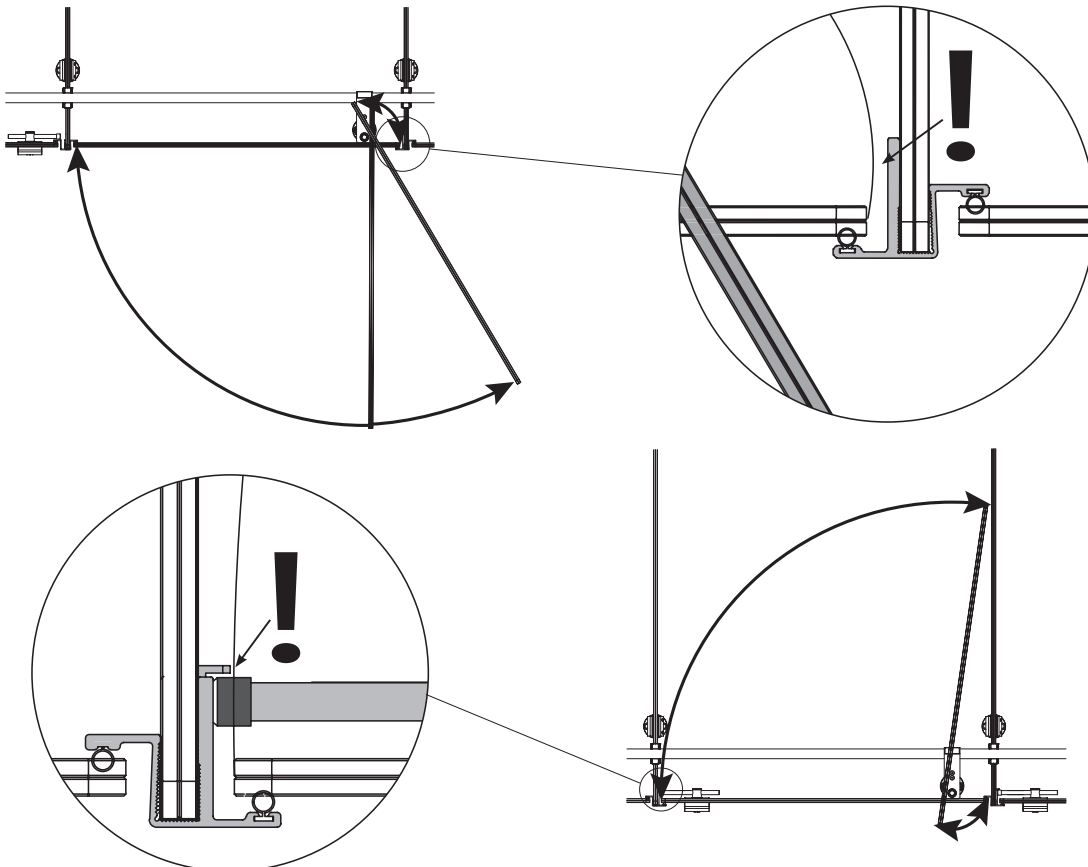
Check all drawings

**!CAUTION!**



## STEP 23

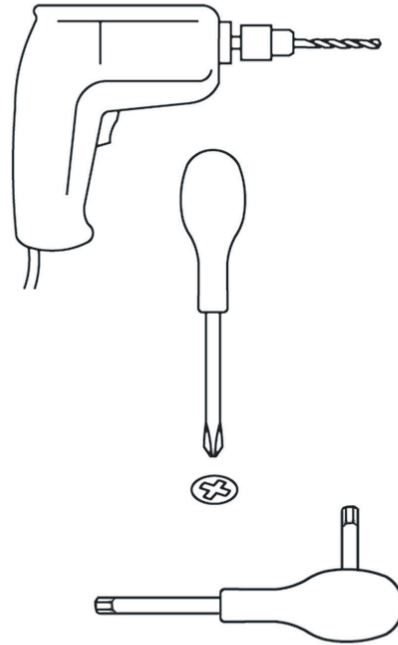
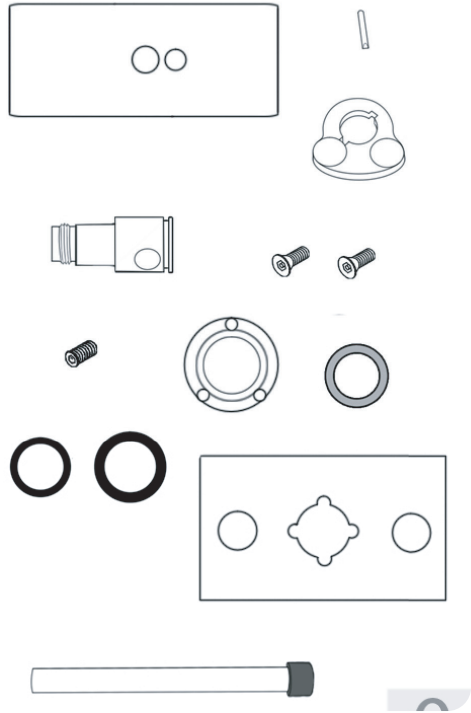
- + CHECK ALL ADJUSTMENTS AND SWING CLEARNCES
- + A. ADJUST LATCH SO IT HAS ENOUGH ROOM AWAY FROM THE JAMB.
- + CHECK DOOR SWING PROPERLY AND IS FUNCTIONAL. (TRY OPENING IT SEVERAL TIMES DURING INSTALLTION TO ENSURE PROPER OPERATION.



# INSTALLATION INSTRUCTIONS

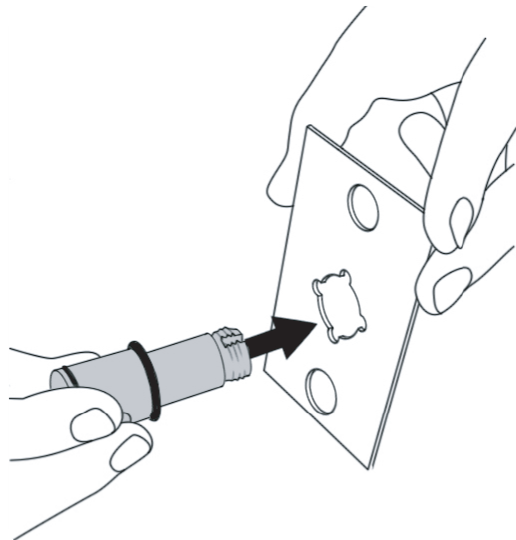
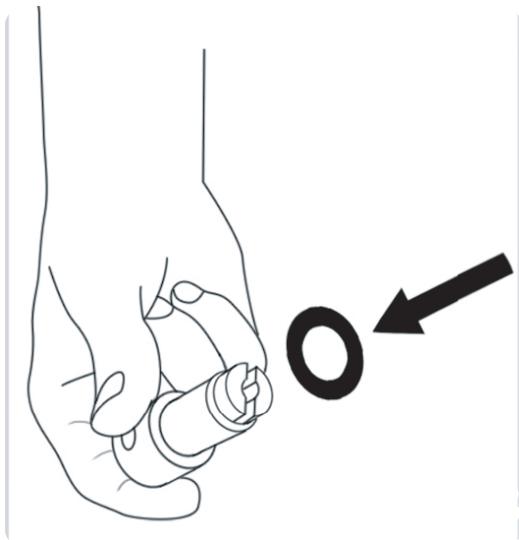
## NOTES

Check all drawings



## STEP 25

+ **DOUBLE CHECK YOU HAVE ALL LATCH COMPONENTS AND TOOLS**



## STEP 26

+ **INSERT CIRCULAR CAP AND PLACE INTO PLASTER PLATE.**

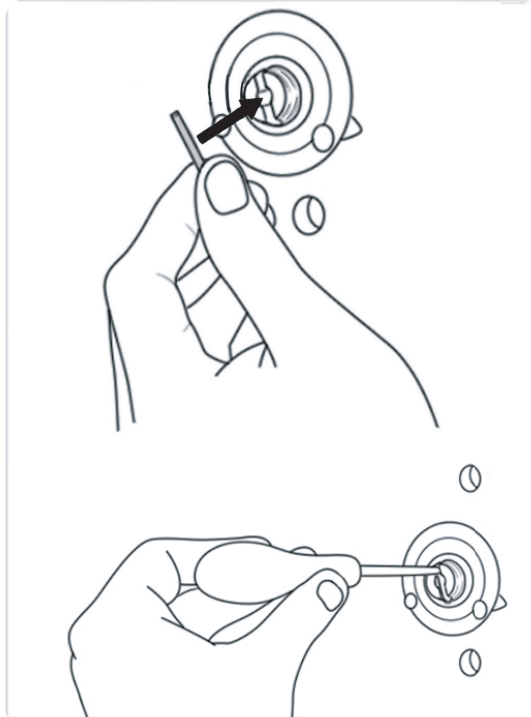
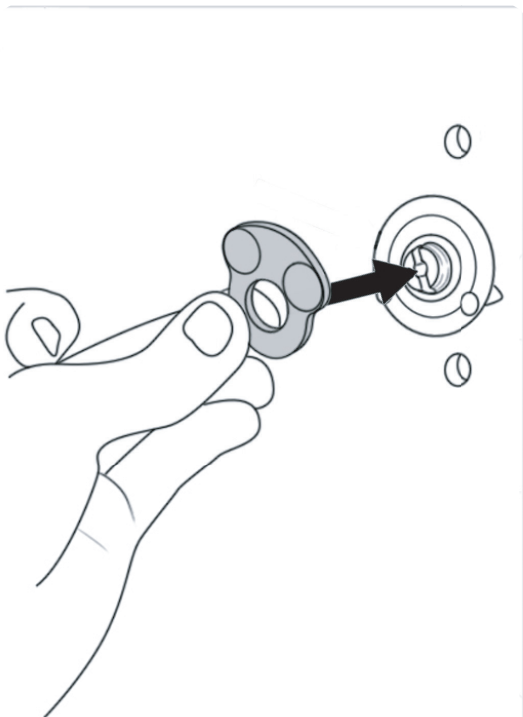
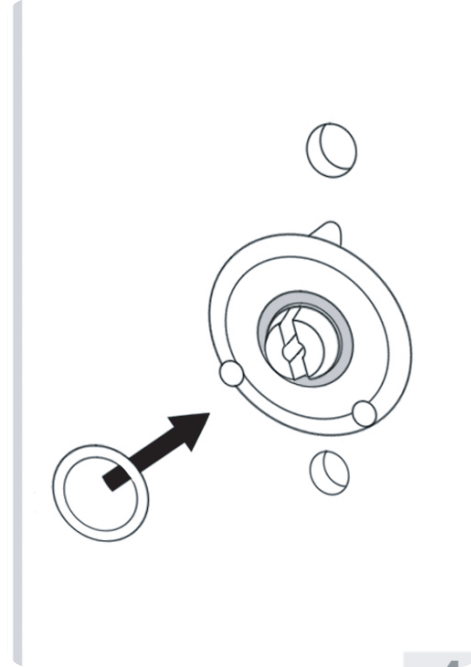
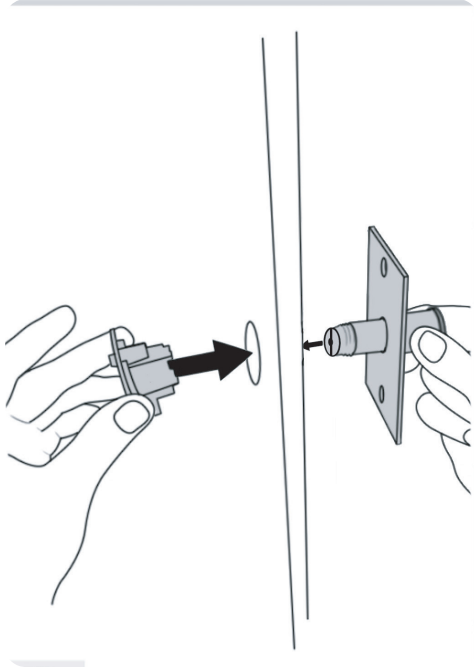
# INSTALLATION INSTRUCTIONS

## NOTES

Check all drawings

## STEP 27

+ ASSEMBLE SELECTED  
DOOR HARDWARE ON  
DOOR PANEL



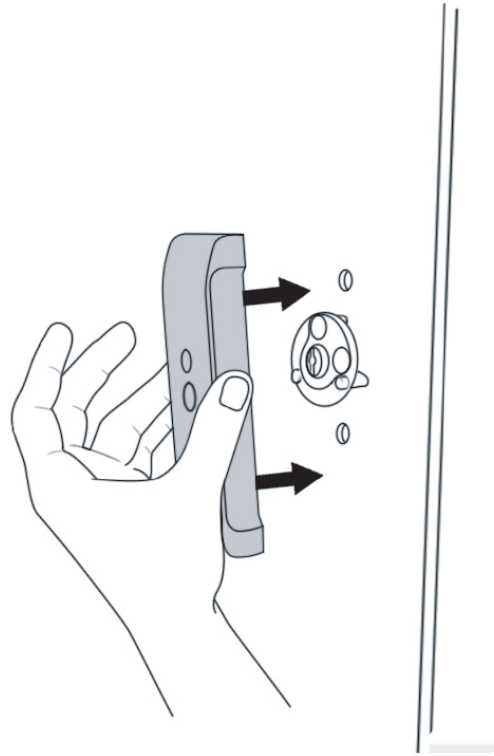
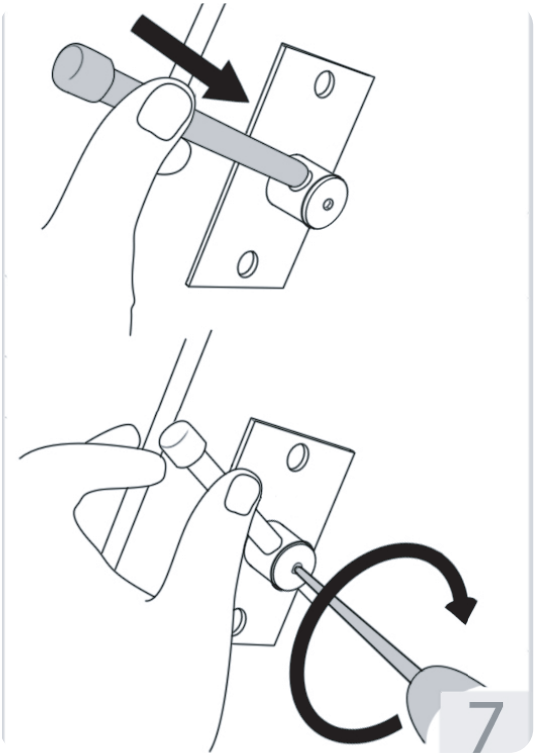
## STEP 28

+ ASSEMBLE SELECTED  
DOOR HARDWARE ON  
DOOR PANEL

# INSTALLATION INSTRUCTIONS

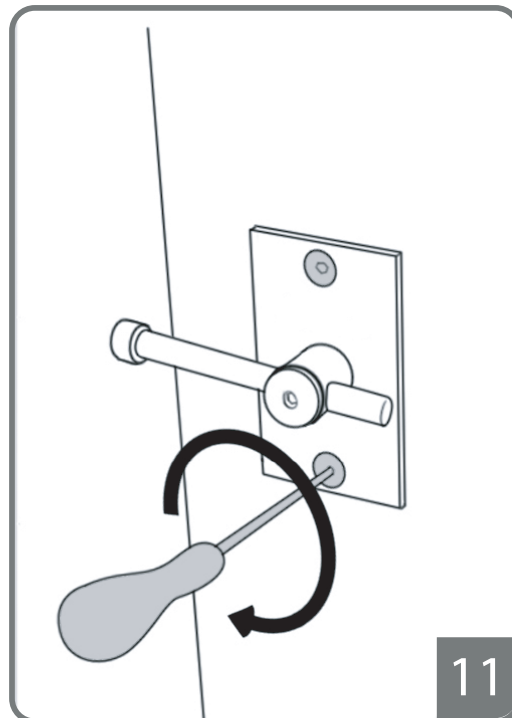
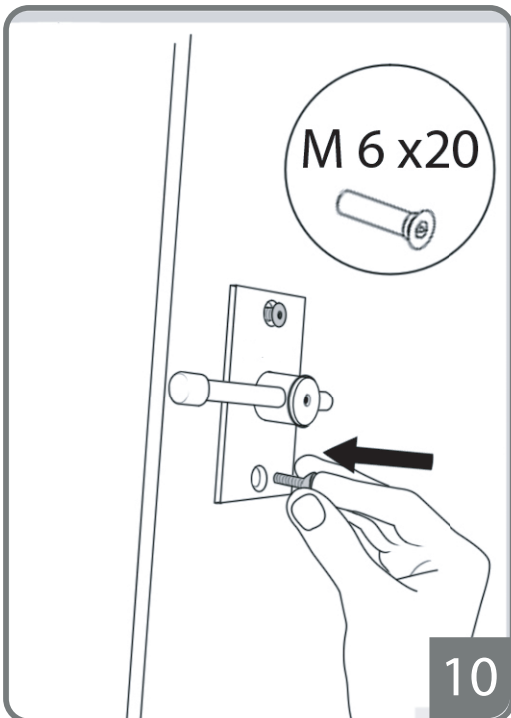
## NOTES

Check all drawings



## STEP 29

- + ASSEMBLE SELECTED DOOR HARDWARE ON DOOR PANEL



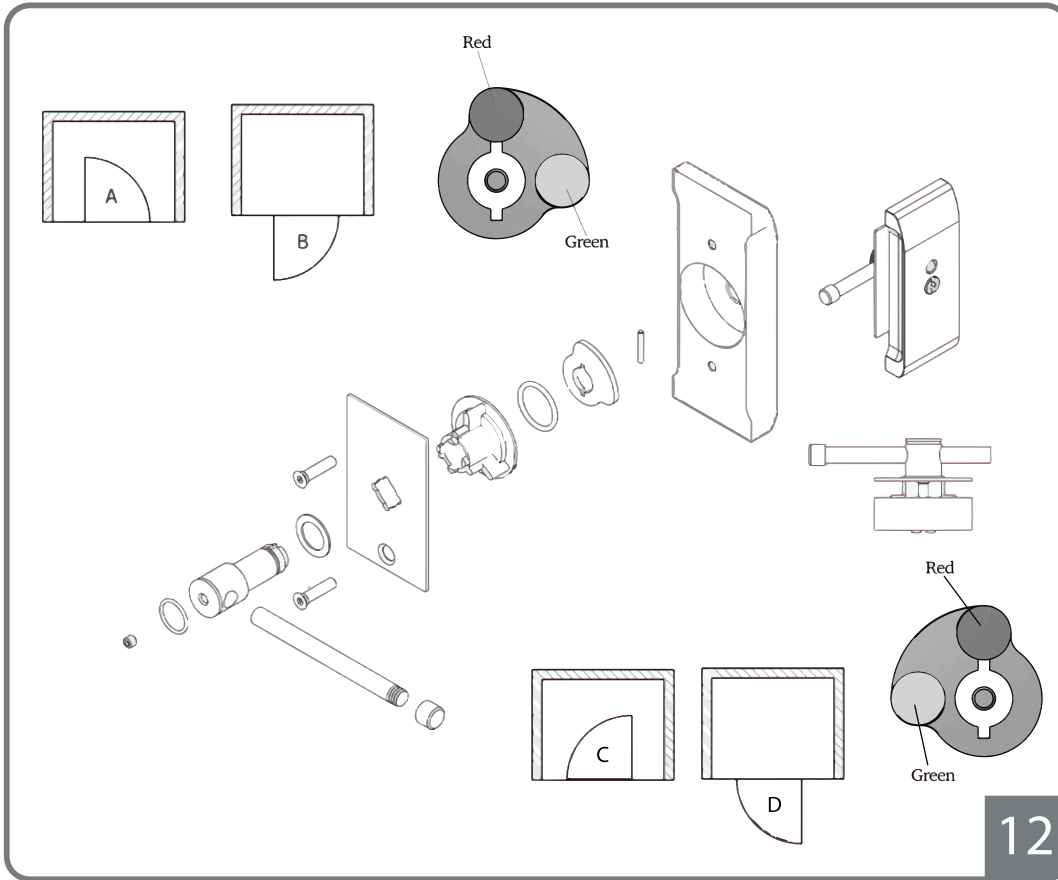
## STEP 30

- + ASSEMBLE SELECTED DOOR HARDWARE ON DOOR PANEL

# INSTALLATION INSTRUCTIONS

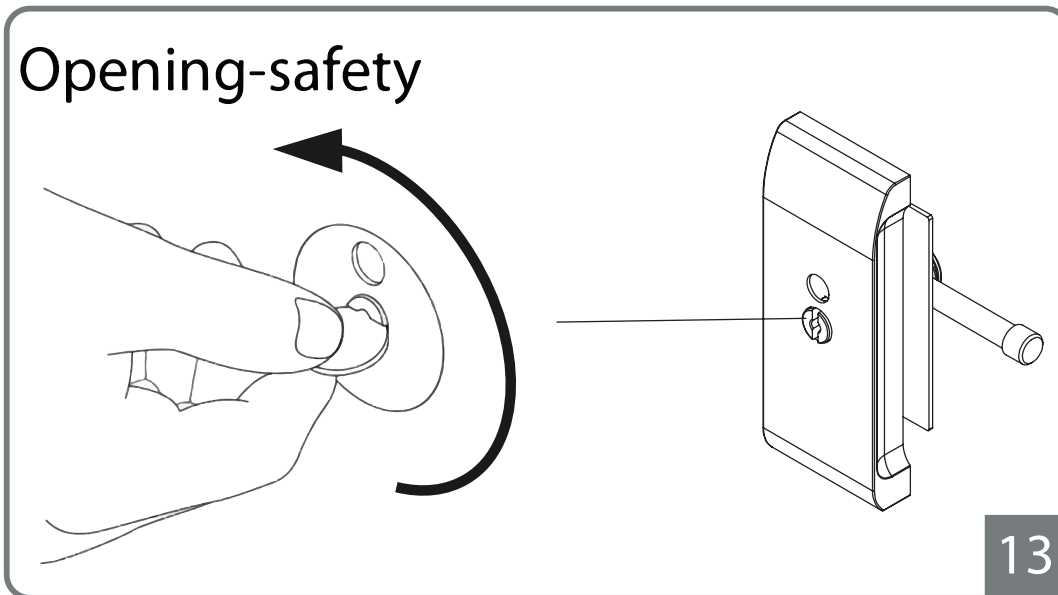
**NOTES**

Check all drawings



## STEP 31

+ ASSEMBLE SELECTED DOOR HARDWARE ON DOOR PANEL



## STEP 32

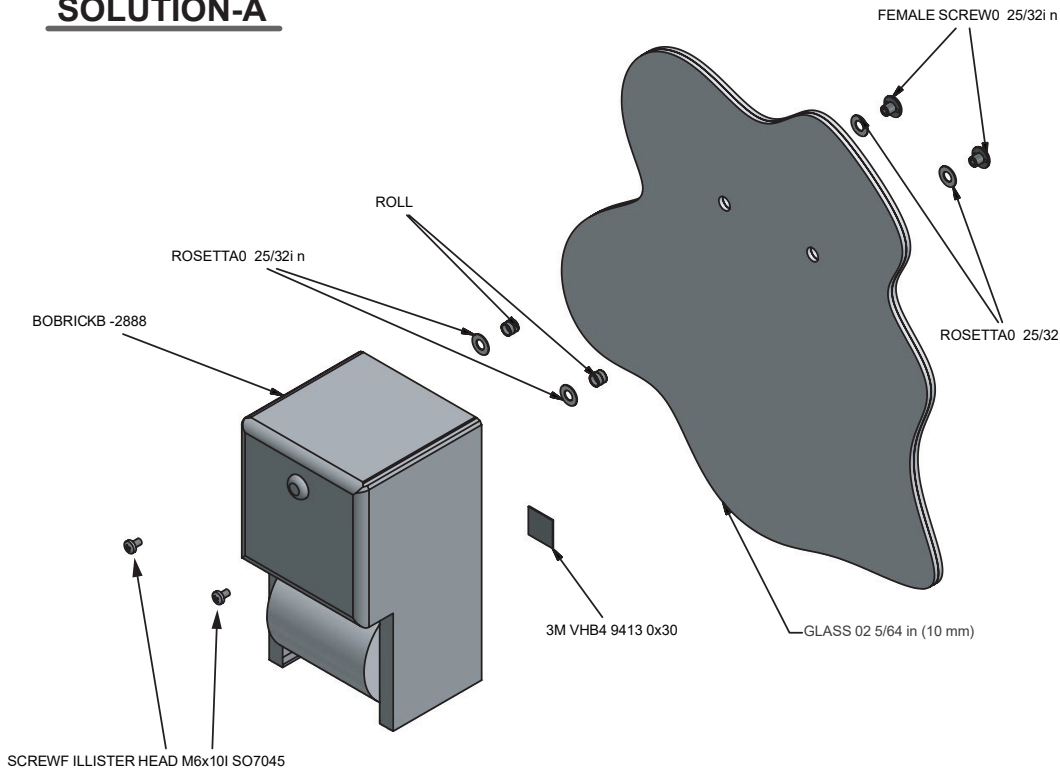
+ ASSEMBLE SELECTED DOOR HARDWARE ON DOOR PANEL

# PRE-APPROVED 3RD PARTY ACCESSORIES

**NOTES**

Check all drawings

## SOLUTION-A



## EXAMPLE 1

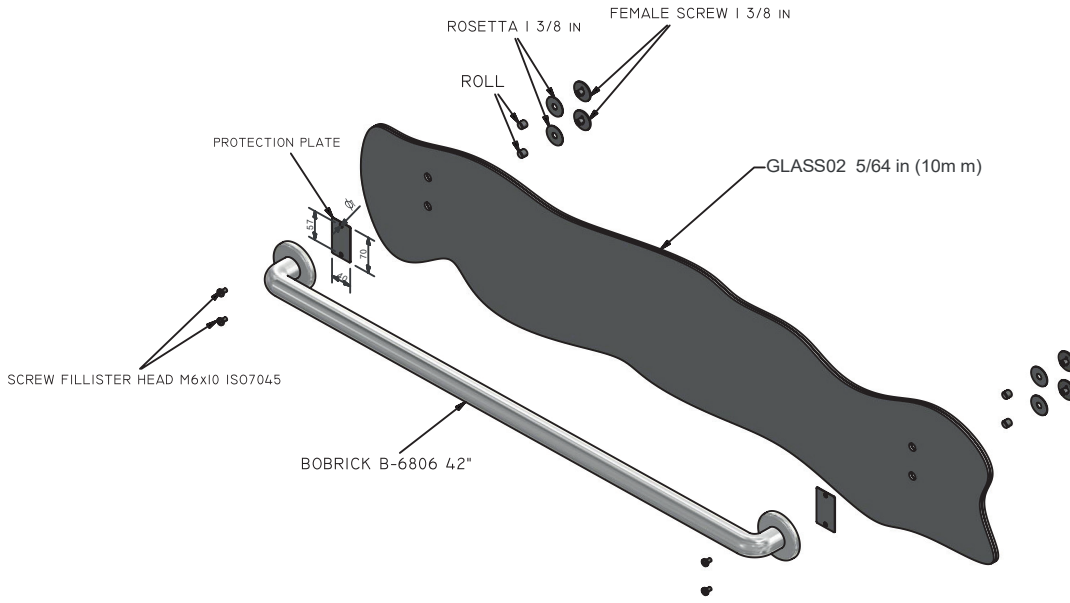
+ ASSEMBLE PRE-APPROVED 3RD PARTY ACCESSORY.

# PRE-APPROVED 3RD PARTY ACCESSORIES

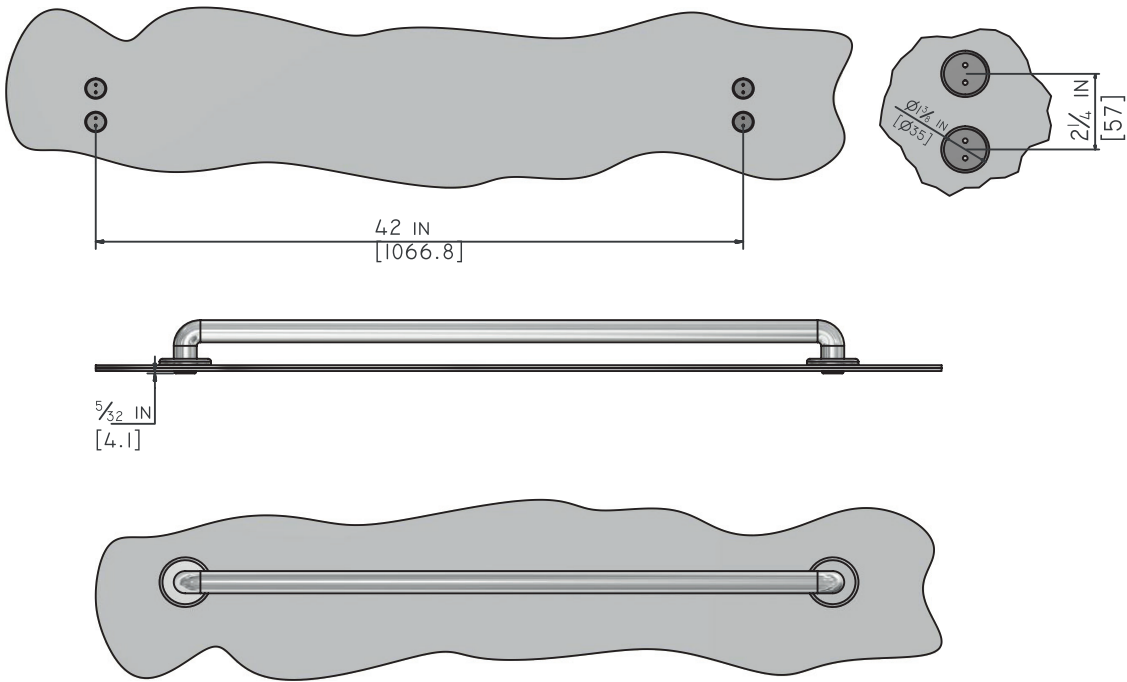
**NOTES**

Check all drawings

## GRAB-BAR SOLUTION



THEO PPOSITES IDEO FT HE DIVISION



COLOUR GLASS 21

## EXAMPLE 2

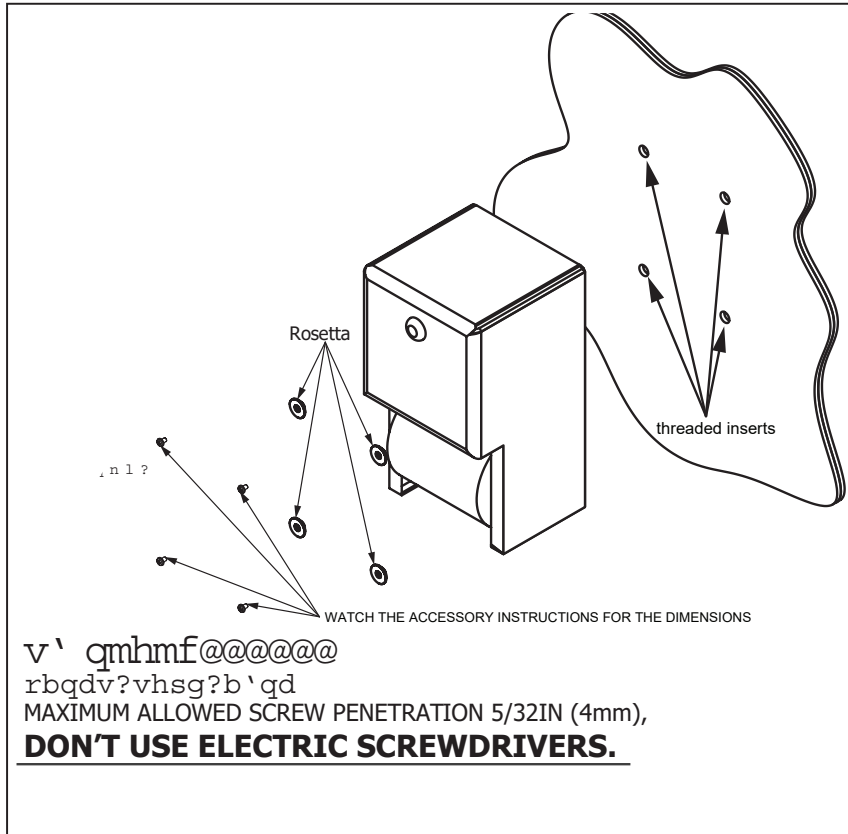
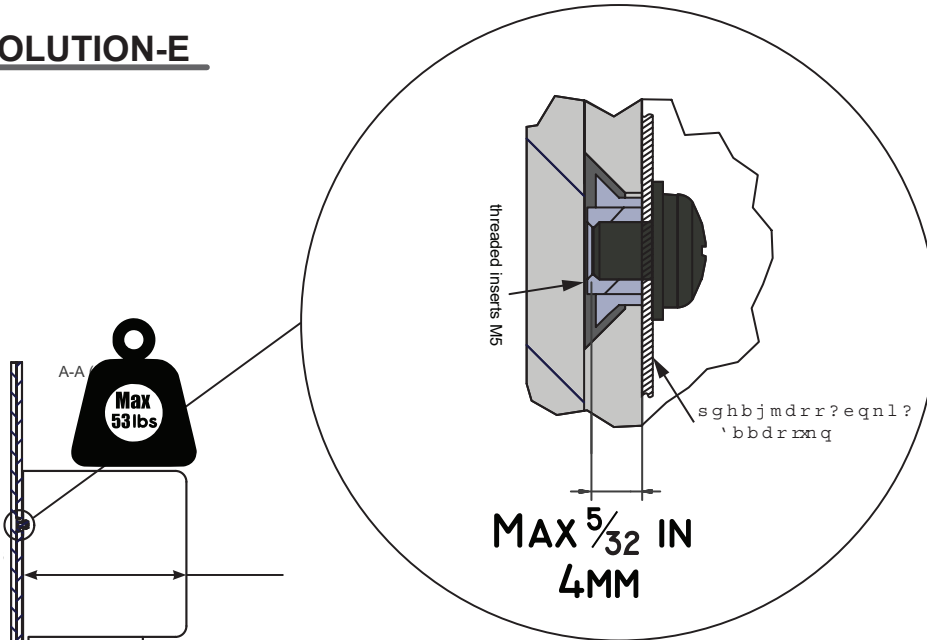
+ ASSEMBLE PRE-APPROVED 3RD PARTY ACCESSORY.

# PRE-APPROVED 3RD PARTY ACCESSORIES

## NOTES

Check all drawings

### SOLUTION-E



### EXAMPLE 3

+ ASSEMBLE PRE-APPROVED 3RD PARTY ACCESSORY.

COLOUR GLASS 2 0