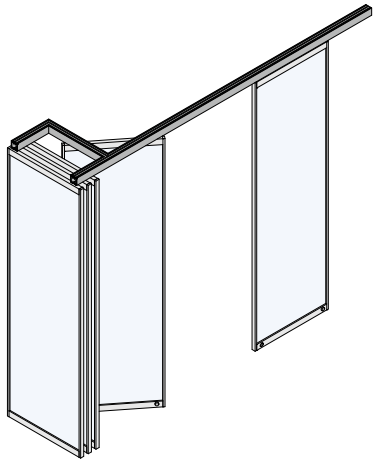
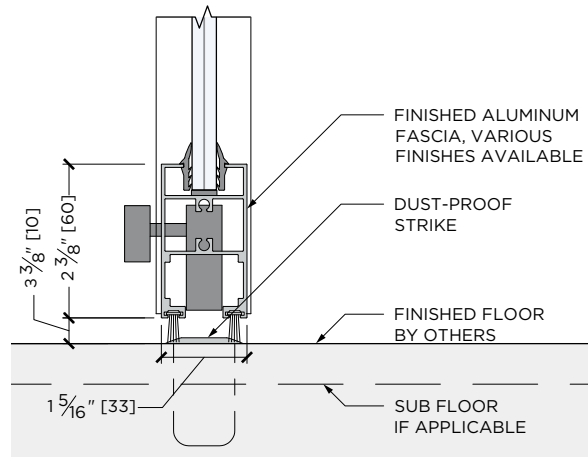


# glassSTACKWALL > Framed

GW-STAK-FD



3D ISOMETRIC VIEW



TYPICAL DETAILS



## Specifications

### glassSTACKWALL > Framed

Top-hung, fully-framed glass panels that provide increased acoustic privacy performance and travel individually along an upper track and stack and store into a pre-designated parking area. Top tracks can be concealed into the ceiling for minimal look with the advantage of glass panels completely disappear from the opening or be left exposed.

### APPLICATIONS —

Space dividers, offices, commercial spaces, conference rooms

### HARDWARE —

Anodized aluminum finishes; glass held by dry-glazed gaskets and verticals; top-hung panels that slide through track and individually stack into parking area

### HARDWARE FINISHES —

- MFSA (satin anodized aluminum)
- MFPA (polished anodized aluminum)
- MFBA (black anodized aluminum)
- MFBN (brushed antique nickel)
- MFBN (brushed satin nickel)

### PANEL WIDTH (OVERALL MAXIMUM) —

Maximum: 37"

### SYSTEM HEIGHT (OVERALL MAXIMUM) —

Maximum Height: 120"

### MOUNTING OPTIONS —

- Top-hung; header must support full weight of system
- Panels held by dry-glazed gaskets and verticals

### GLASS THICKNESS —

Tempered monolithic and tempered laminated:  
-3/8" [6mm] - 13/16" [21mm]

### WARRANTY —

1 Year Limited Warranty

Specification Code: **GW-STAK-FD**

<b>GW</b>	<b>STAK</b>	<b>FD</b>
<small>LINE</small>	<small>TYPE</small>	<small>MODEL/ID</small>