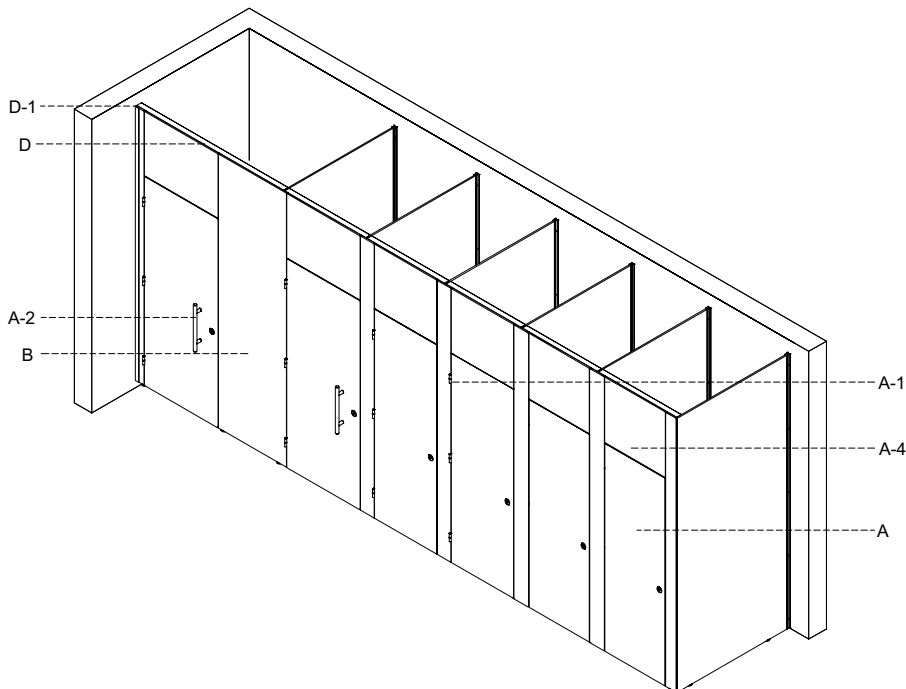
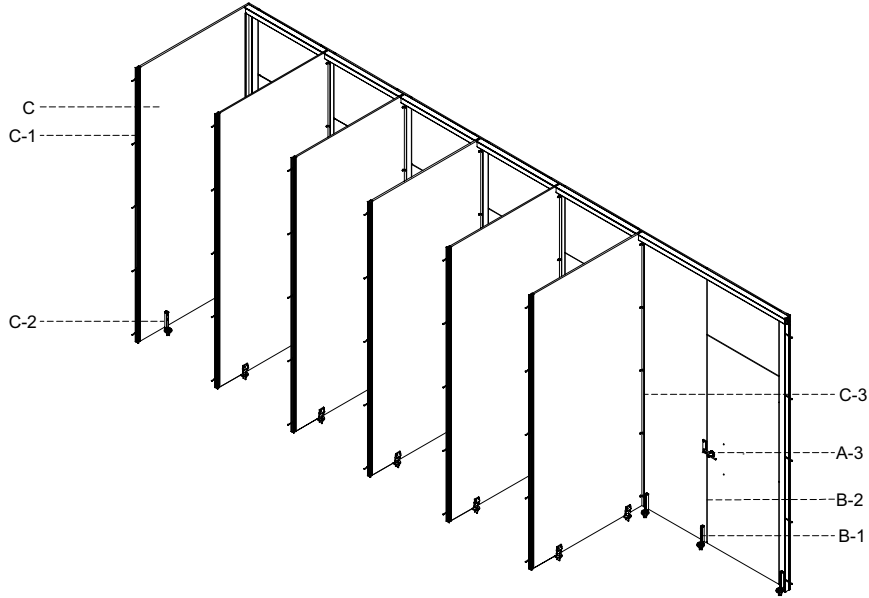


chplENCLOSE

Installation Instructions

- + COMMERCIAL BATHROOM CUBICLE INSTALLER REQUIRED
- + STRUCTURAL CORDINATION AND CALCULATION BY OTHER
- + CARVART ASSIST WITH INSTALL AND CORDINATION



chplENCLOSE

Installation Guide

DOOR

1. ASSEMBLE DOOR COMPONENTS ON CHPL PANEL
2. USE STANDARD LATCH
3. SELECT PULL TYPE
4. INSERT GRAVITY BUTT HINGES FROM DOOR PANEL INTO FIXED PILASTER PANEL

FIXED PILASTER PANEL

1. BACK FASTEN HEADER TO FIXED PILASTER PANEL
2. FASTEN TO DIVIDER PANEL
3. BACK FASTEN SUPPORT LEGS AND MOUNT TO FLOOR

DIVIDER

4. INSTALL T-CONNECTION TO FIXED DIVIDER
5. INSTALL SUPPORT LEGS

HEADER

1. ATTACH TO FIXED TRANSOM
2. ATTACH TO FIXED FRONT PILASTERS

COMPONENTS

NOTE: Letters correspond to components labeled on the 'TYPICAL COMPONENTS' diagram.

A. Door

Material: cHPL

- 9/16" Compact High Pressure Laminate
 - Specify Color & Pattern
- A-1 Gravity Butt Hinge
- A-2 Pull Options
- Round Pull
 - Rectangle Pull
 - ADA Rectangle Pull
 - Ladder Pull
 - Back to Back Ladder Pull
- A-3 Lever Latch
- A-4 Fixed Transom

B. Fixed Pilaster Panel

Material: cHPL

- 9/16" Compact High Pressure Laminate
 - Specify Color & Pattern
- B-1 Back Fastened Support Leg - Clearance Options:
- 3" Floor Clearance
 - 9" Floor Clearance
 - 12" Floor Clearance
- B-2 Rabbeted Door Jamb with Bulb Gasket

C. Divider

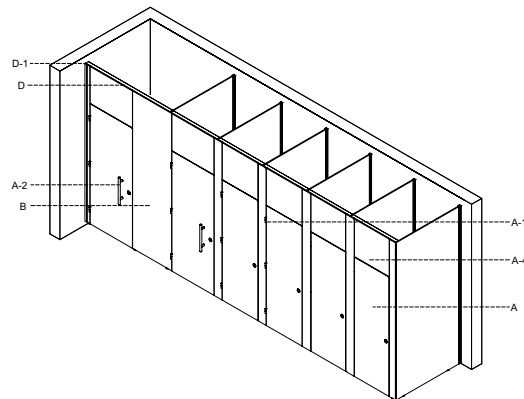
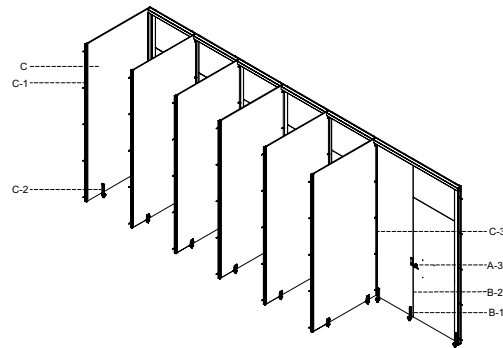
Material: cHPL

- 9/16" Compact High Pressure Laminate
 - Specify Color & Pattern
- C-1 Full Height Vertical Profile
- C-2 Clamp Support Leg - Clearance Options:
- 3" Floor Clearance
 - 9" Floor Clearance
 - 12" Floor Clearance
- C-3 T-Connection (to Fixed Pilaster Panel)

D. Stabilizing Header

Material: Double Anodized Aluminum

- Standard Finish: Satin Anodized Aluminum
 - Specify Color & Pattern
- D-1 Wall Mounted Stabilizing Connection
- D-2 LED Privacy Indicator (Optional)



TOOLS NEEDED

Use other standard installation tools

DRILL

Use power tools for drilling into building structure.



SCREW DRIVER

Use hand tools only for all glass attachments



HEX KEY

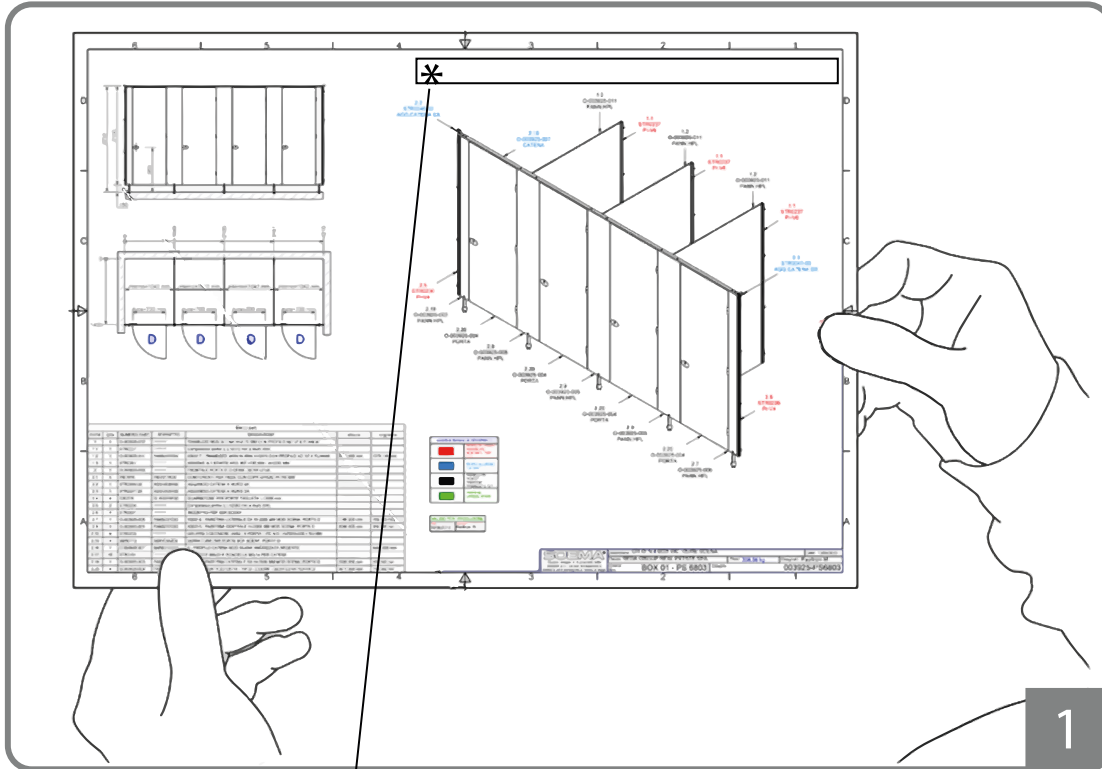
Required metric tools



INSTALLATION INSTRUCTIONS

NOTES

Check all drawings

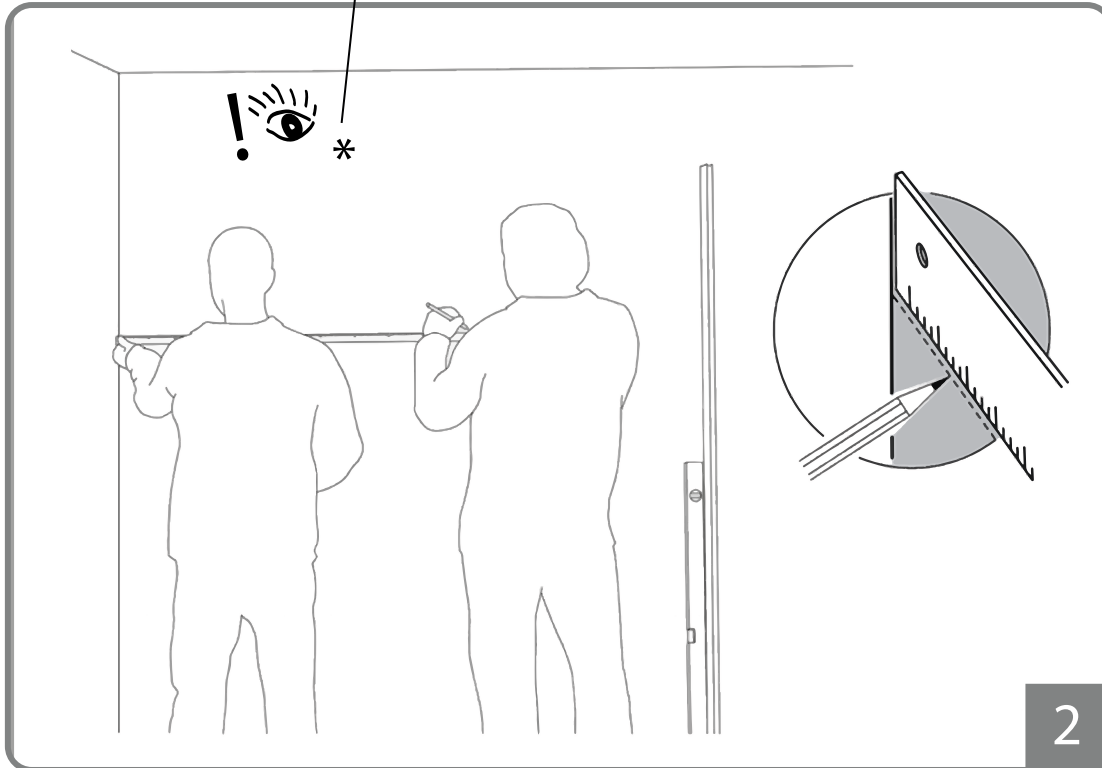


STEP 1

INSPECT CRATE CONTENT FOR ANY DAMAGE FROM SHIPPING.

DO NOT PROCEED WITHOUT THOROUGH INSPECTION OF MATERIAL.

- CHECK SHOP DRAWINGS
- CHECK FIELD DIMENSIONS
- CHECK TOOLS
- CHECK EQUIPMENT



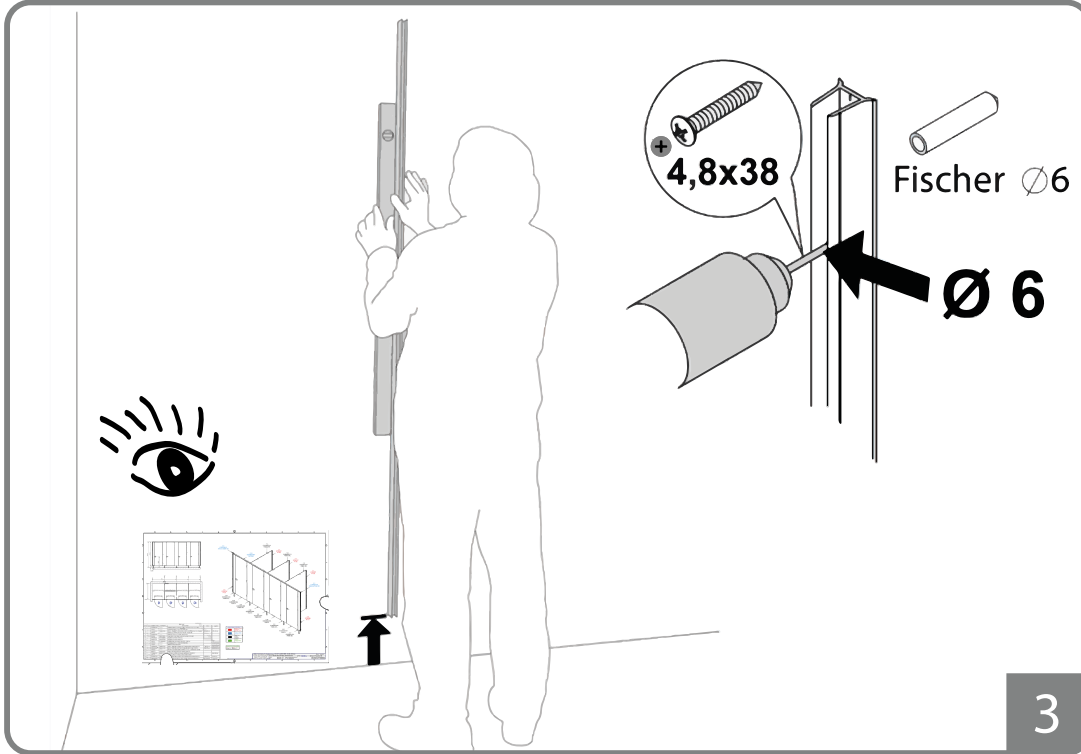
STEP 2

MEASURE AND MARK ANCHORING SPOTS

INSTALLATION INSTRUCTIONS

NOTES

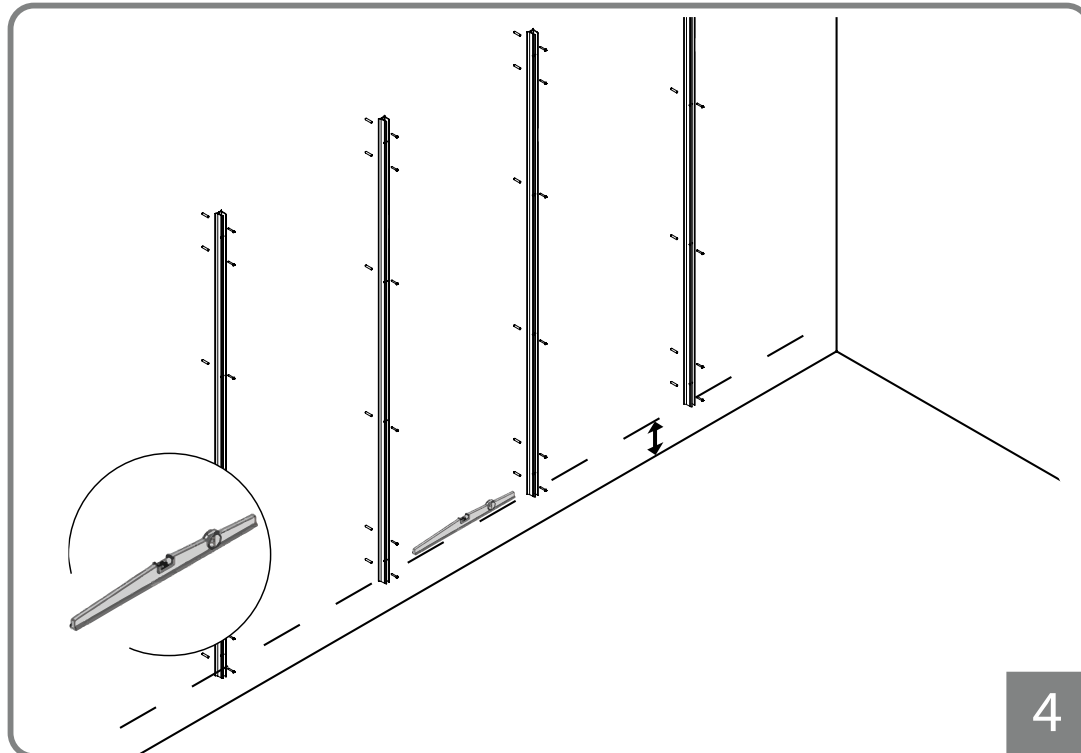
Check all drawings



STEP 3

DRILL HOLE
INSERT ANCHOR
FASTEN CHANNEL TO WALL
WITH SCREW

ALTERNATE: WOOD SCREWS/
SHEET METAL SCREW CAN
BE USED DEPENDING ON THE
BLOCKING TYPE PROVIDED
BY CONTRACTOR. ALTERNATE
TYPE OF SCREWS ARE NOT
PROVIDED BY CARVART



STEP 4

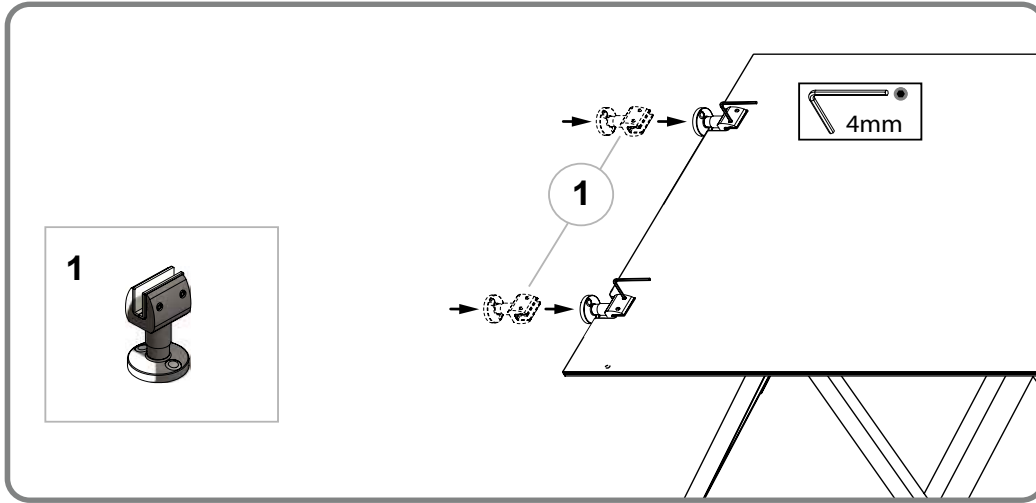
MAKE SURE ALL DIVIDER
CHANNELS ARE LEVEL

REFER TO SHOP
DRAWINGS FOR BLOCKING
REQUIREMENTS.

INSTALLATION INSTRUCTIONS

NOTES

Check all drawings

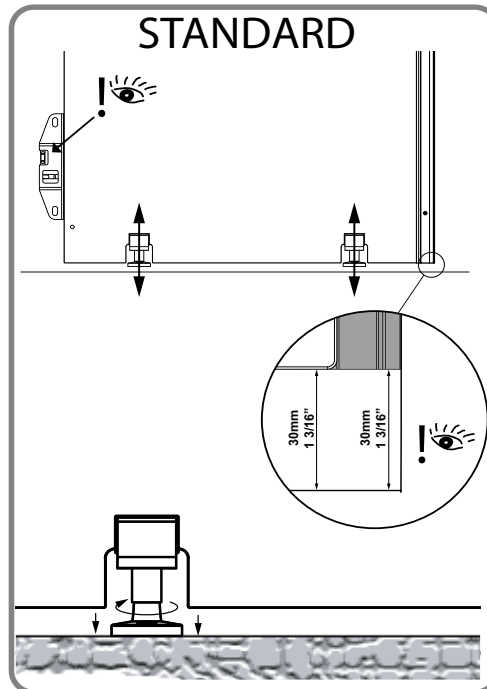
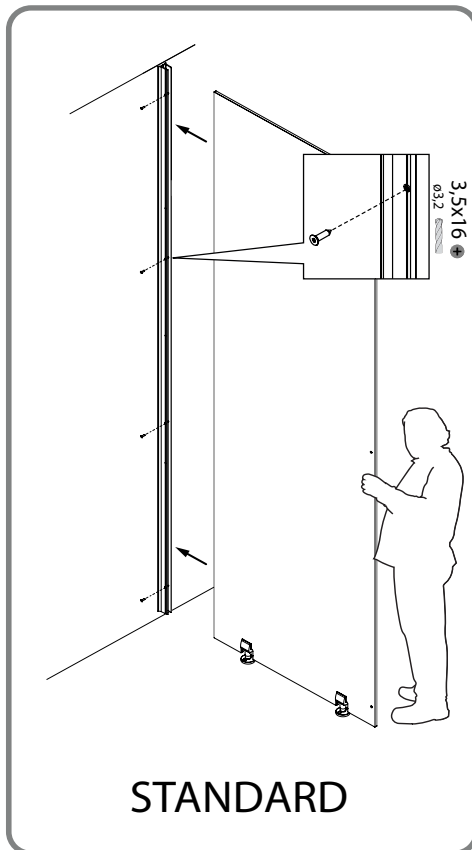


STEP 5

SCREW AND FASTEN SUPPORT LEG TO DIVIDER PANEL.

DO NOT ANCHOR THE FLOOR SUPPORT LEG INTO THE FLOOR UNTIL THE END.

THE DIVIDER WILL SLOT INTO THESE CONNECTIONS.



STEP 6

INSERT CONNECTED DIVIDER AND PILASTER INTO THE MOUNTED DIVIDER CHANNEL.

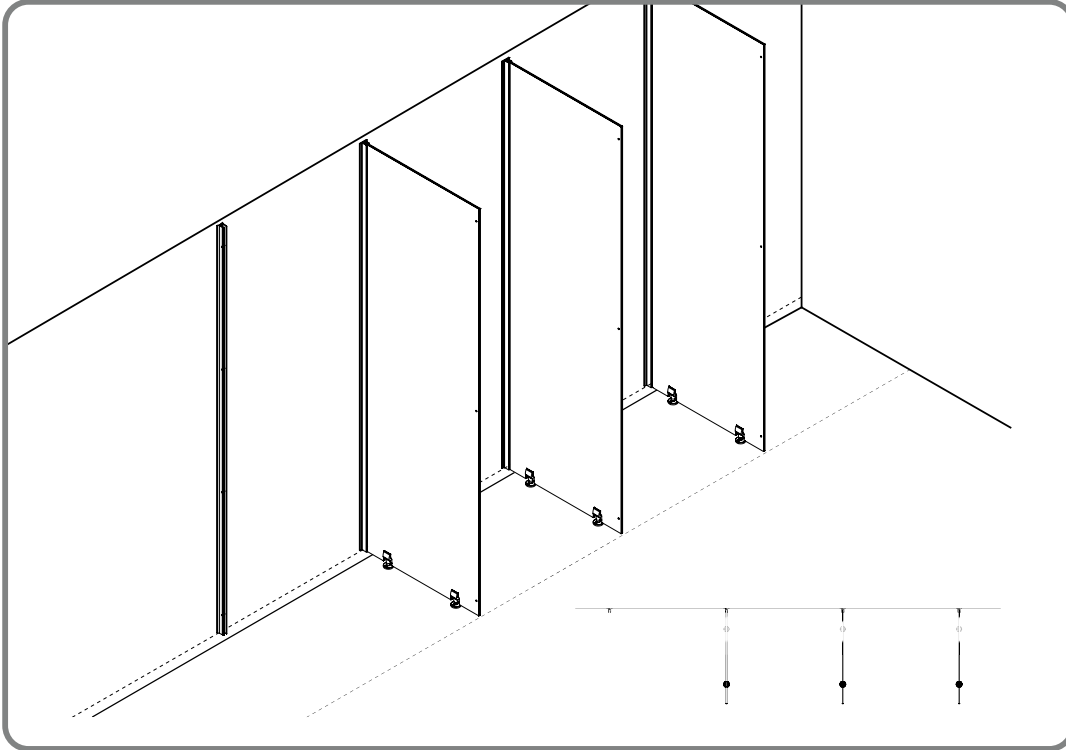
DO NOT ANCHOR THE FLOOR SUPPORT LEG INTO THE FLOOR UNTIL THE LATER STEP.

ENSURE DIVIDER IS LEVEL.

INSTALLATION INSTRUCTIONS

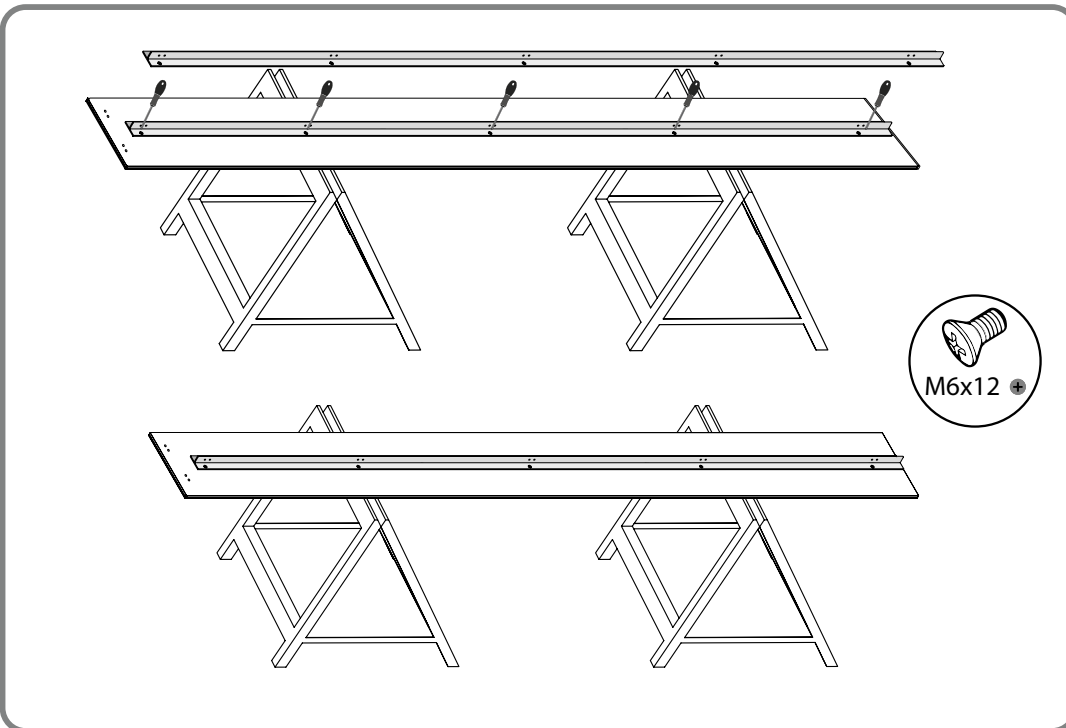
NOTES

Check all drawings



STEP 7

INSERT CONNECTED DIVIDER AND PILASTER INTO THE MOUNTED DIVIDER CHANNEL.



STEP 8

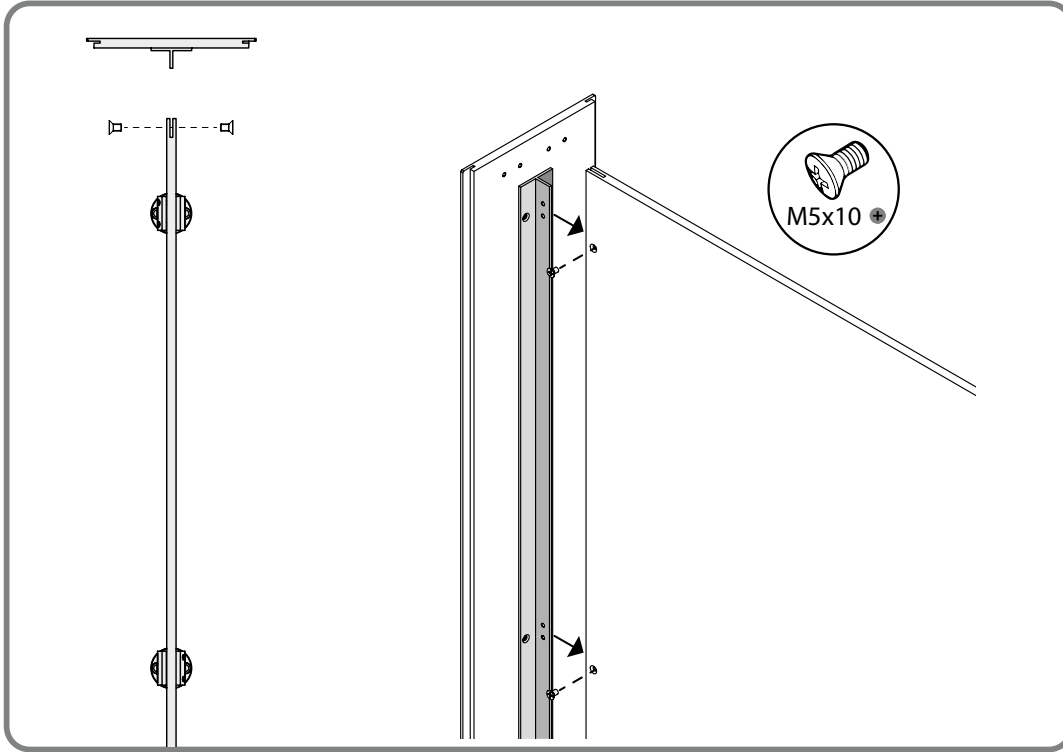
INSERT PILASTER INTO DIVIDER USING T-CONNECTION.

THE DIVIDER WILL SLOT INTO THESE CONNECTIONS.

INSTALLATION INSTRUCTIONS

NOTES

Check all drawings

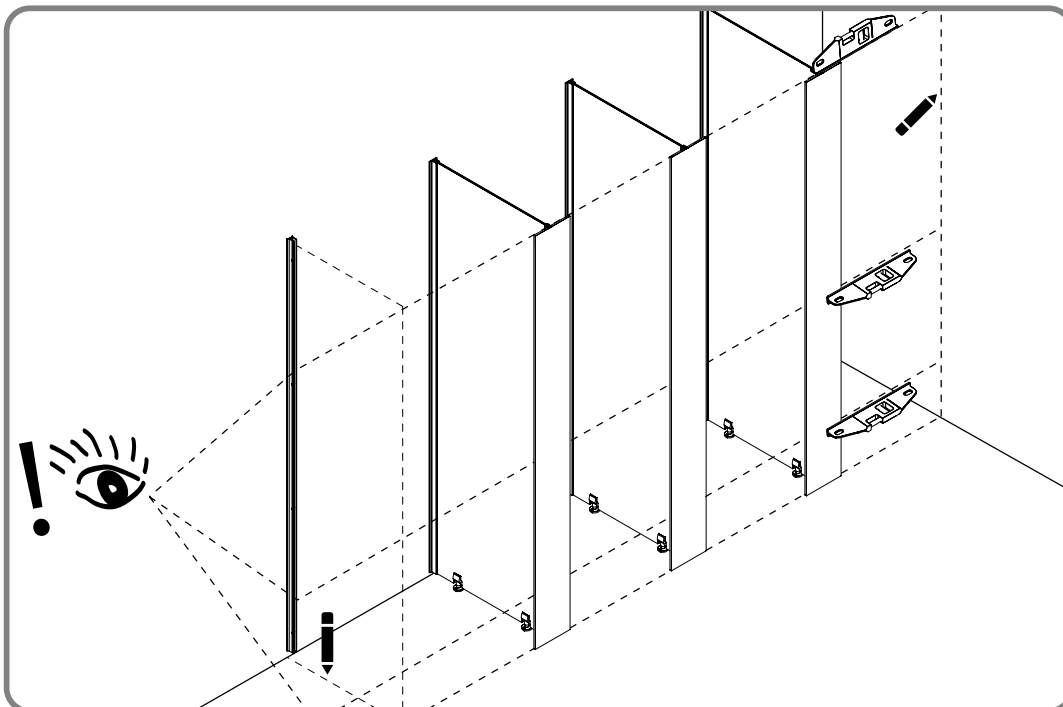


STEP 9

INSERT DIVIDER INTO PILASTER USING T-CONNECTION.

THE DIVIDER WILL SLOT INTO THESE CONNECTIONS.

SCREW TOGETHER WITH FASTENERS.



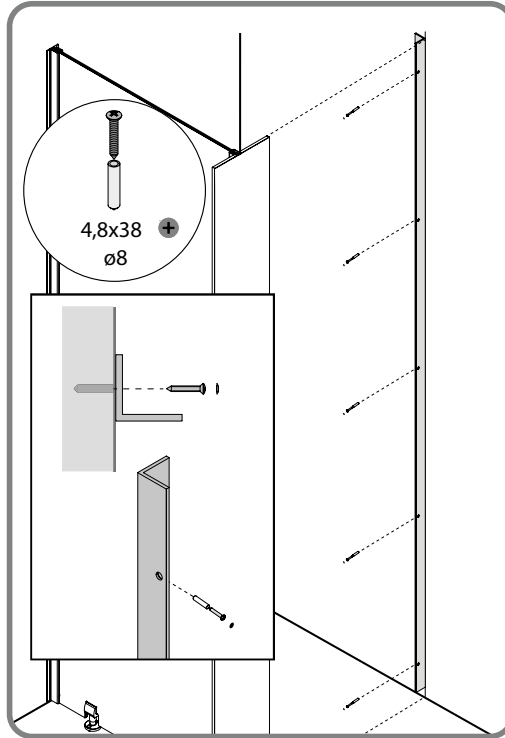
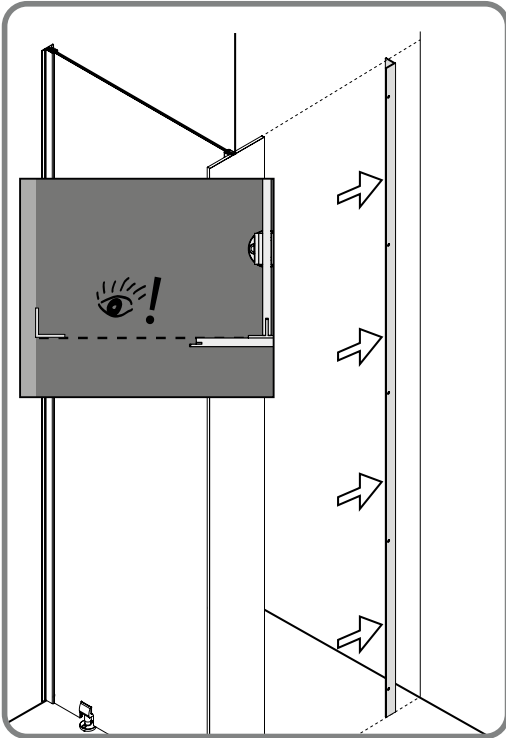
STEP 10

ENSURE FIXED FRONT PILASTER IS LEVEL.

INSTALLATION INSTRUCTIONS

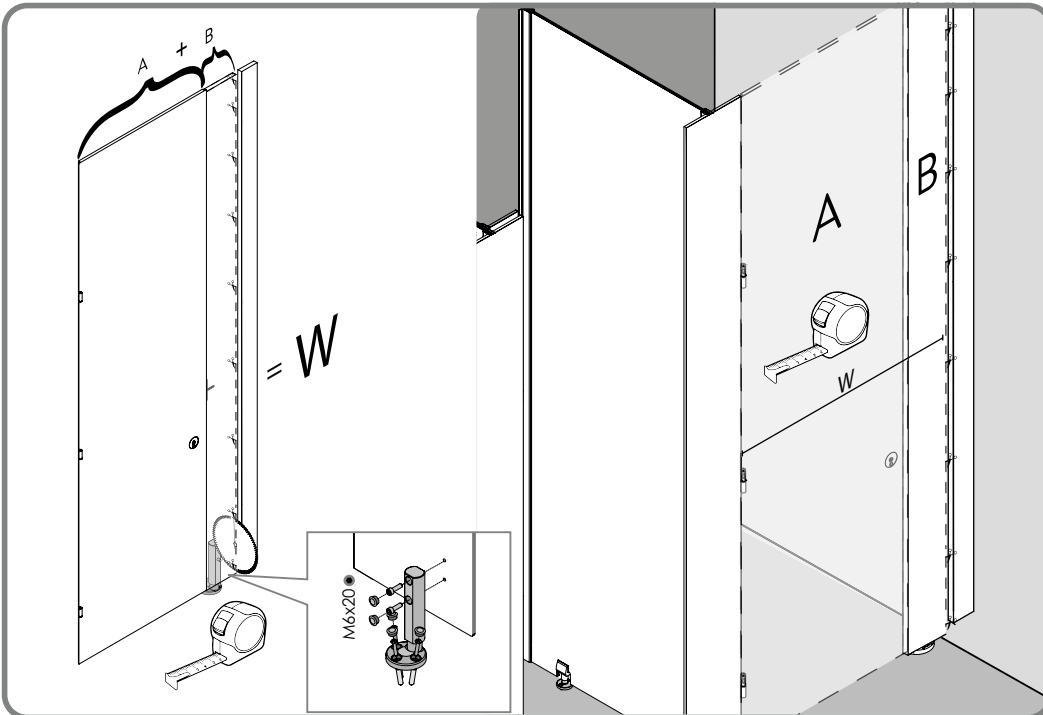
NOTES

Check all drawings



STEP 11

FASTEN L CHANNEL TO WALL.



STEP 12

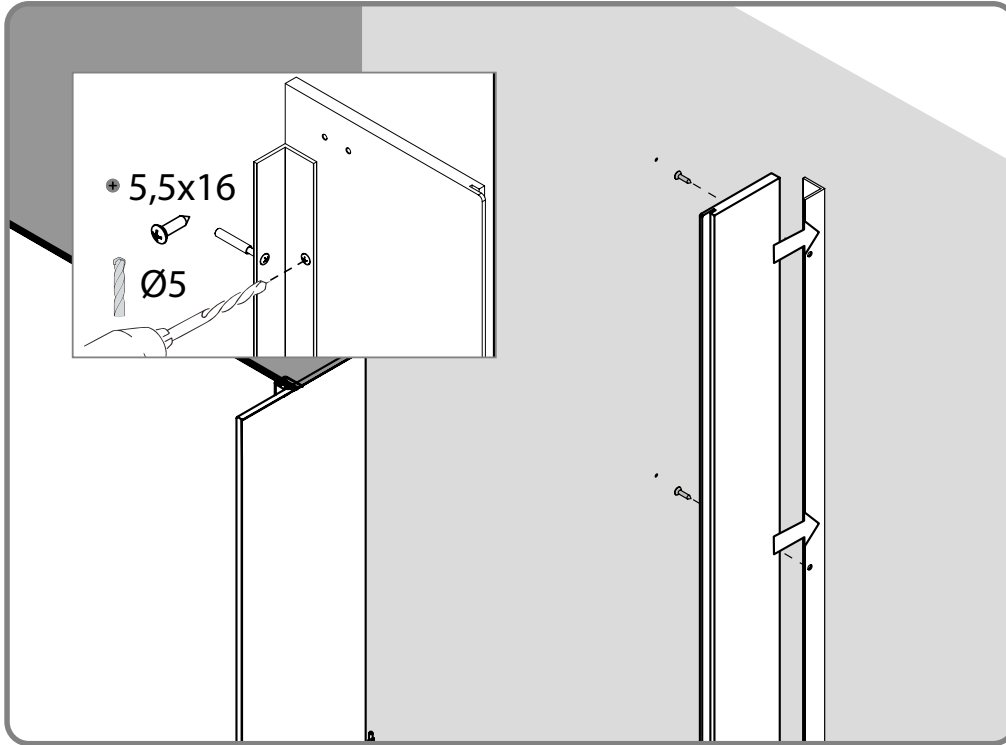
BACK FASTEN SUPPORT LEG TO FRONT PILASTER PANEL.

ALIGN TO DOOR AND WALL L-CHANNEL.

INSTALLATION INSTRUCTIONS

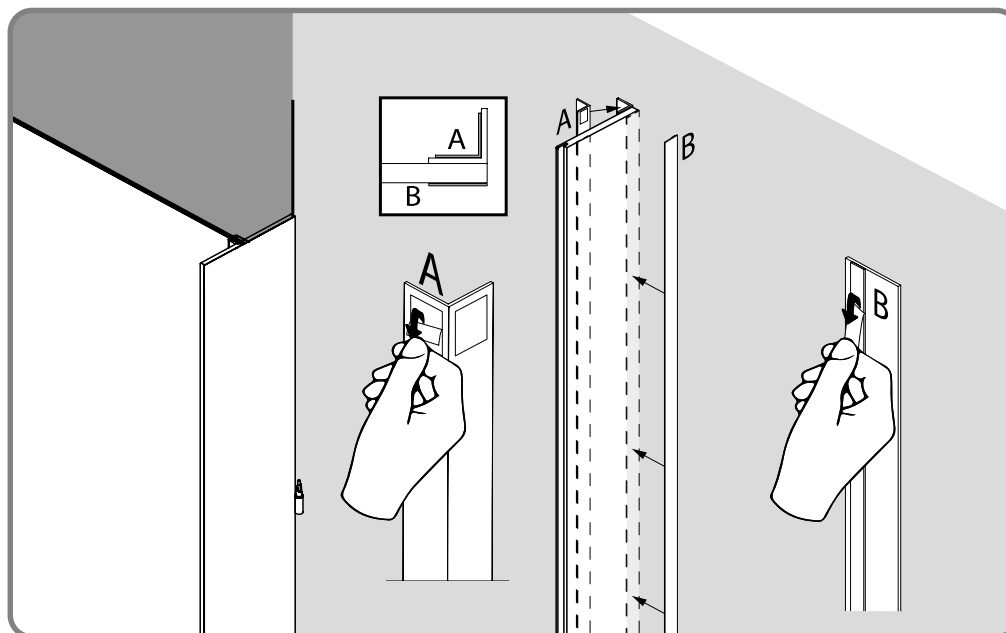
NOTES

Check all drawings



STEP 13

FASTEN FIXED FRONT
PILASTER TO WALL CHANNEL.



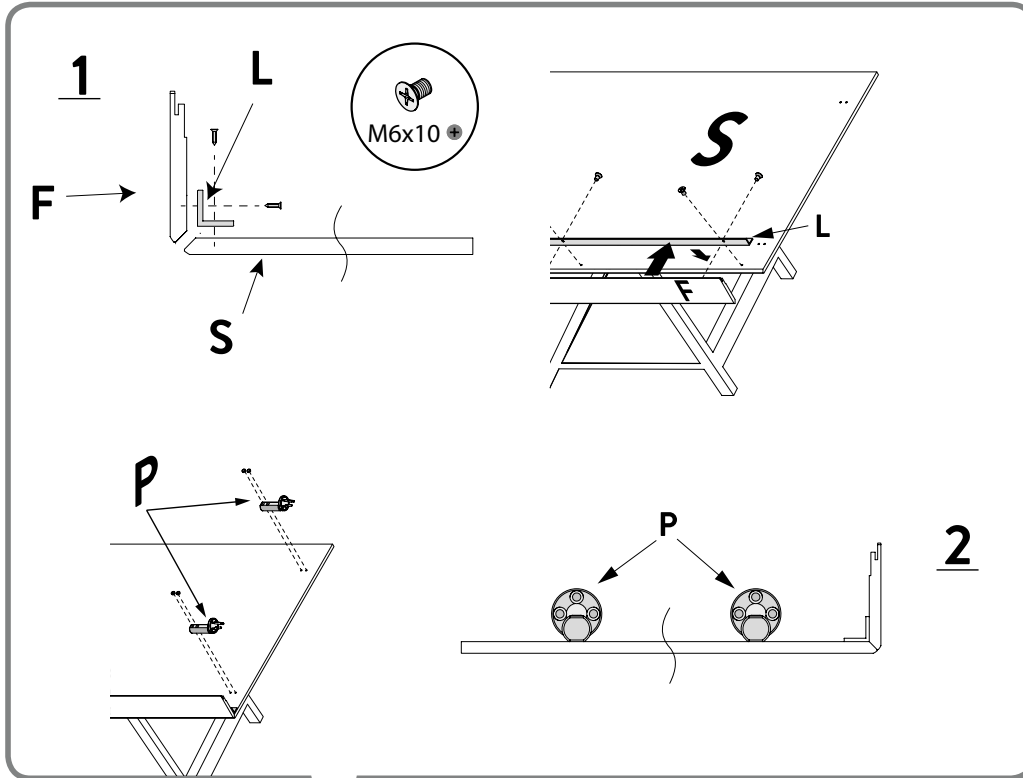
STEP 14

APPLY VHB TAPE THAT IS
MANUFACTURERE APPROVED.

INSTALLATION INSTRUCTIONS

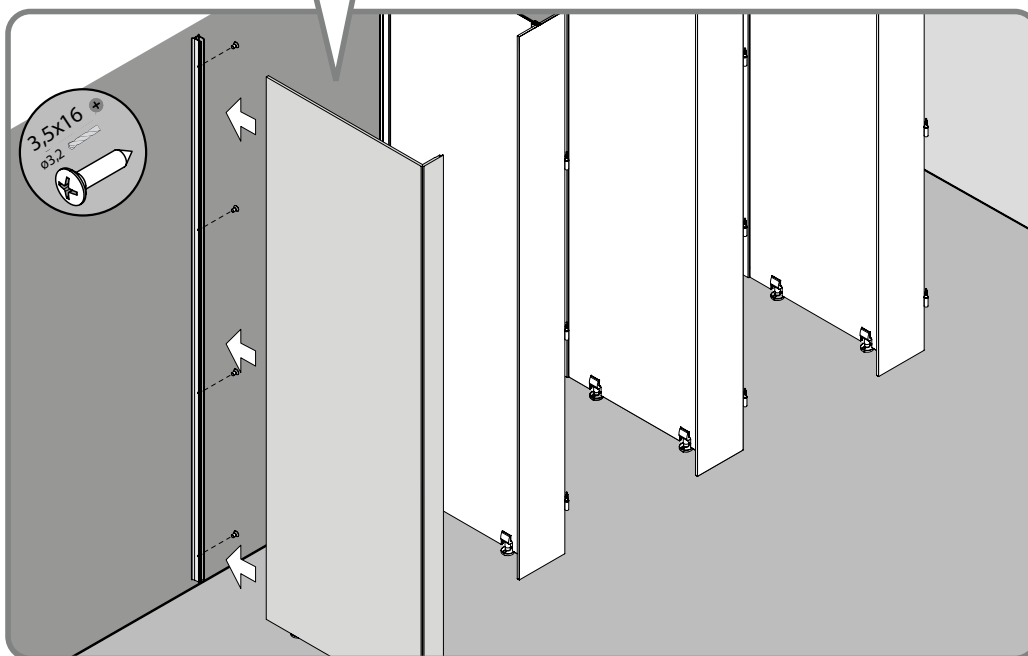
NOTES

Check all drawings



STEP 15

FOR CORNERS WHERE FIXED FRONT PILASTER MEETS DIVIDER, INSTALL L-BRACKET CORNER PROFILE. ATTACH BACK FASTENED SUPPORT LEGS AFTER.



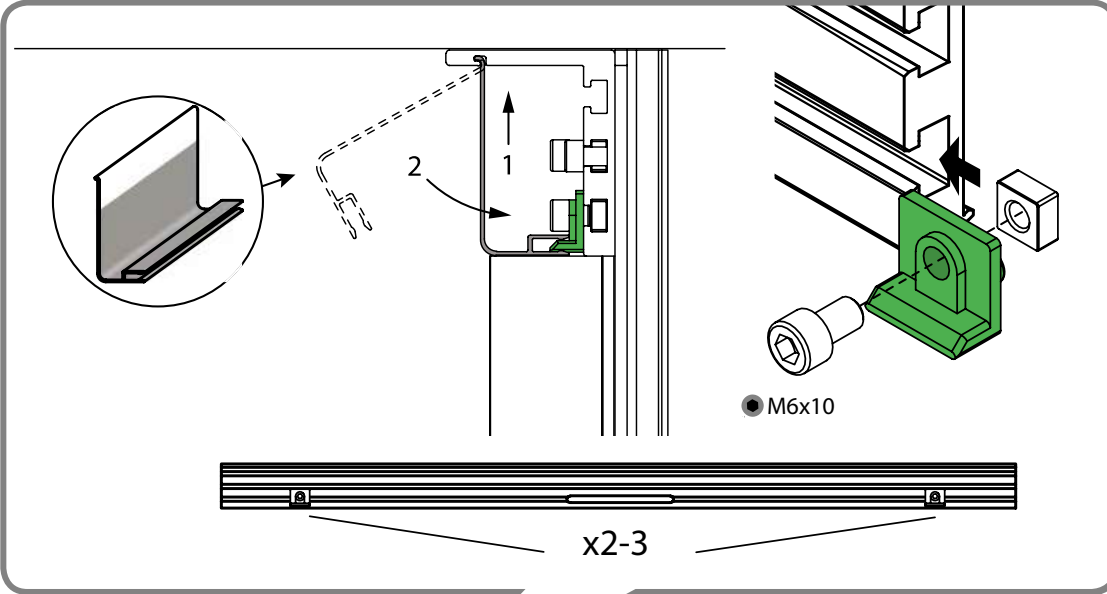
STEP 16

POSITION THE COMBINED DIVIDER PANEL AND FIXED FRONT PILASTER INTO THE WALL CHANNEL.

INSTALLATION INSTRUCTIONS

NOTES

Check all drawings

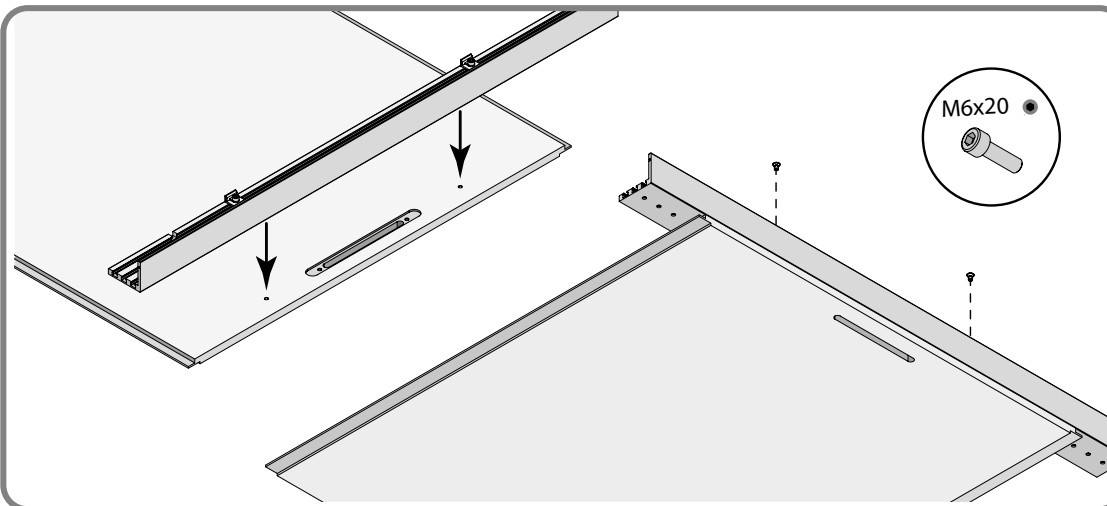
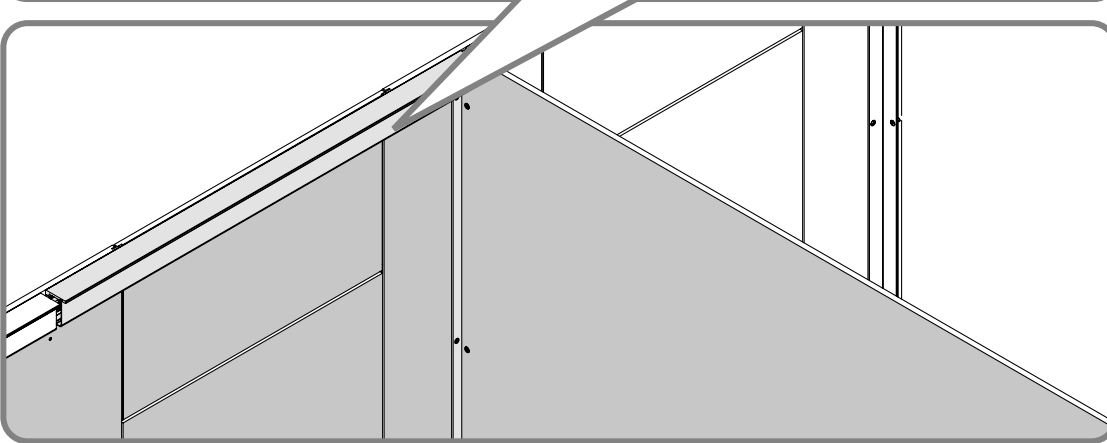


STEP 17

FASTEN HEADER TO BACK OF FIXED TRANSOM PANEL.

SLIDE FASCIA FASTENING COMPONENT INTO BACK OF HEADER. TYPICALLY 2 PER EACH OPENING.

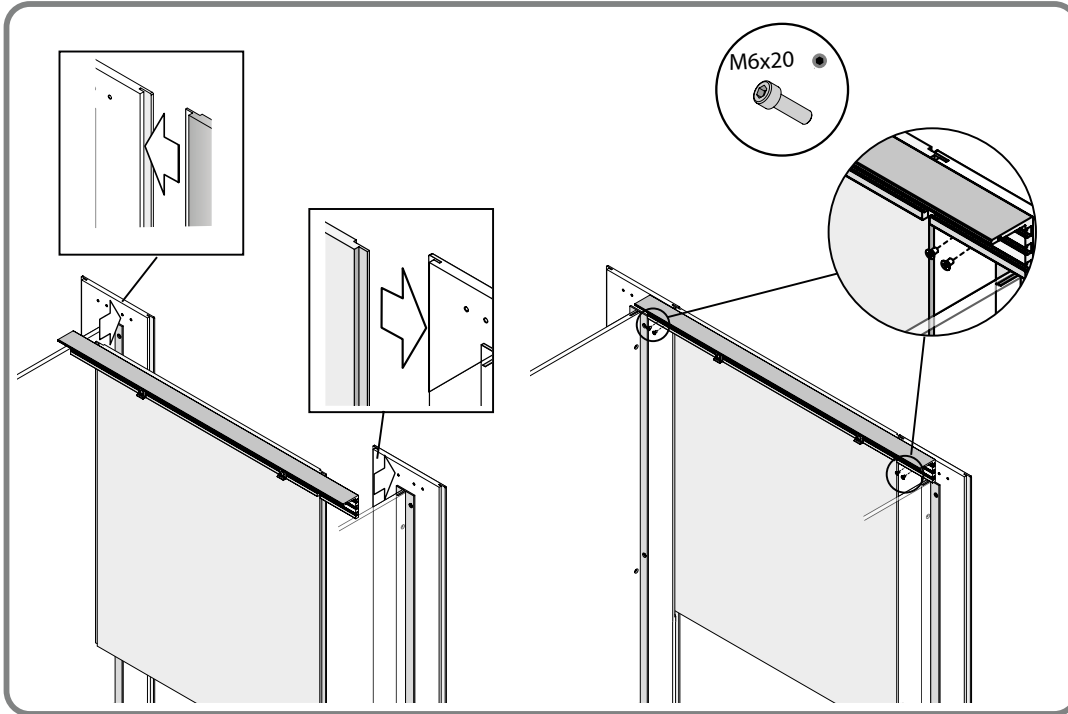
SNAP ON FASCIA.



INSTALLATION INSTRUCTIONS

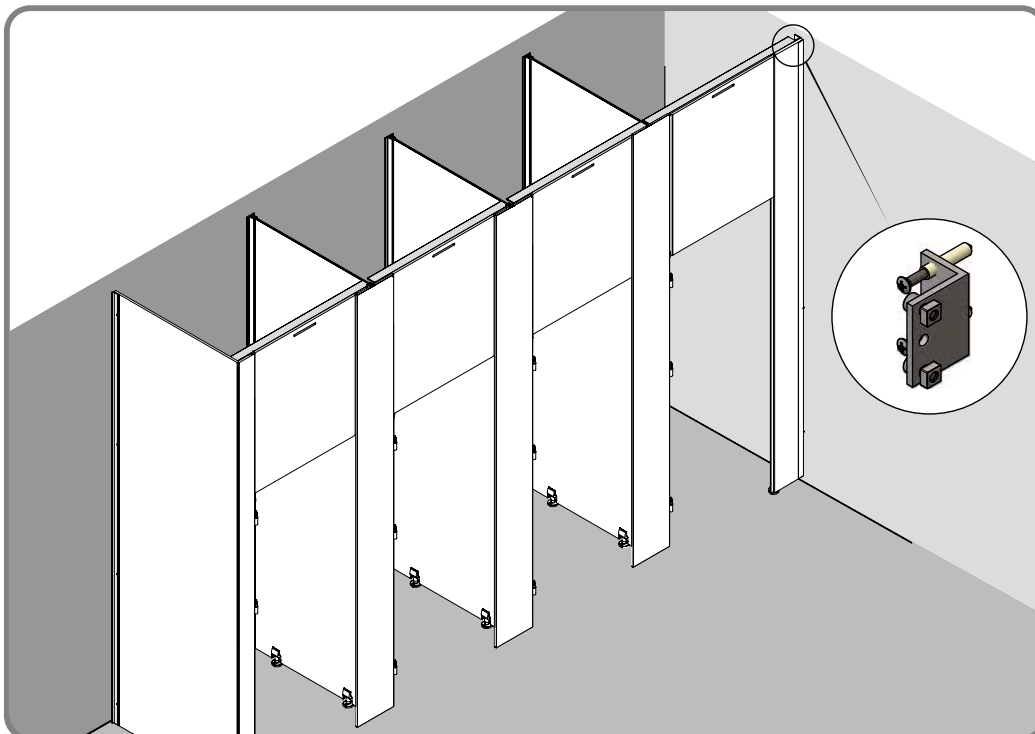
NOTES

Check all drawings



STEP 18

- + FASTEN FIXED TRANSOM WITH ATTACHED HEADER TO BACK OF FIXED PILASTER PANEL.



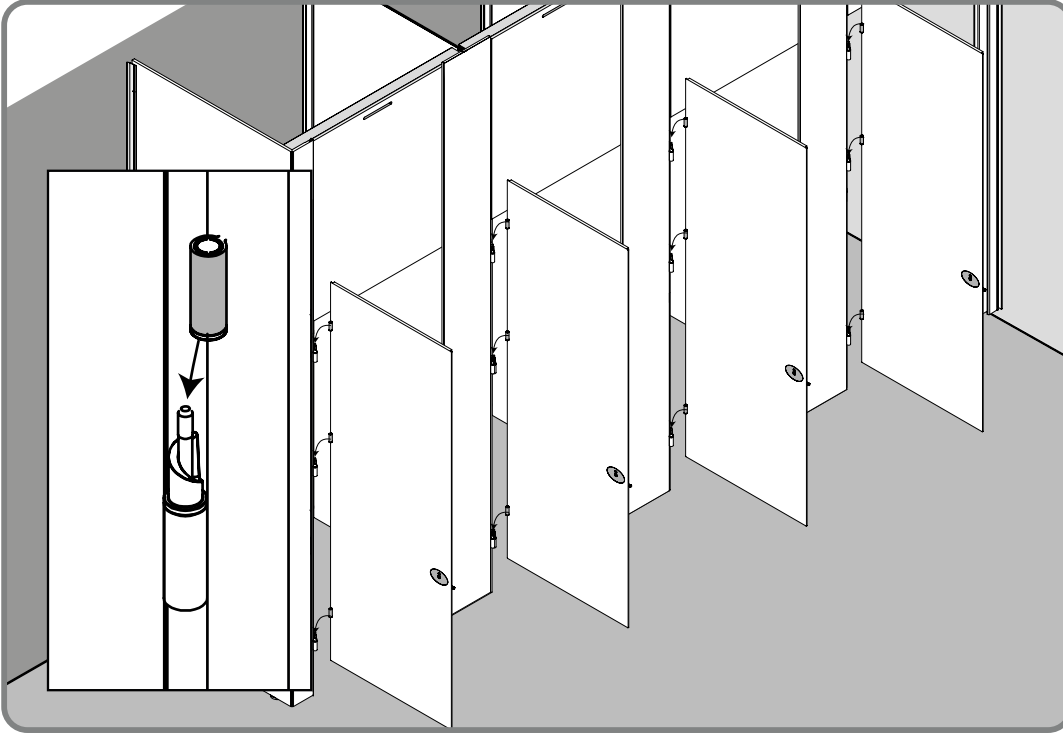
STEP 19

- + USE L-BRACKET TO FASTEN HEADER TO WALL.

INSTALLATION INSTRUCTIONS

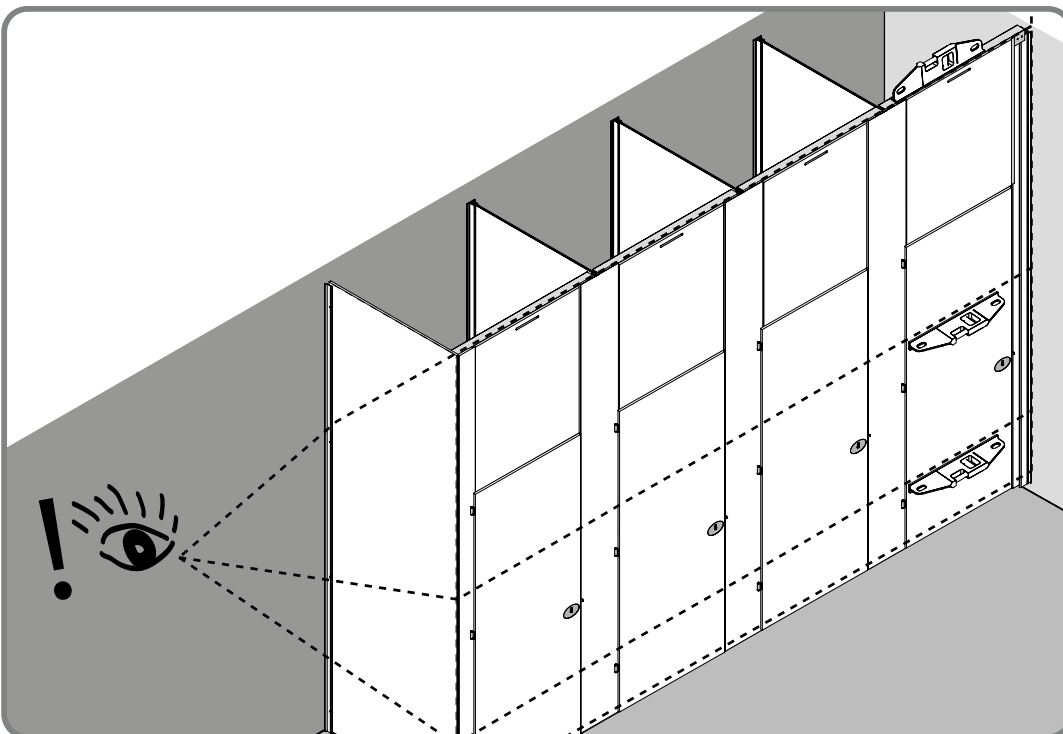
NOTES

Check all drawings



STEP 20

- + PLACE ASSEMBLED DOOR PANEL ONTO FIXED FRONT PILASTER PANEL.
- + INSERT GRAVITY HINGES ON DOOR PANEL TO GRAVITY HINGES ON FIXED FRONT PILASTER PANEL.



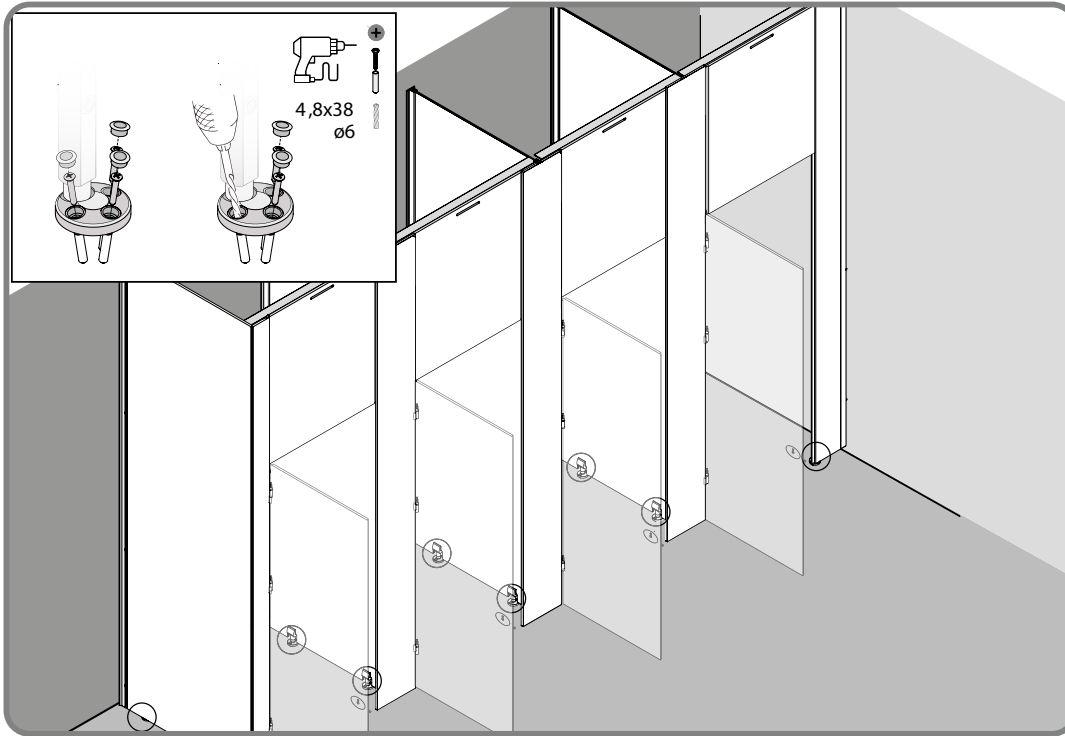
STEP 21

- + ENSURE COMPONENTS ARE LEVEL.

INSTALLATION INSTRUCTIONS

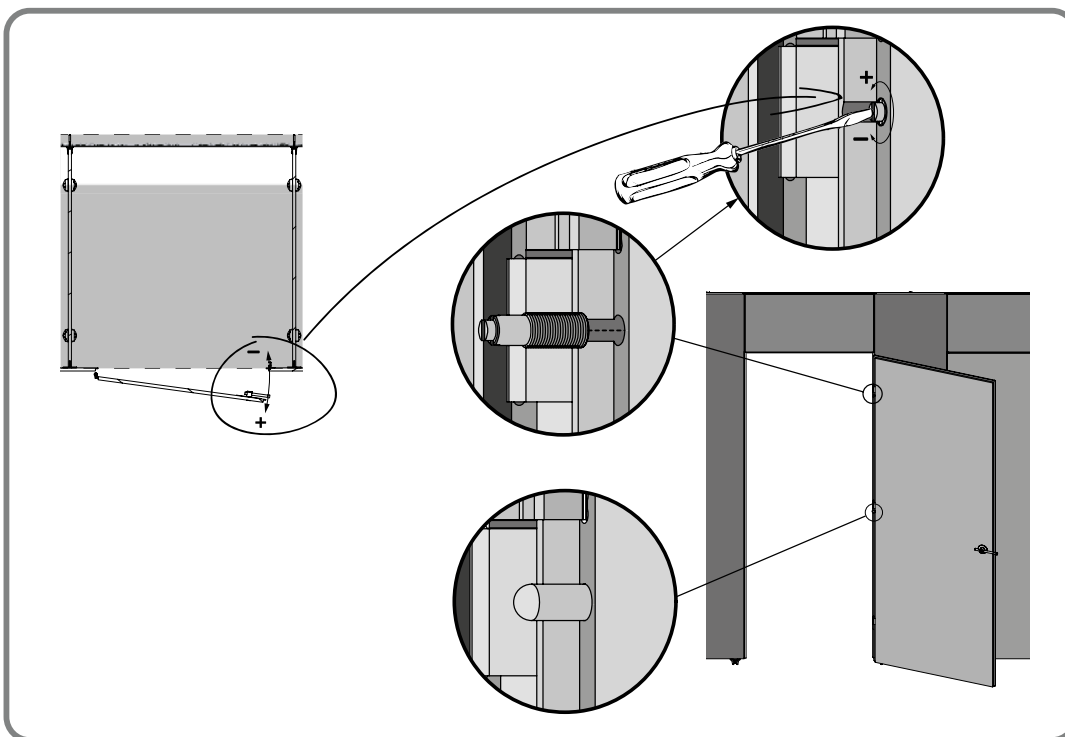
NOTES

Check all drawings



STEP 22

- + PLACE DOOR TO FLOOR
- + MAKE HEIGHT ADJUSTMENTS
- + MAKE LATERAL ADJUSTMENTS TO BASE PLATE
- + ONLY ONCE YOU ARE SATISFIED WITH ADJUSTMENTS DO YOU PROCEED TO FASTEN THE SUPPORT TO THE FLOOR.



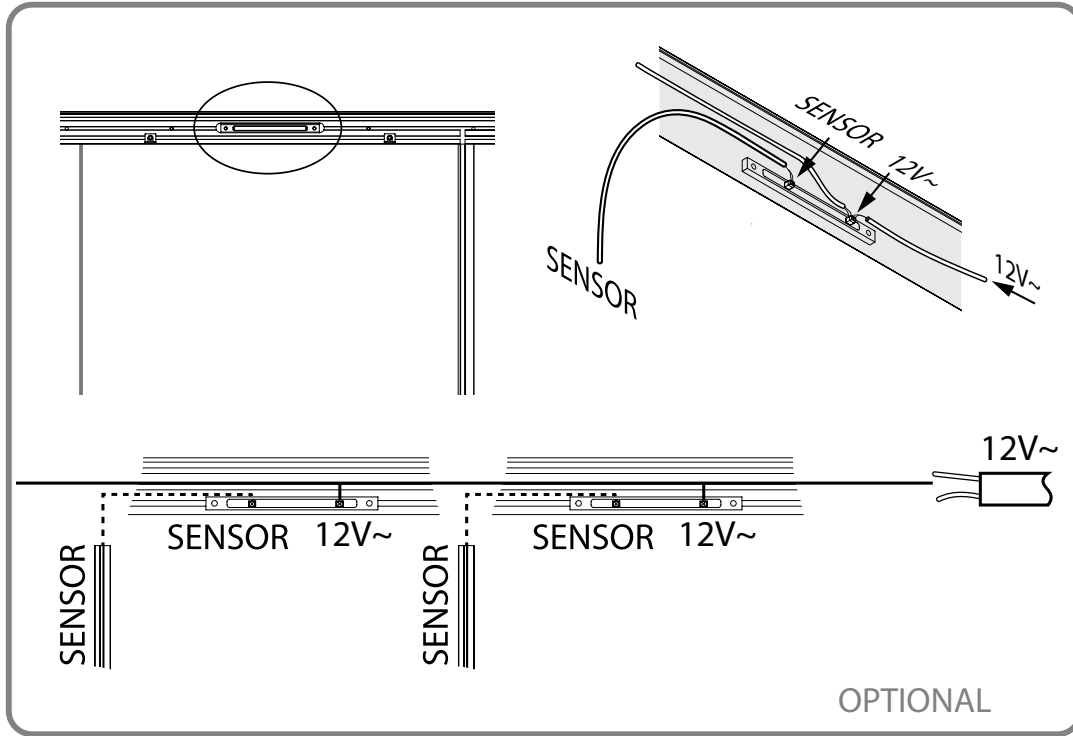
STEP 23

- + MAKE ADJUSTMENT TO HOLD OPEN WITH SCREW DRIVER.
- + ADJUST SO DOOR IS SLIGHTLY OPEN WITH CLOSED.

INSTALLATION INSTRUCTIONS

NOTES

Check all drawings



STEP 24

- + LED PRIVACY INDICATOR USES LOW VOLTAGE WIRING
- + WIRES ARE FED THROUGH THE SUPPORT HEADER

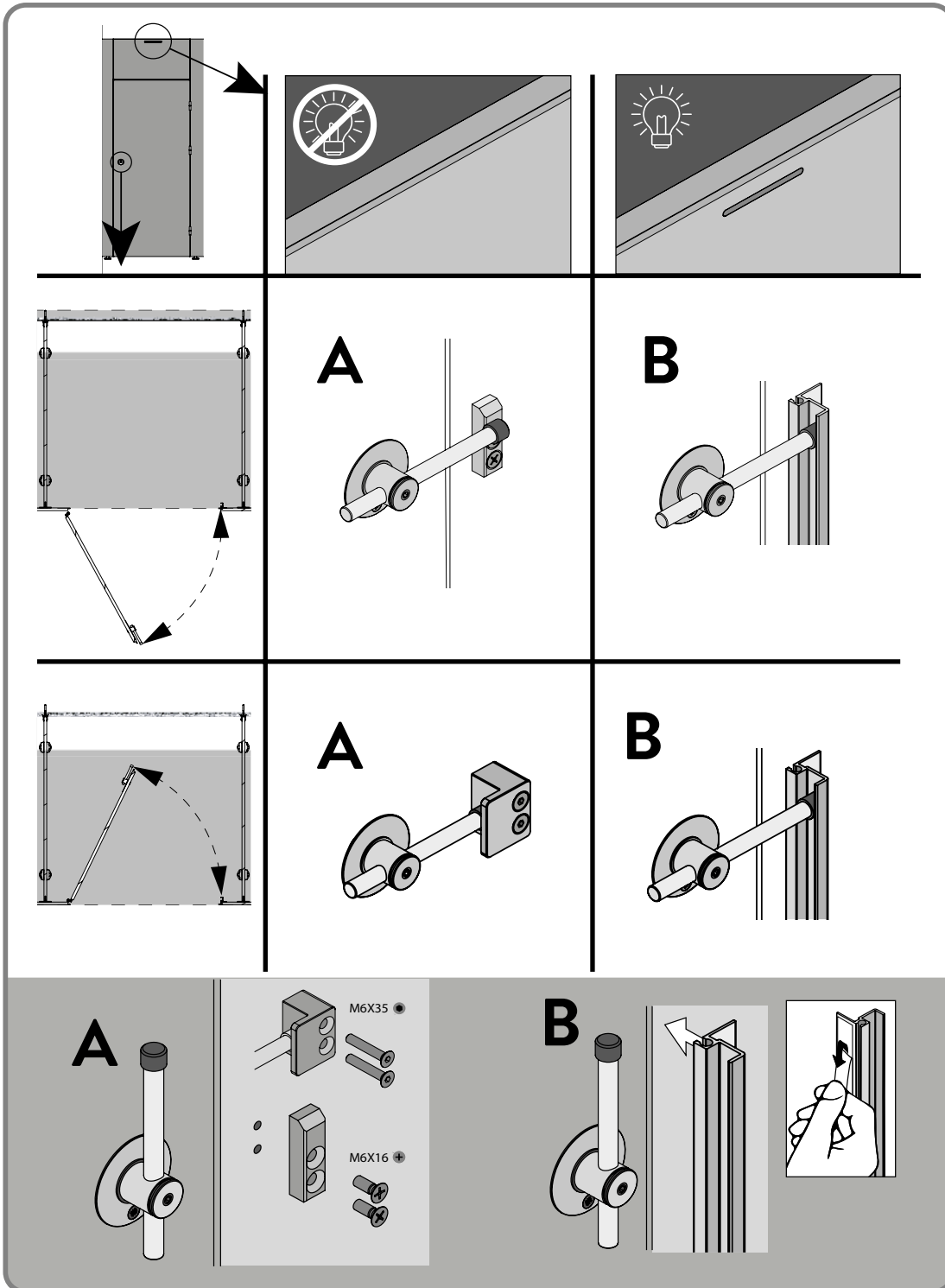
INSTALLATION INSTRUCTIONS

NOTES

Check all drawings

STEP 25

+ ENSURE WHEN LATCH IS CLOSED INDICATOR CHANGES COLOR



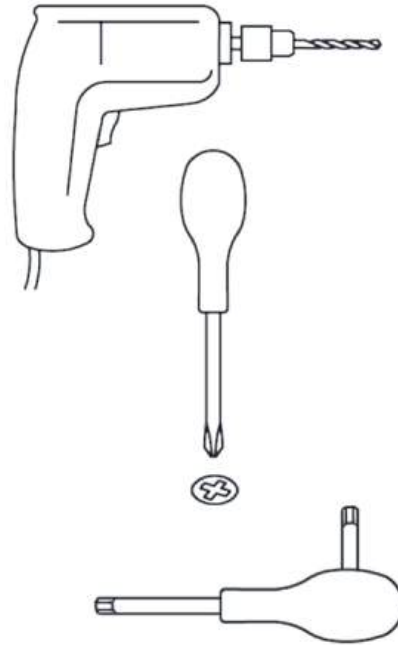
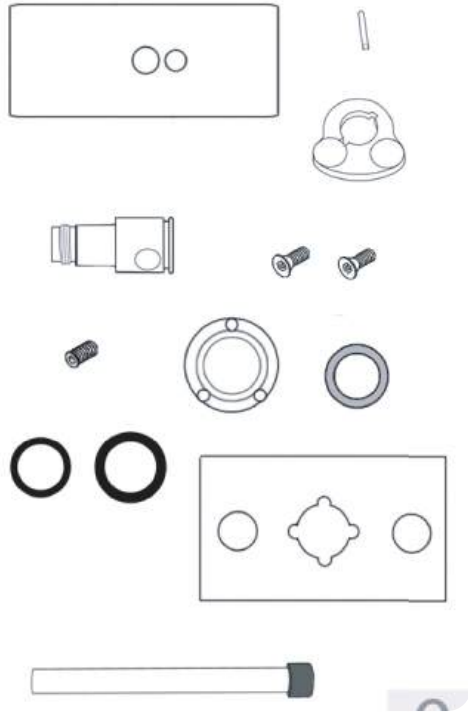
STEP 26

+ INSTALL JAMB ONTO FIXED FRONT PILASTER.

INSTALLATION INSTRUCTIONS

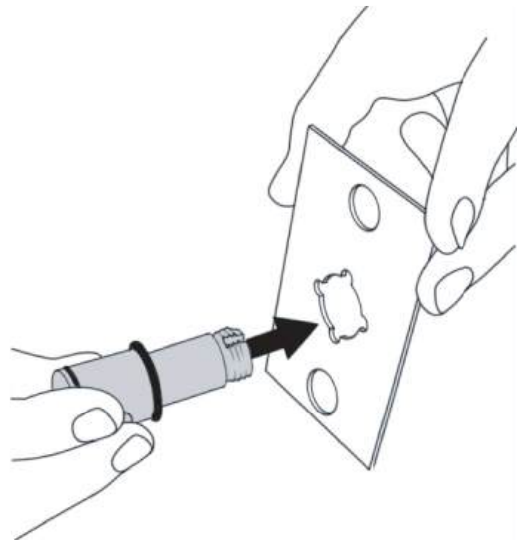
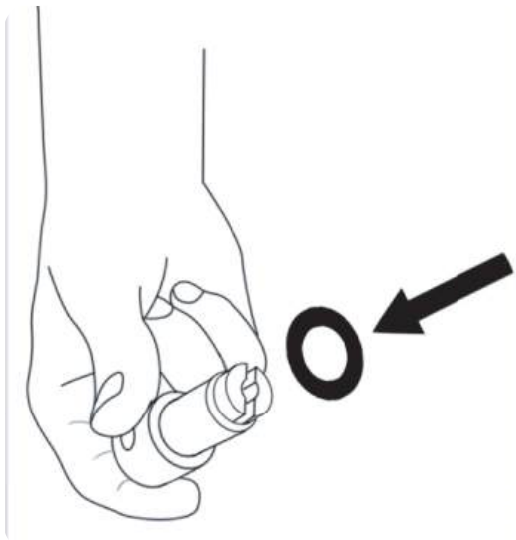
NOTES

Check all drawings



STEP 27

+ **DOUBLE CHECK YOU HAVE ALL LATCH COMPONENTS AND TOOLS**



STEP 28

+ **INSERT CIRCULAR CAP AND PLACE INTO PLASTER PLATE.**

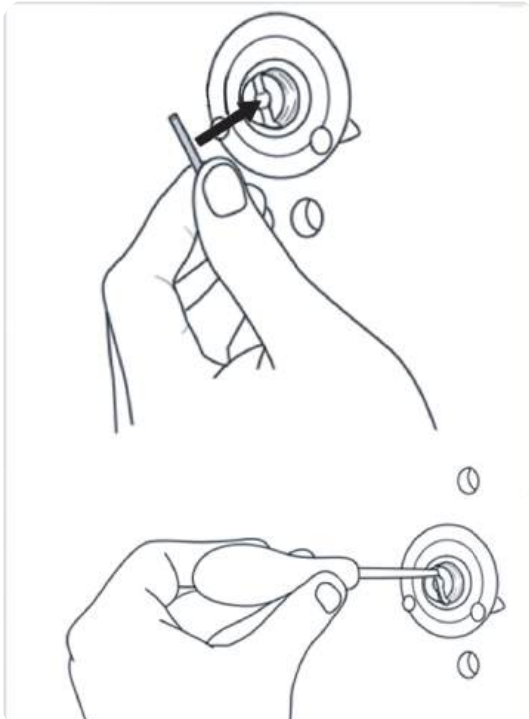
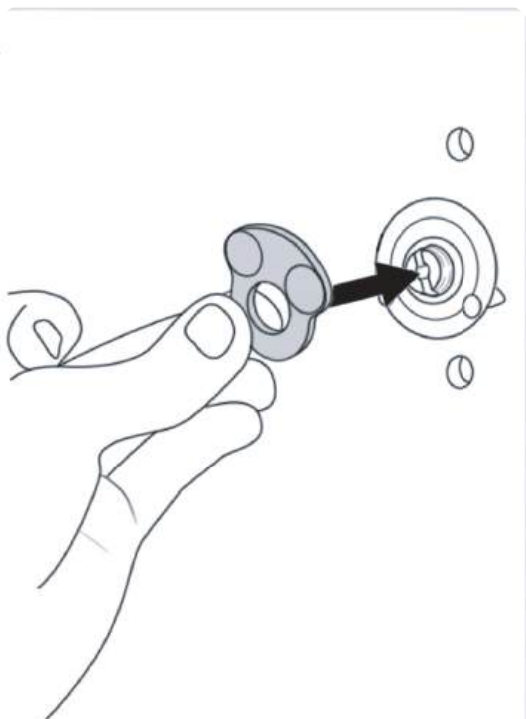
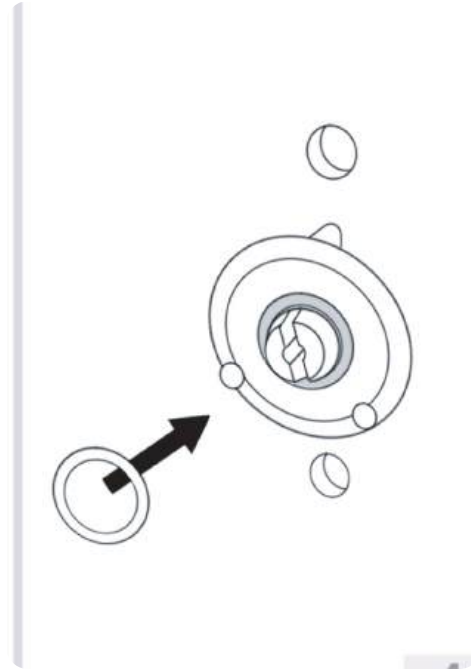
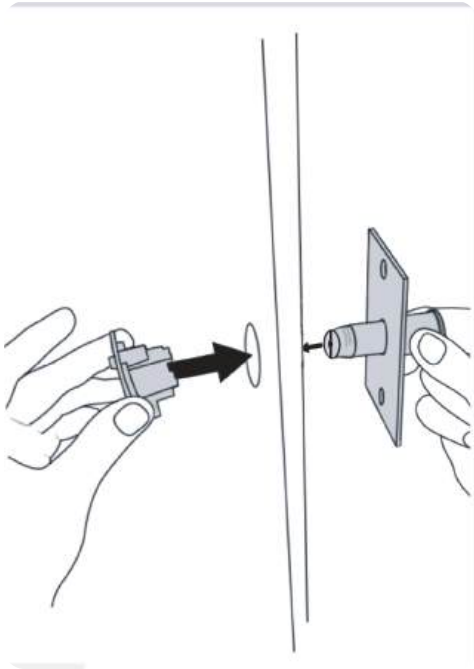
INSTALLATION INSTRUCTIONS

NOTES

Check all drawings

STEP 29

+ ASSEMBLE SELECTED
DOOR HARDWARE ON
DOOR PANEL



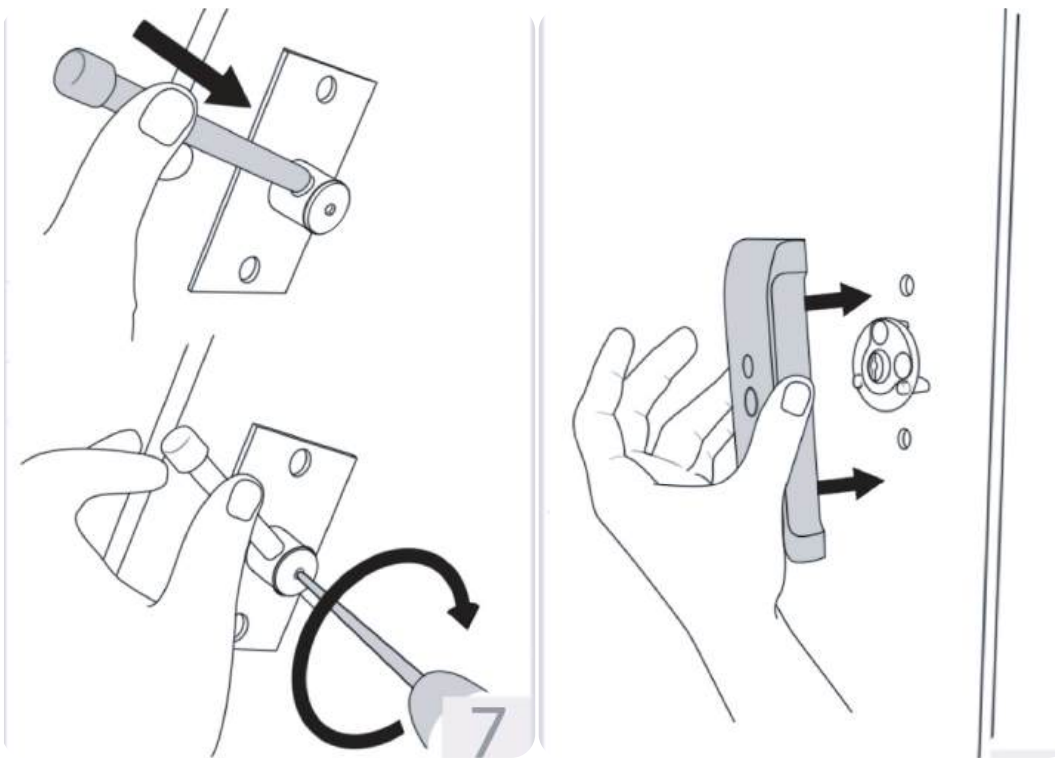
STEP 30

+ ASSEMBLE SELECTED
DOOR HARDWARE ON
DOOR PANEL

INSTALLATION INSTRUCTIONS

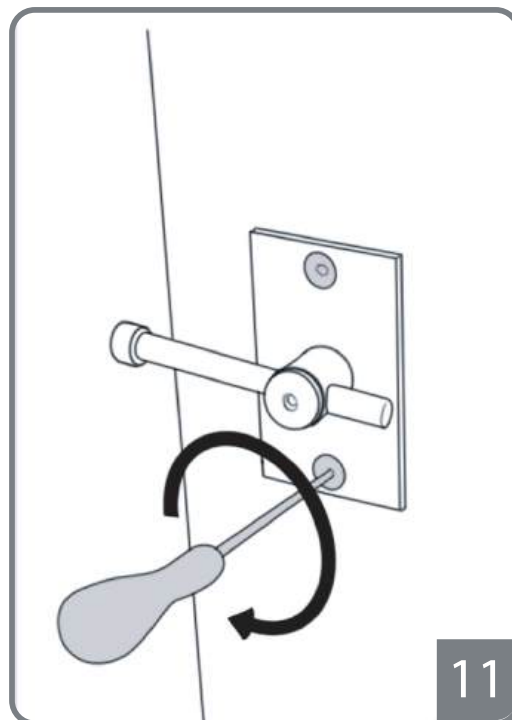
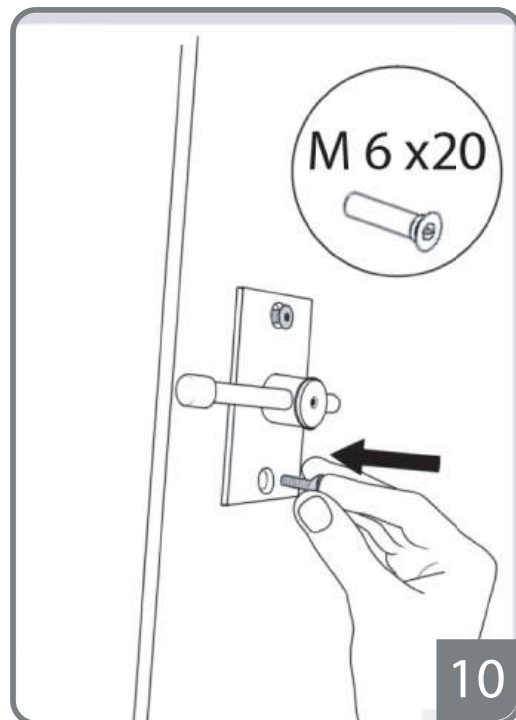
NOTES

Check all drawings



STEP 31

- + ASSEMBLE SELECTED DOOR HARDWARE ON DOOR PANEL



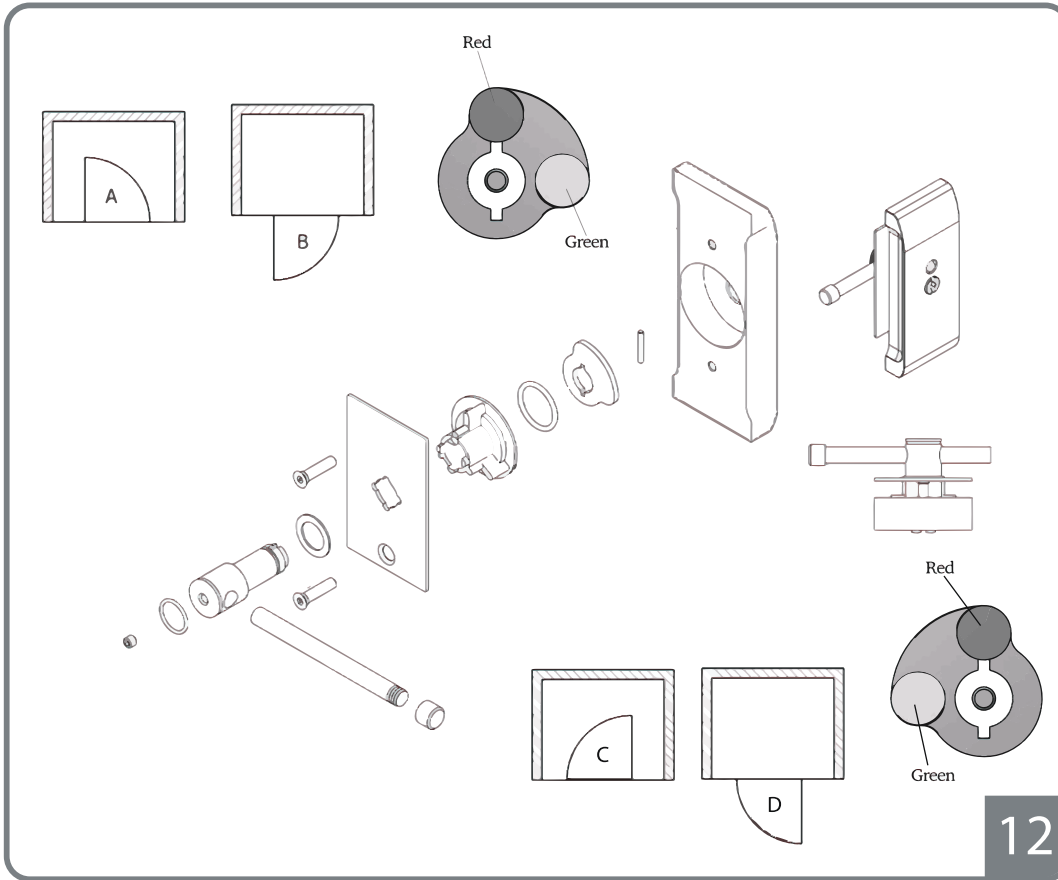
STEP 32

- + ASSEMBLE SELECTED DOOR HARDWARE ON DOOR PANEL

INSTALLATION INSTRUCTIONS

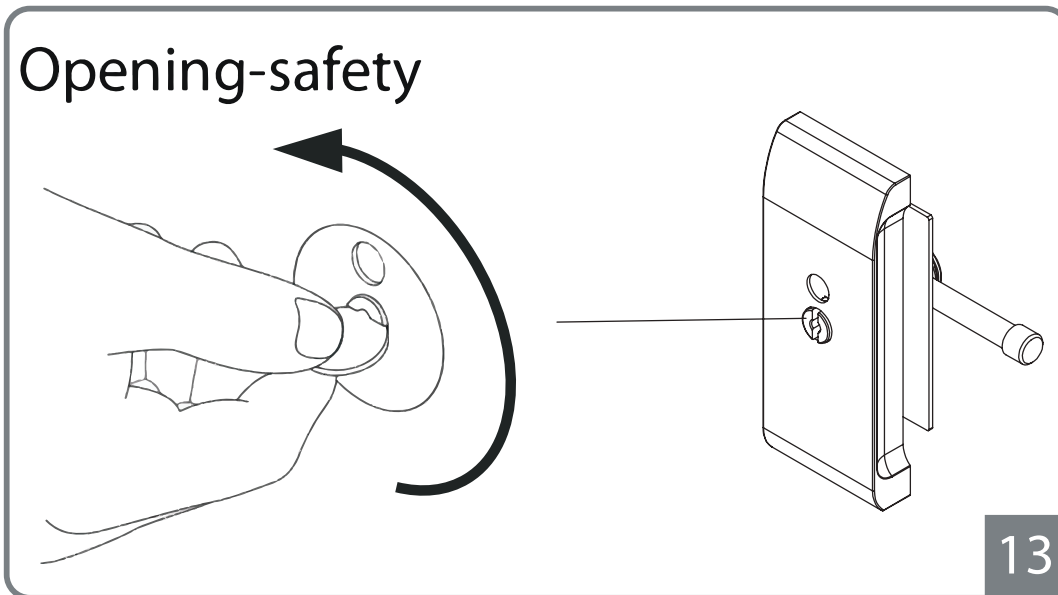
NOTES

Check all drawings



STEP 33

+ ASSEMBLE SELECTED DOOR HARDWARE ON DOOR PANEL



STEP 34

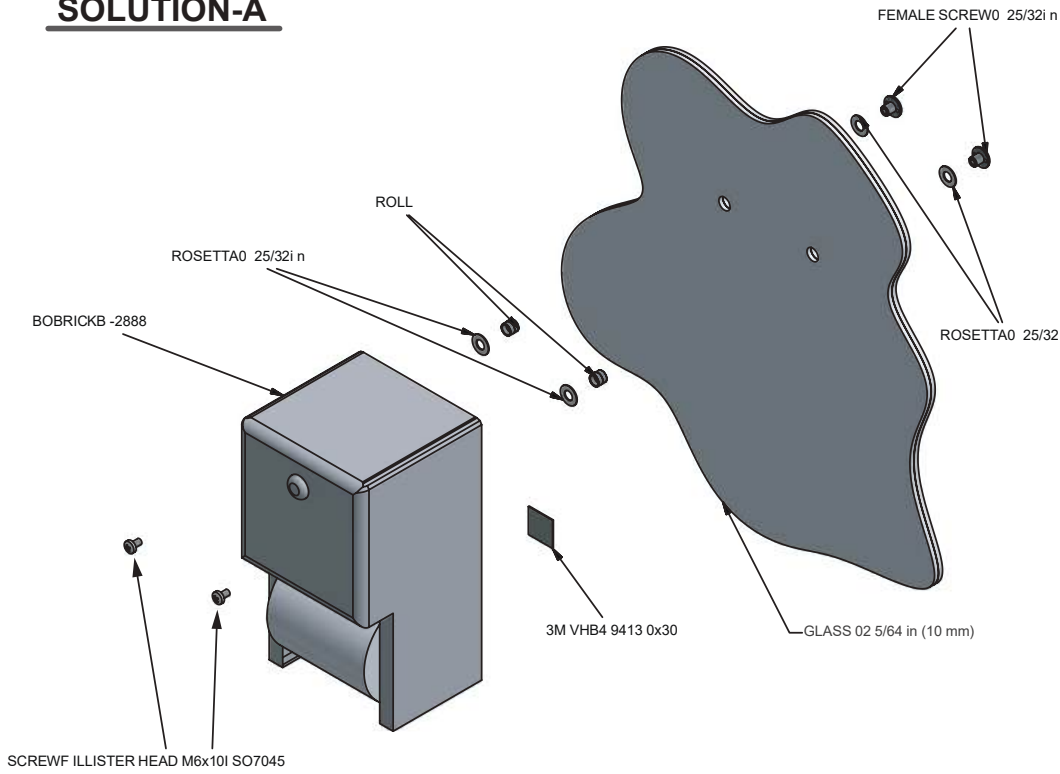
+ ASSEMBLE SELECTED DOOR HARDWARE ON DOOR PANEL

PRE-APPROVED 3RD PARTY ACCESSORIES

NOTES

Check all drawings

SOLUTION-A



EXAMPLE 1

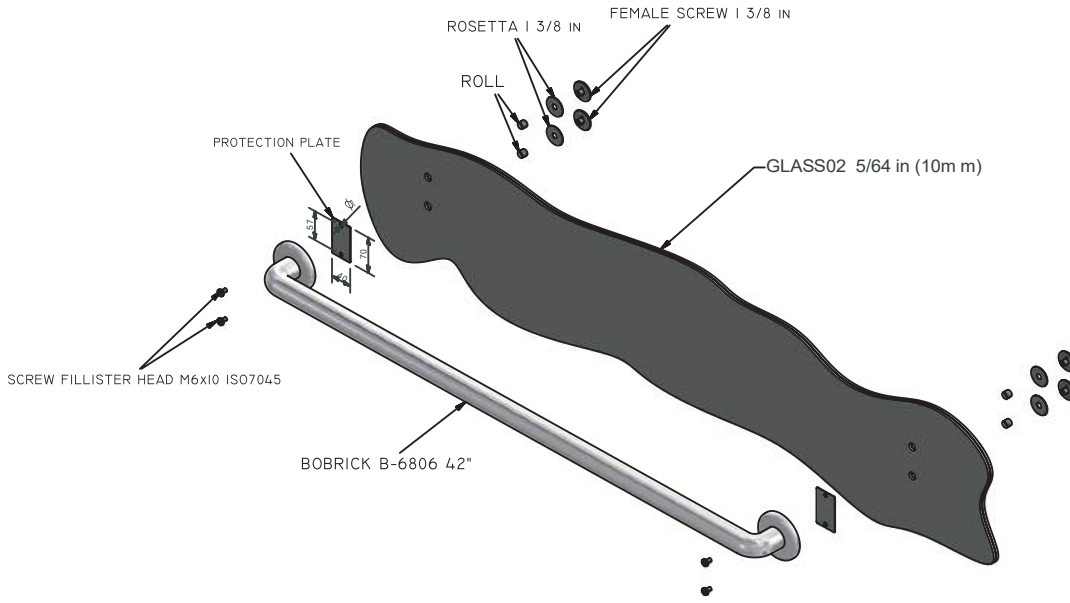
+ ASSEMBLE PRE-APPROVED 3RD PARTY ACCESSORY.

PRE-APPROVED 3RD PARTY ACCESSORIES

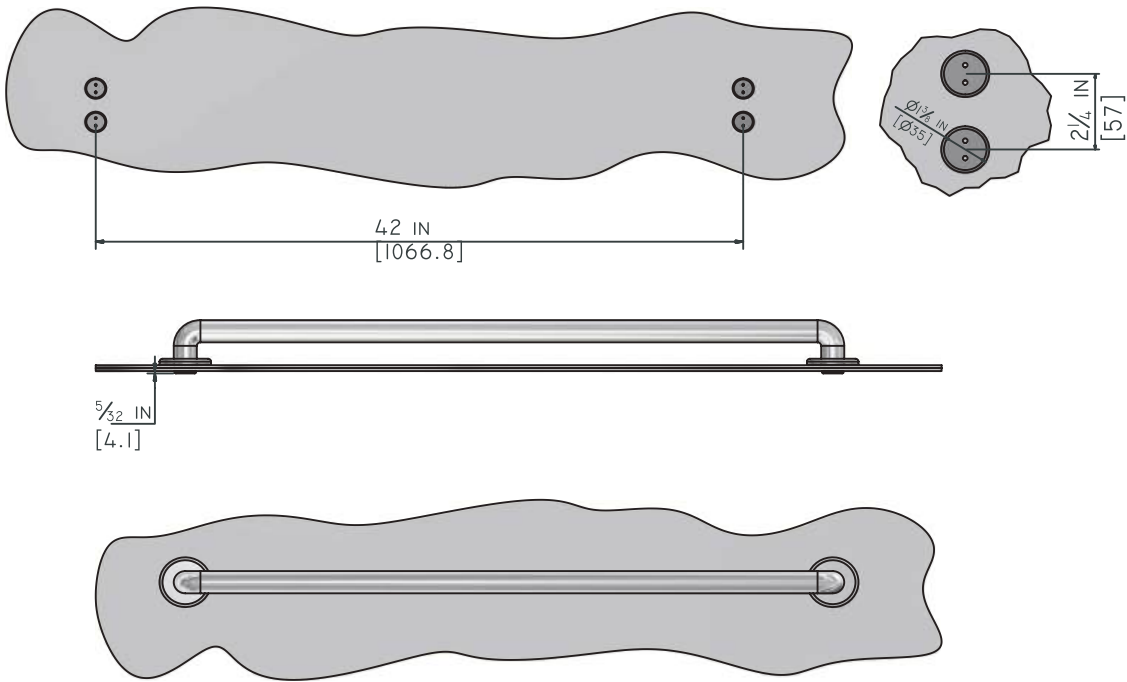
NOTES

Check all drawings

GRAB-BAR SOLUTION



THEO PPOSITES IDEO FT HE DIVISION



COLOUR GLASS 21

EXAMPLE 2

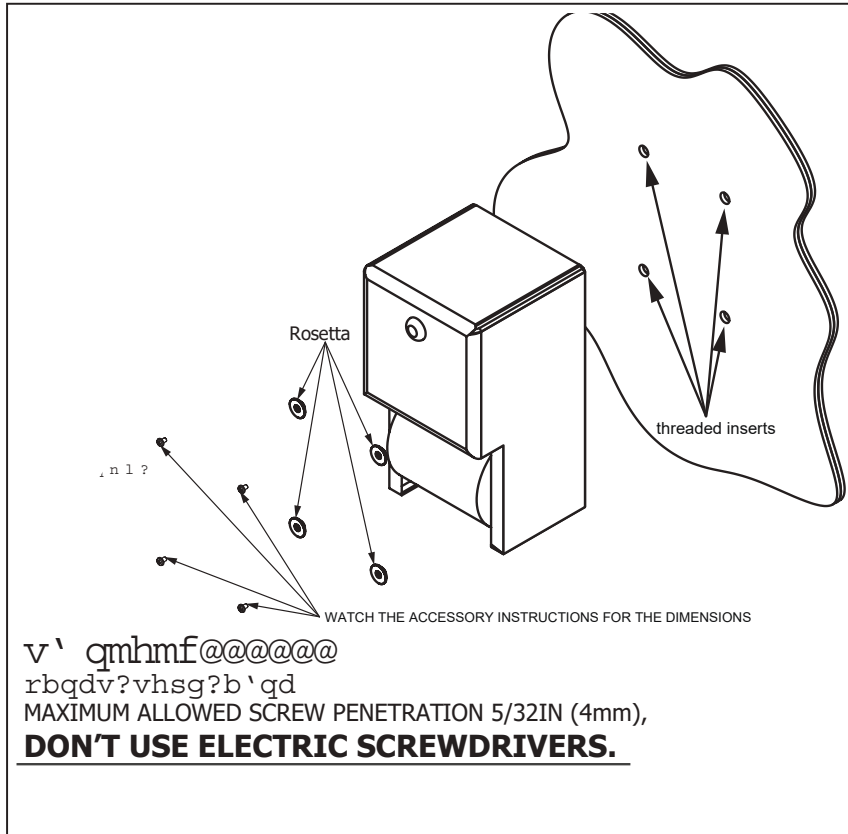
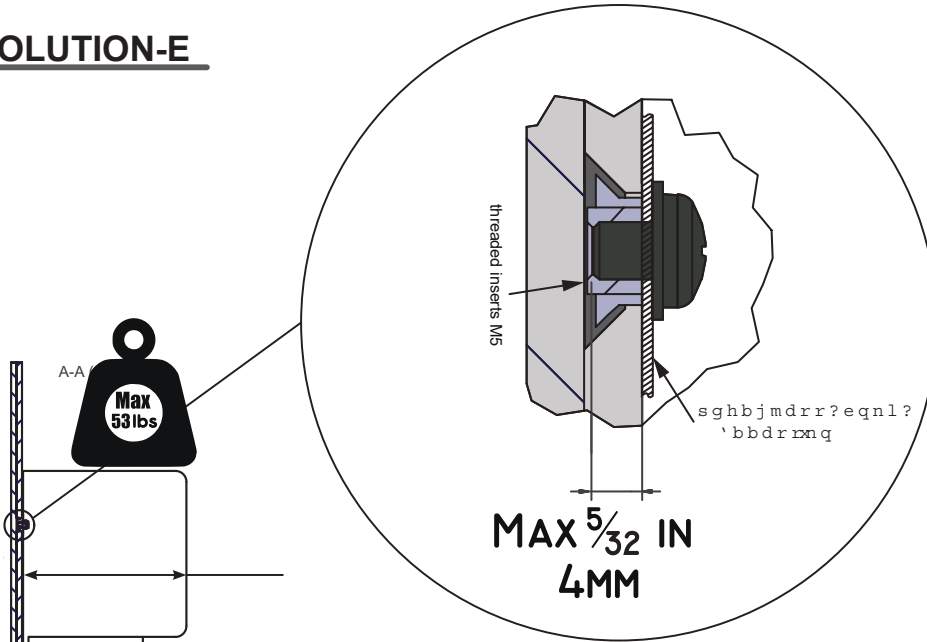
+ ASSEMBLE PRE-APPROVED 3RD PARTY ACCESSORY.

PRE-APPROVED 3RD PARTY ACCESSORIES

NOTES

Check all drawings

SOLUTION-E



EXAMPLE 3

+ ASSEMBLE PRE-APPROVED 3RD PARTY ACCESSORY.

COLOUR GLASS 2 0