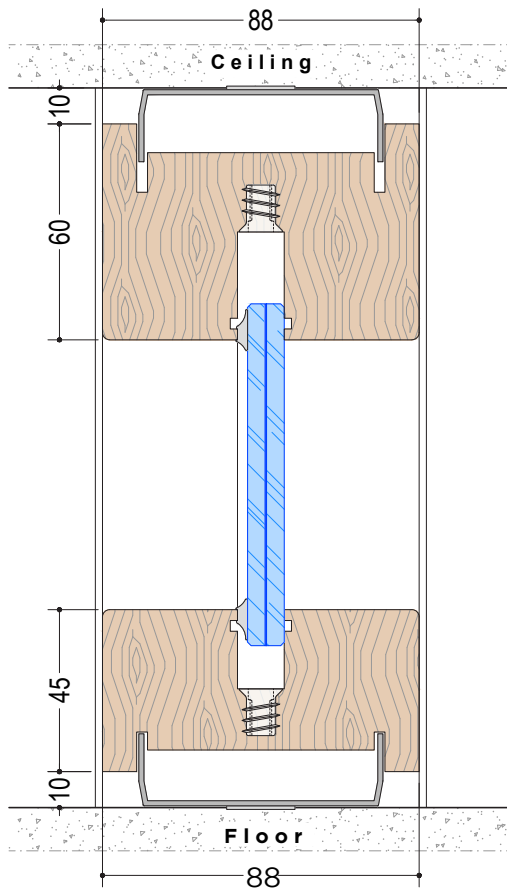
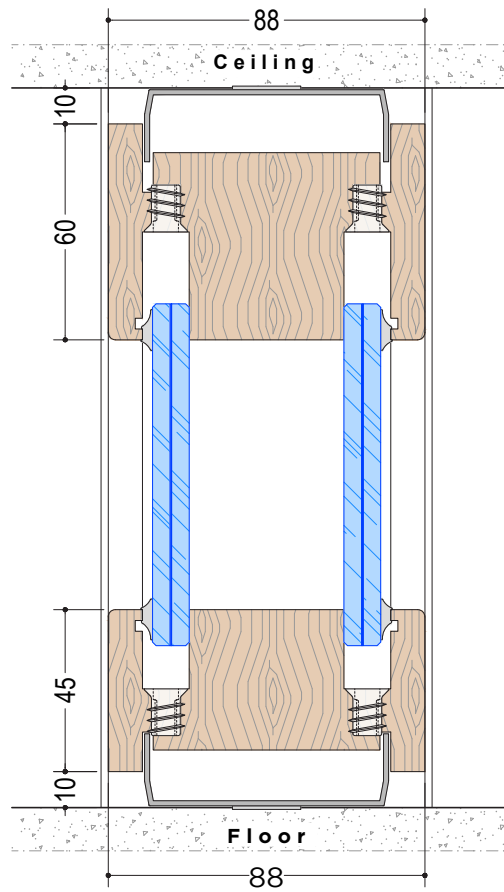




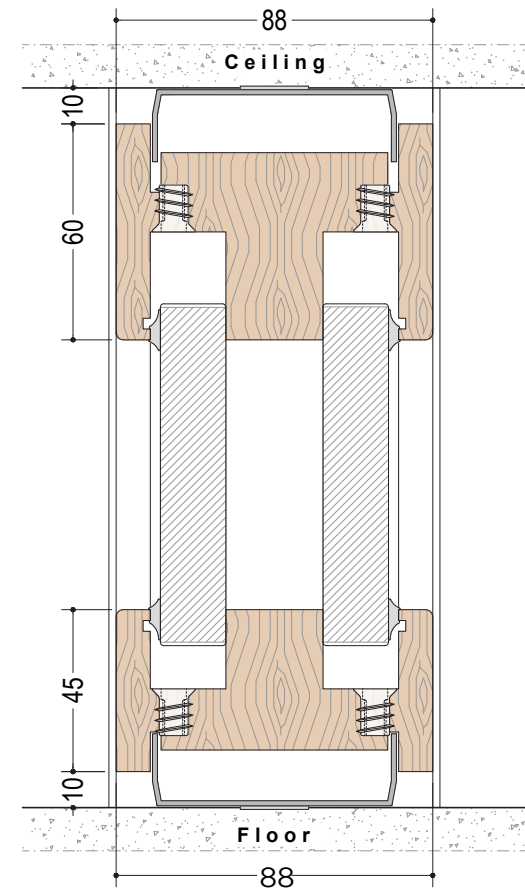
RITMICA WOOD ASSEMBLY INSTRUCTIONS



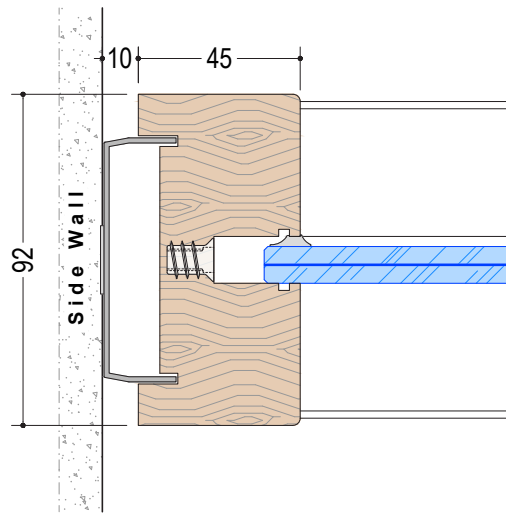
Ritmica Wood D1
(Single glazed)
Vertical section



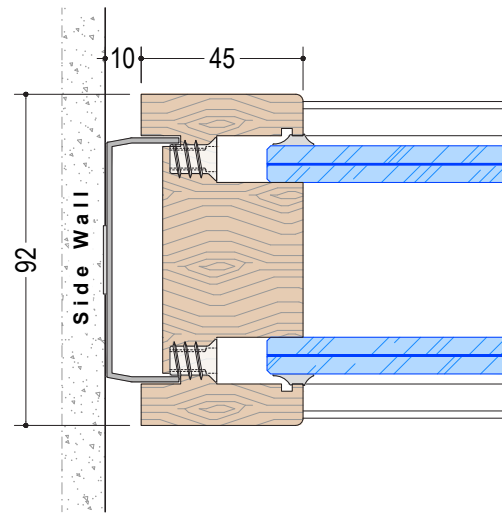
Ritmica Wood D2
(double glazed)
Vertical section



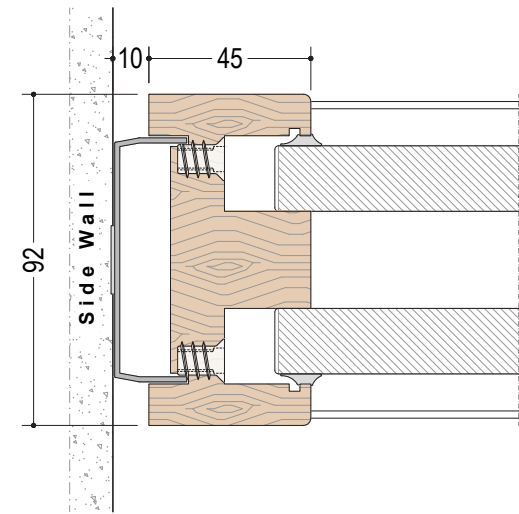
Ritmica Wood
Solid
Vertical section



Ritmica Wood D1
(Single glazed)
Horizontal section

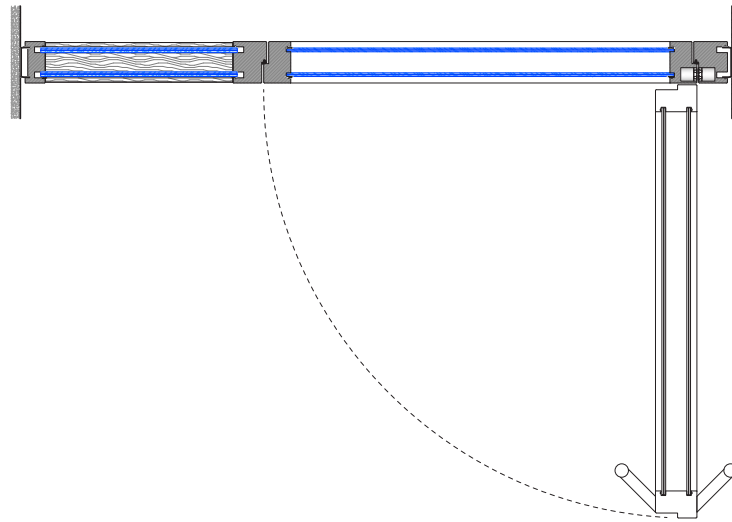


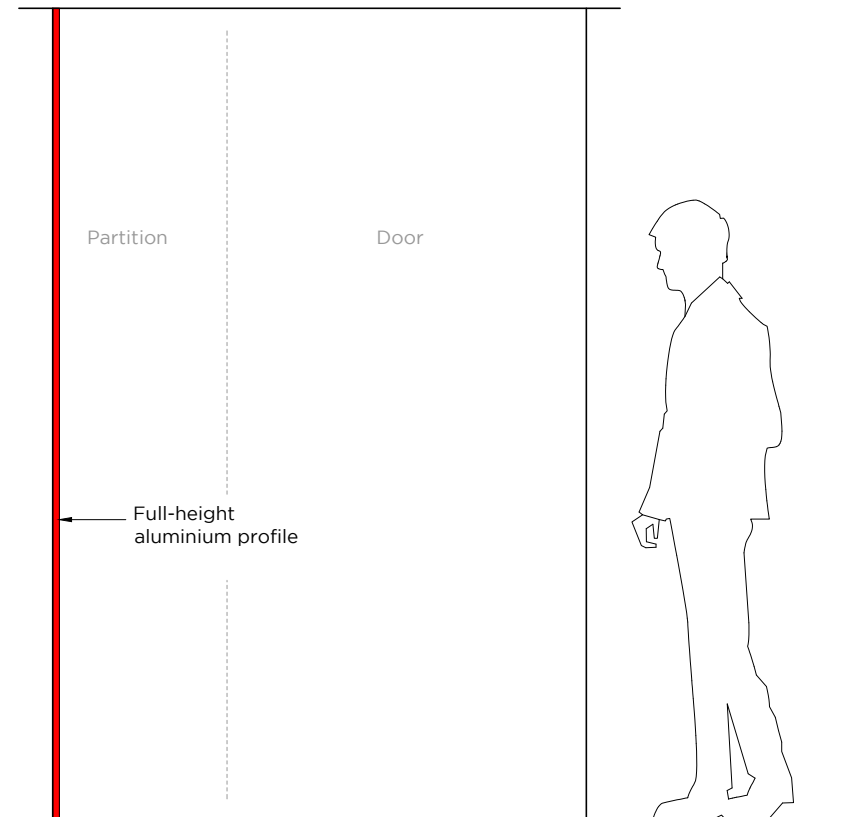
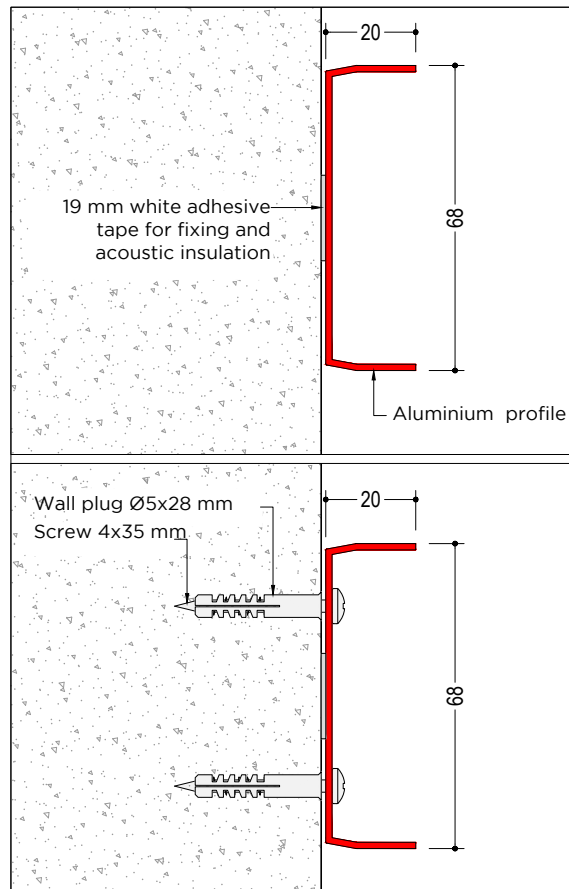
Ritmica Wood D2
(double glazed)
Horizontal section



Ritmica Wood Solid
Horizontal section

**Example composition
with SINGLE partition module and door**

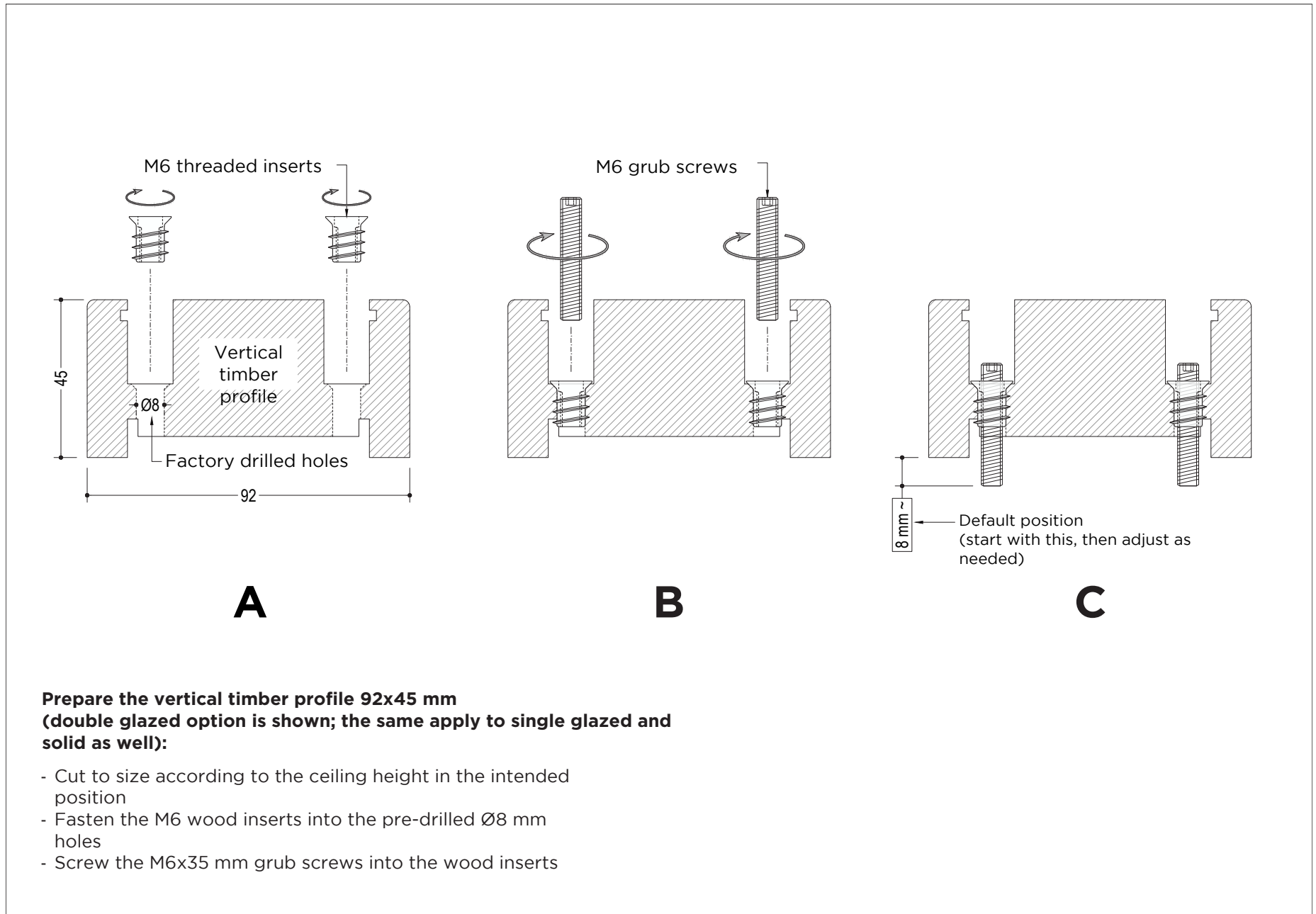




Prepare the vertical aluminium "U" profile:

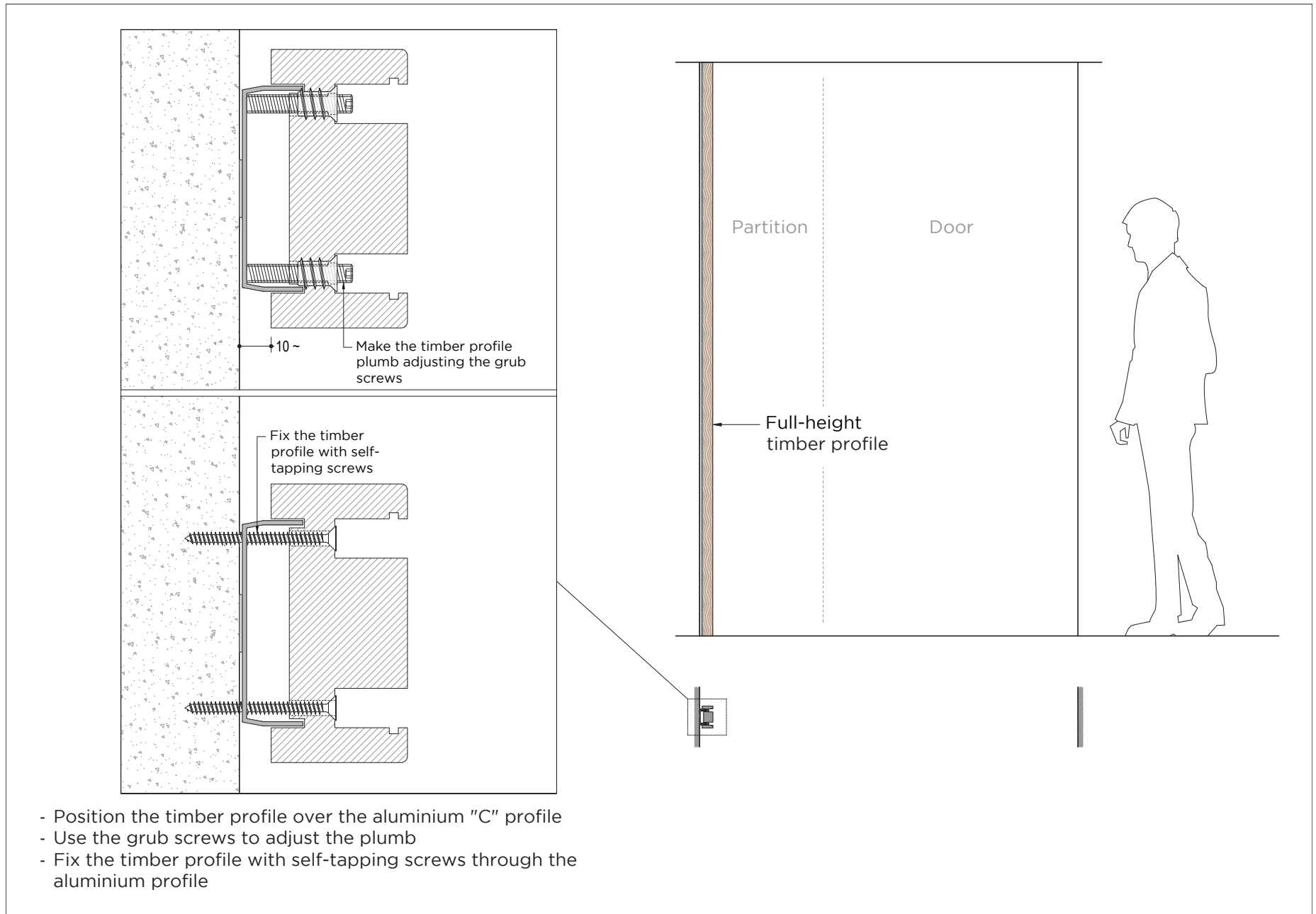
- Cut to size according to the ceiling height in the intended position
- Attach on the back side one strip of white adhesive tape.
- Depending on the material of the wall behind (masonry, steel, etc.), fix the aluminium profile either with the adhesive tape or add wall plugs and screws.

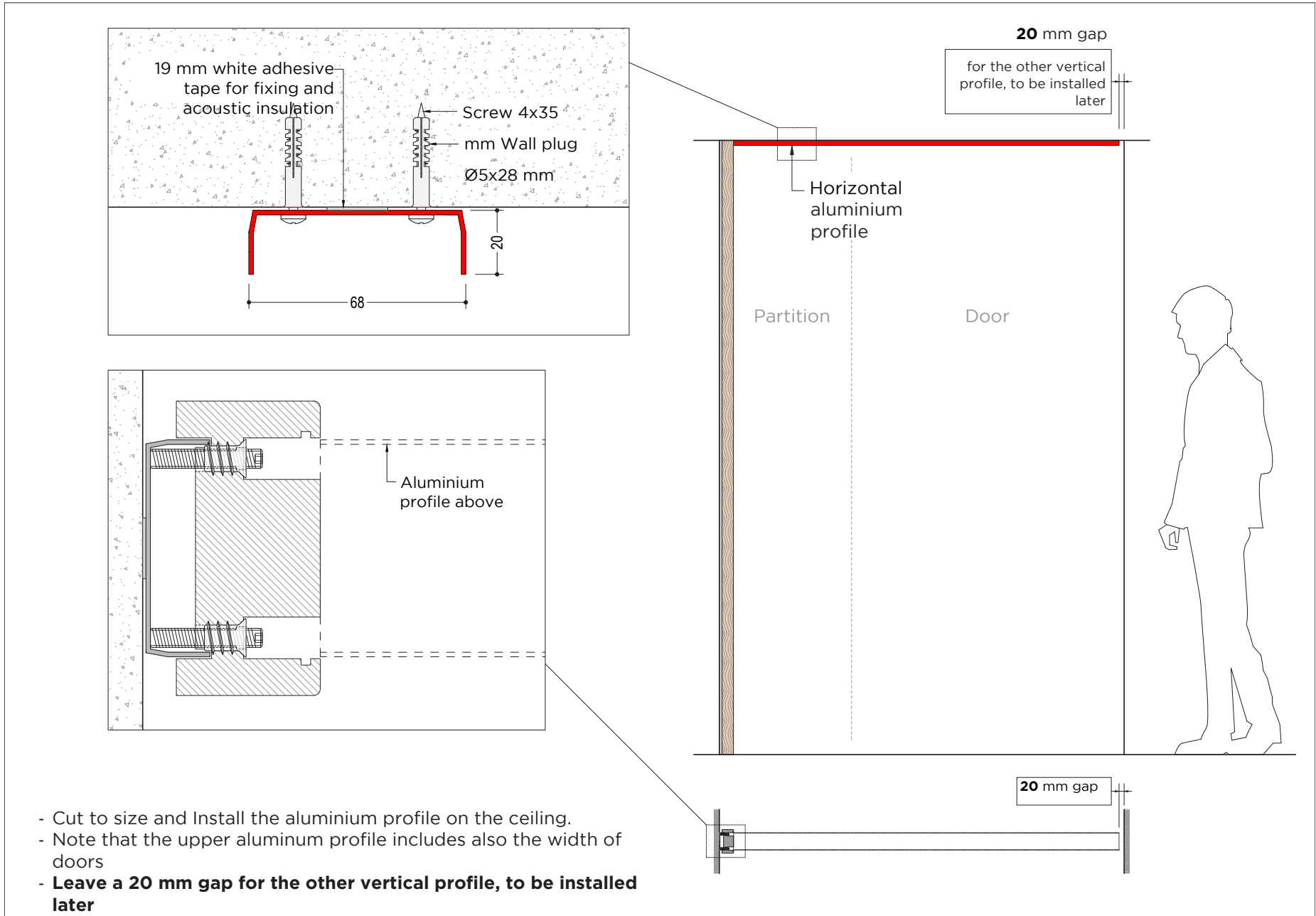
NOTE: even if fixing with wall plugs, always use the white tape as it fills any small gaps between the aluminium profile and the wall, thus improving the acoustics of the partition

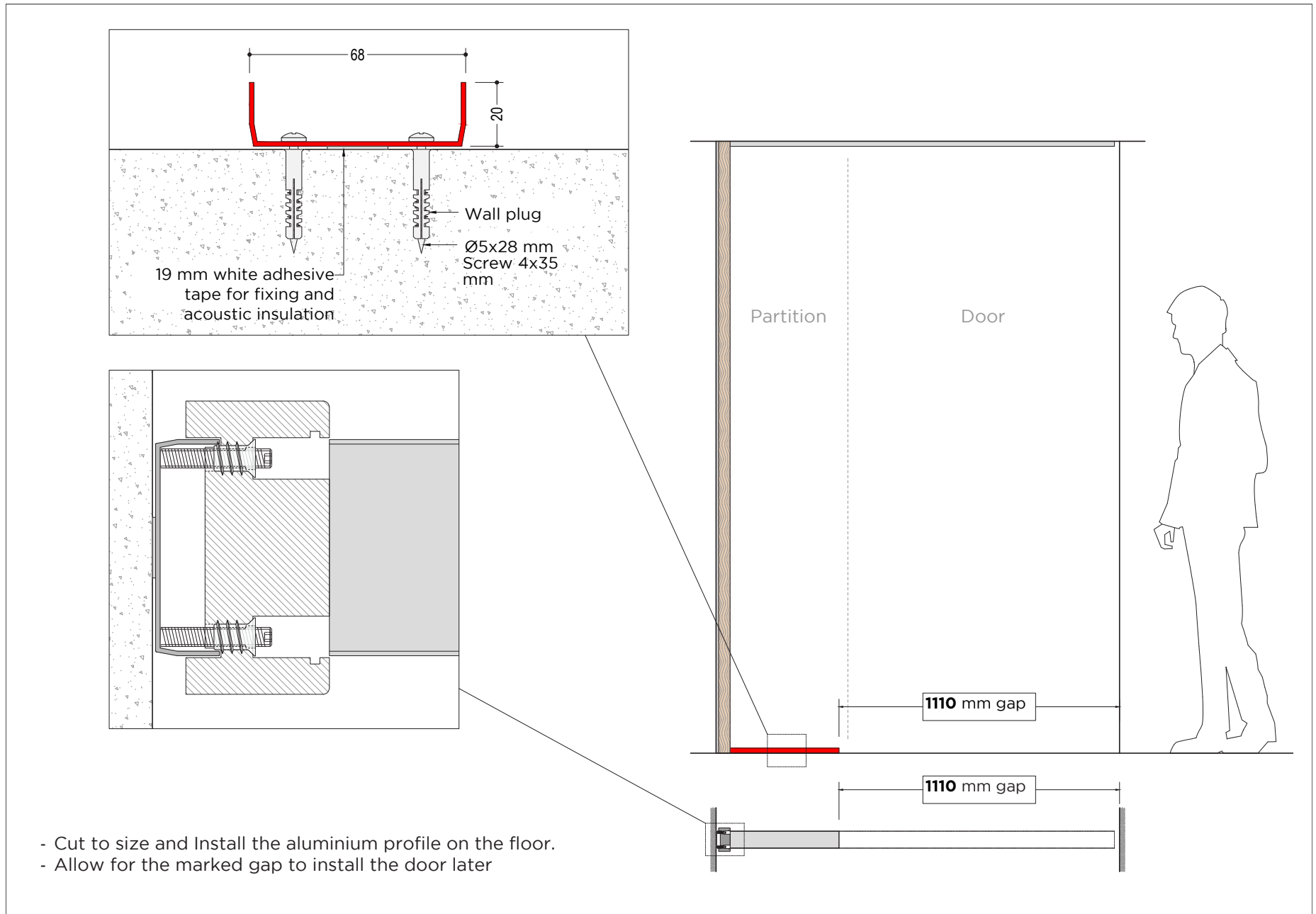


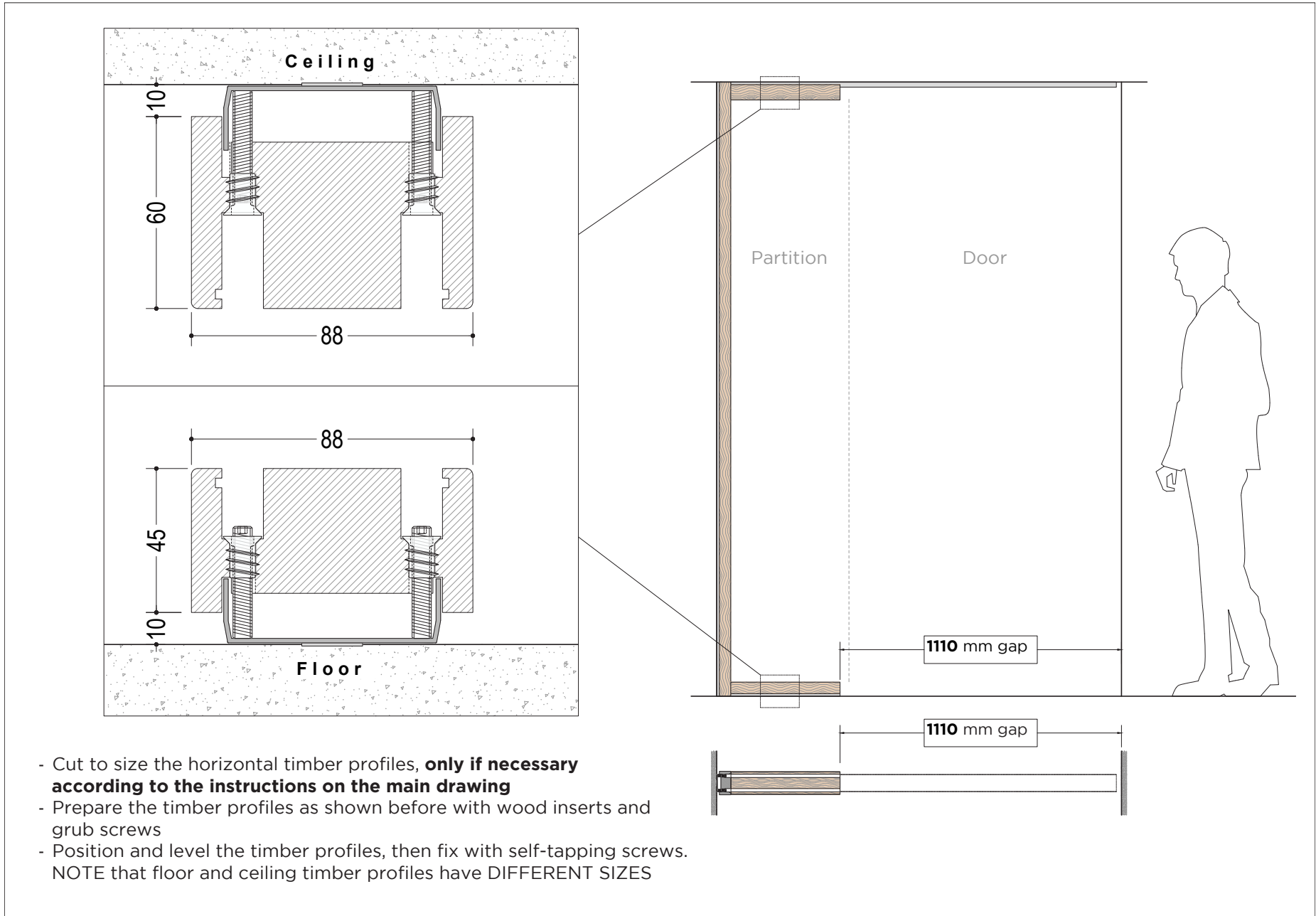
Prepare the vertical timber profile 92x45 mm (double glazed option is shown; the same apply to single glazed and solid as well):

- Cut to size according to the ceiling height in the intended position
- Fasten the M6 wood inserts into the pre-drilled $\varnothing 8$ mm holes
- Screw the M6x35 mm grub screws into the wood inserts

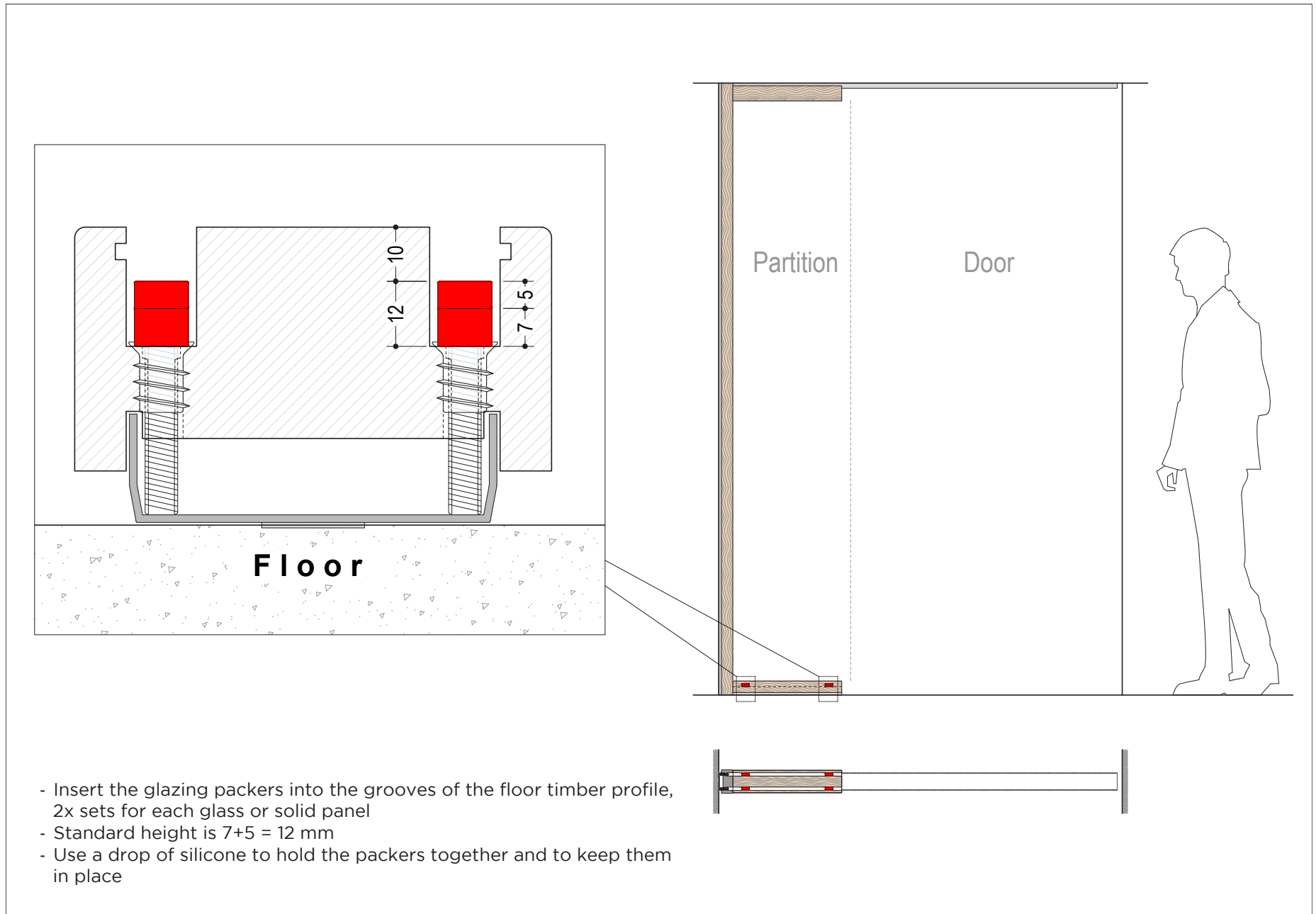


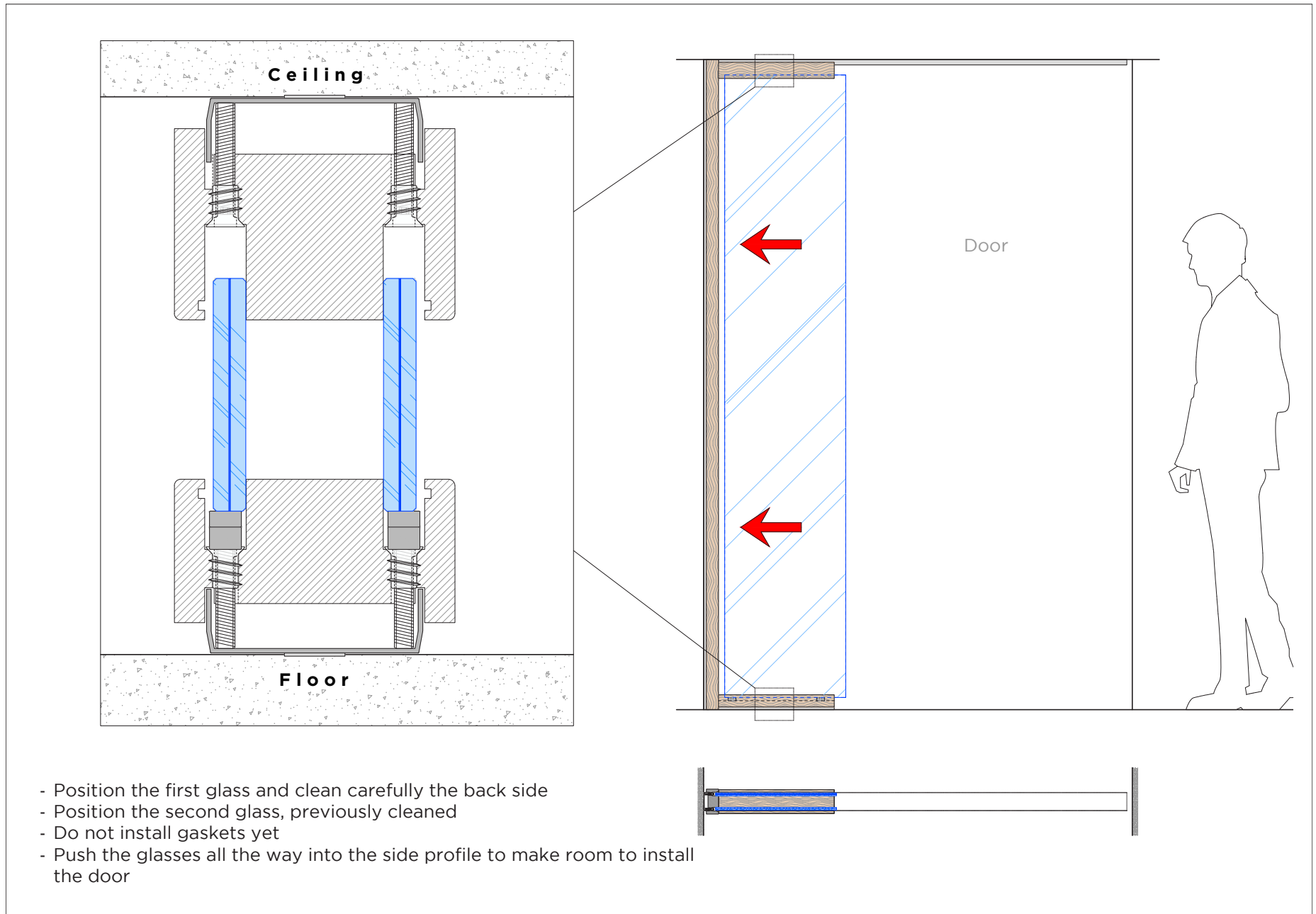


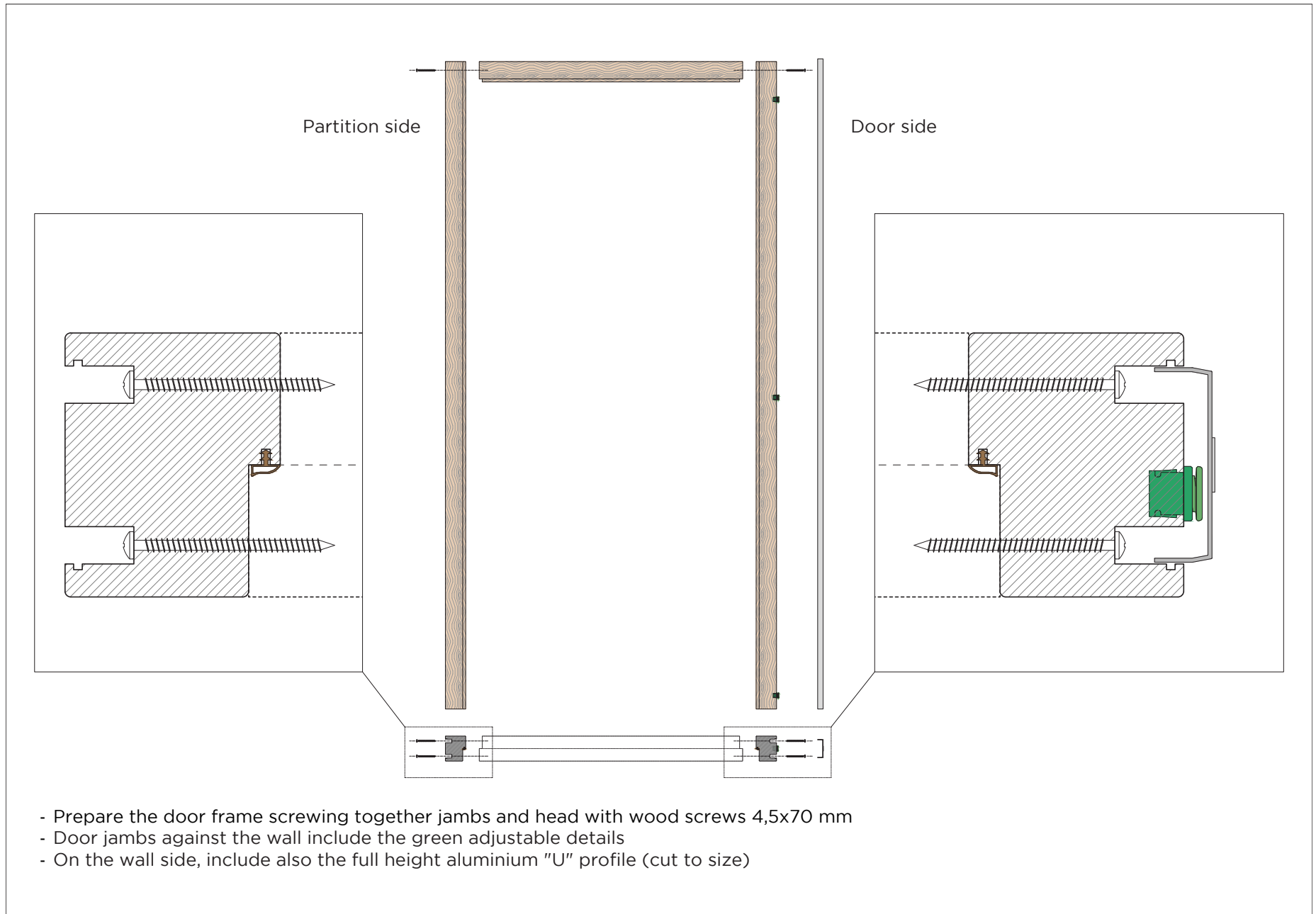


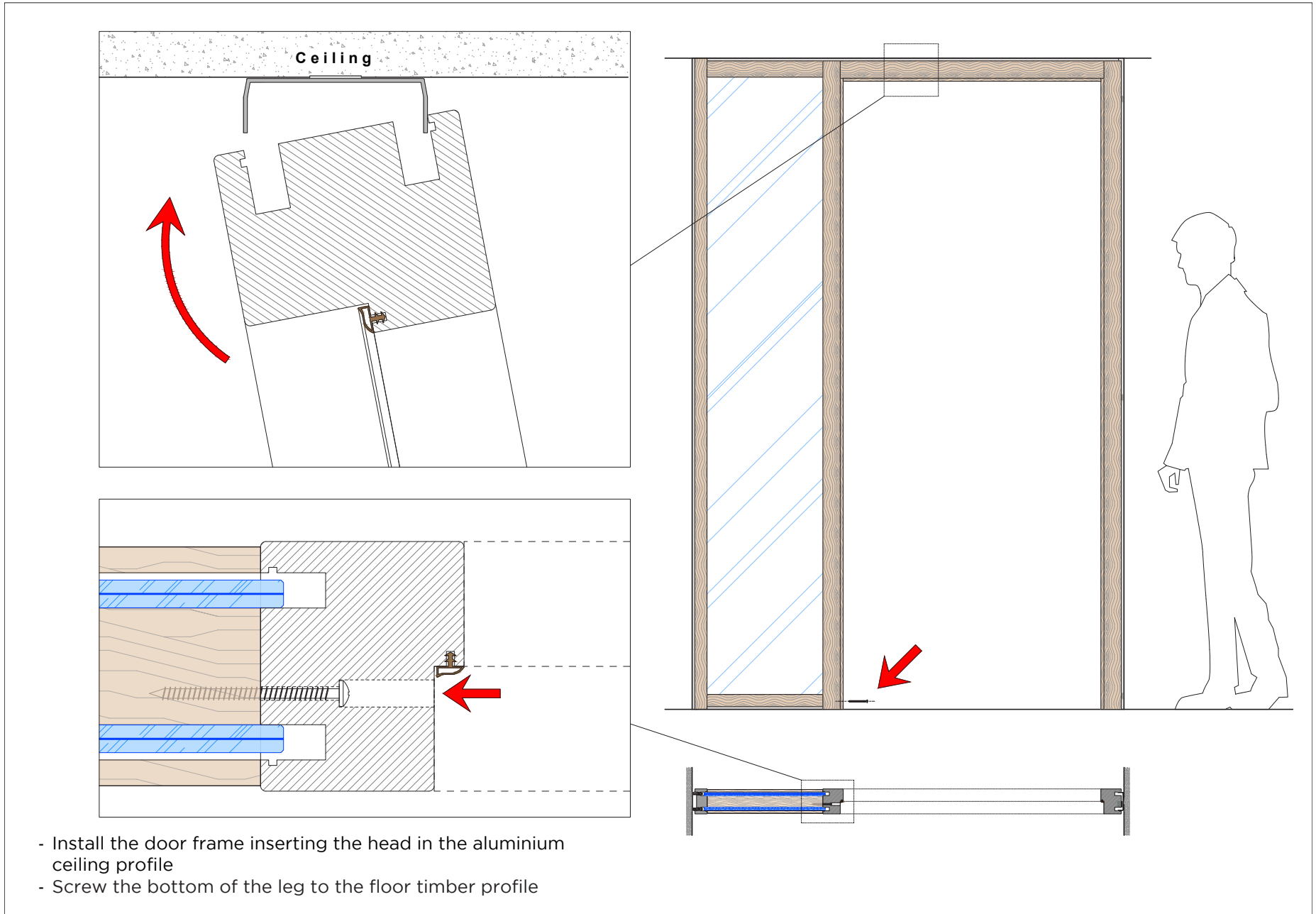


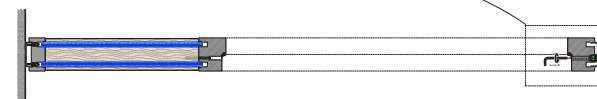
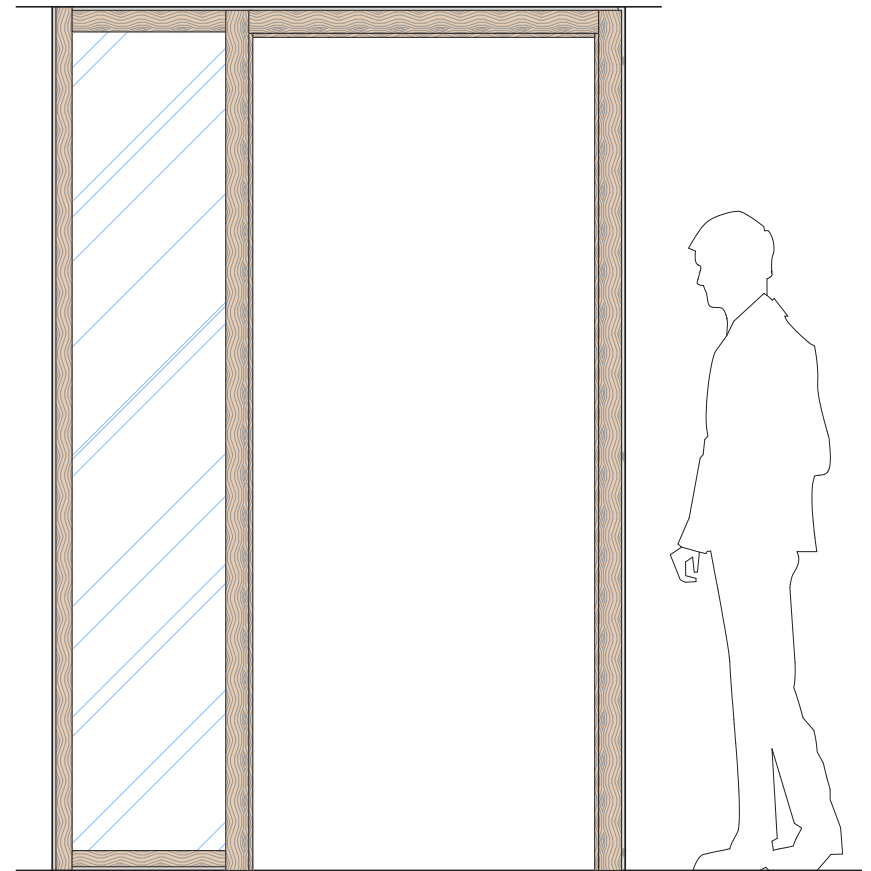
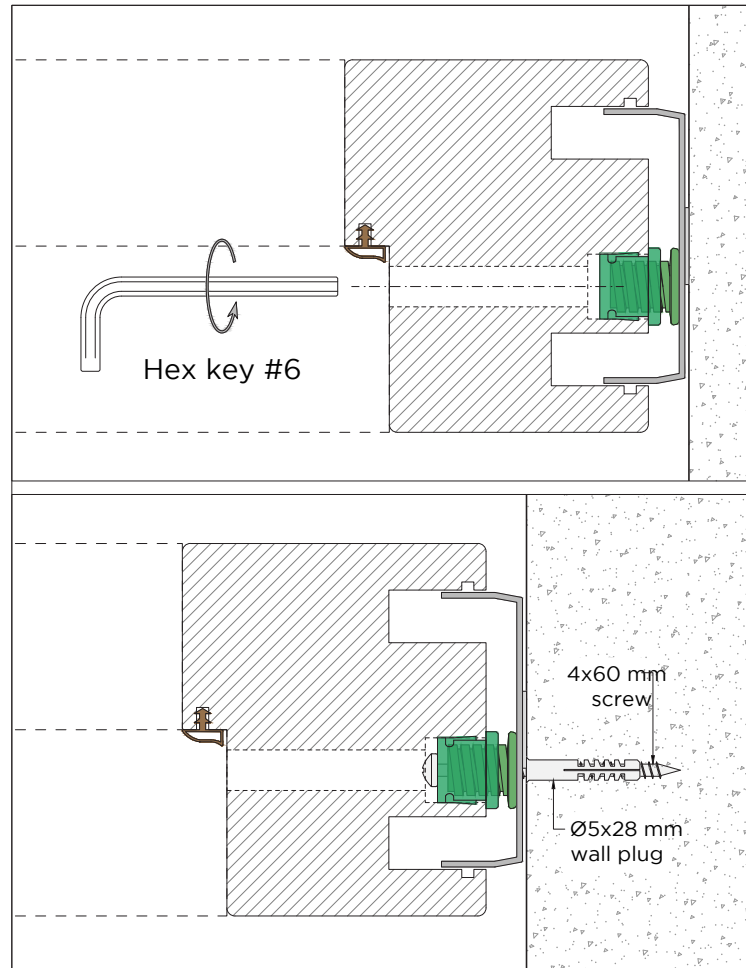
- Cut to size the horizontal timber profiles, **only if necessary according to the instructions on the main drawing**
- Prepare the timber profiles as shown before with wood inserts and grub screws
- Position and level the timber profiles, then fix with self-tapping screws.
 NOTE that floor and ceiling timber profiles have DIFFERENT SIZES



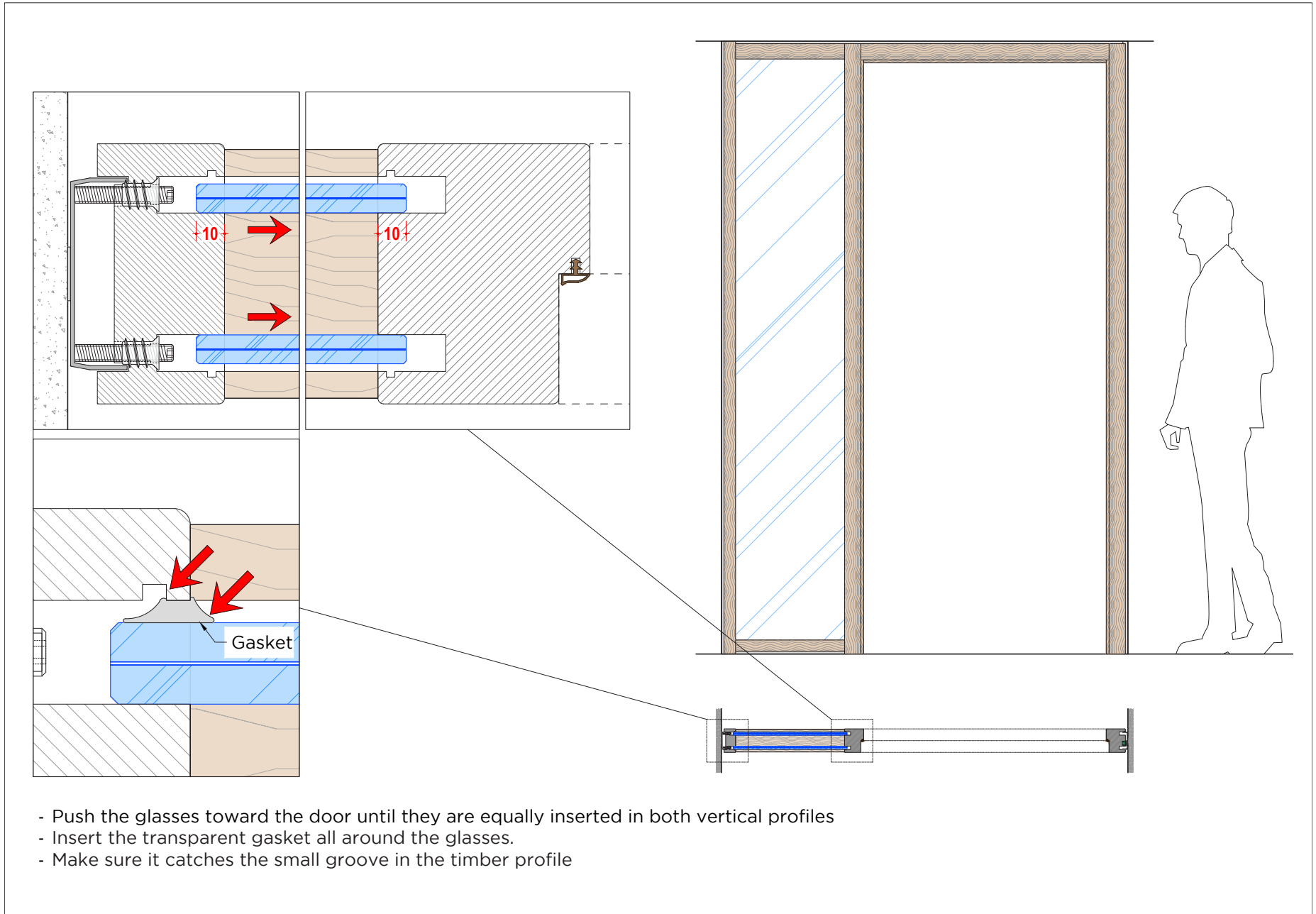


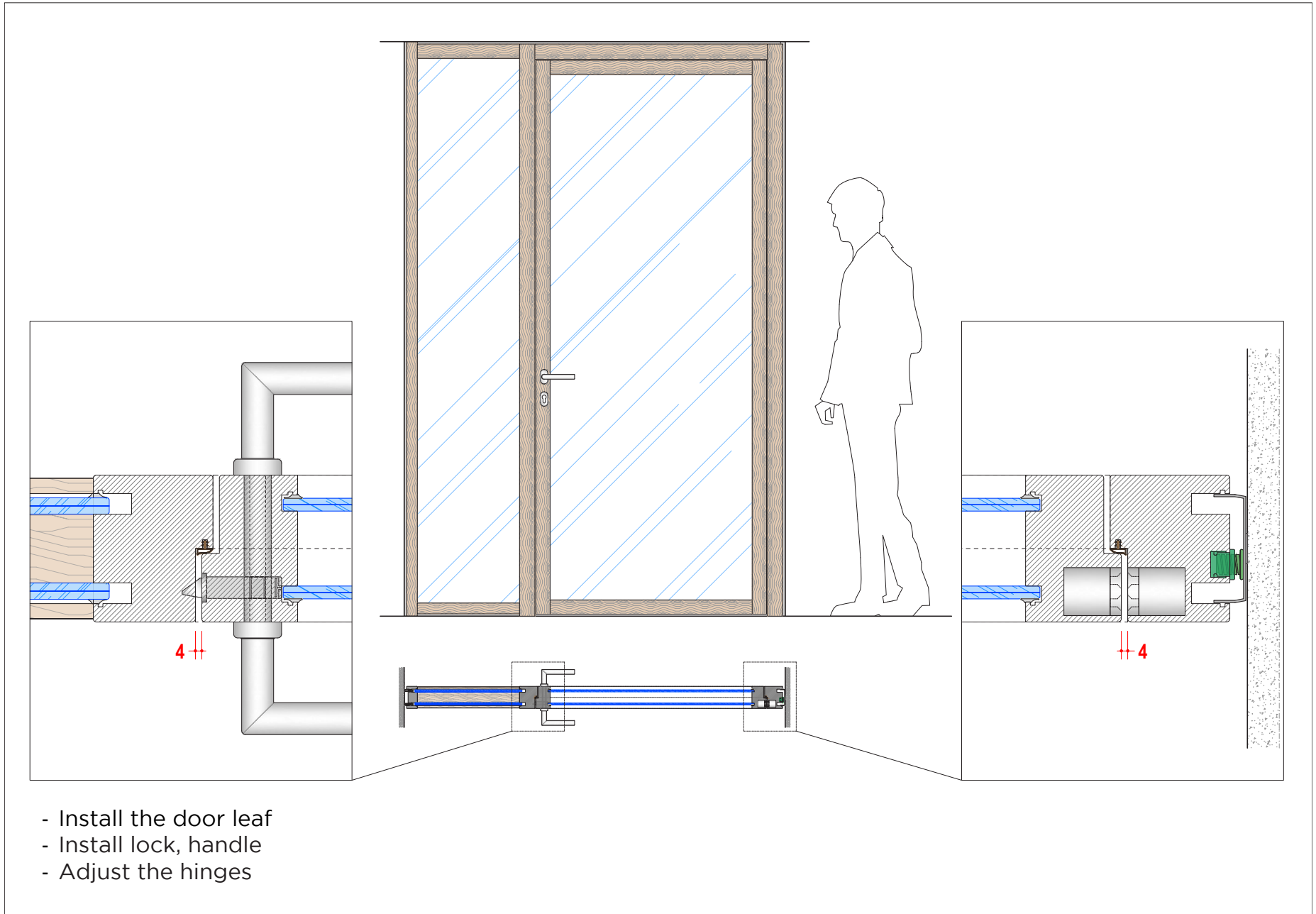




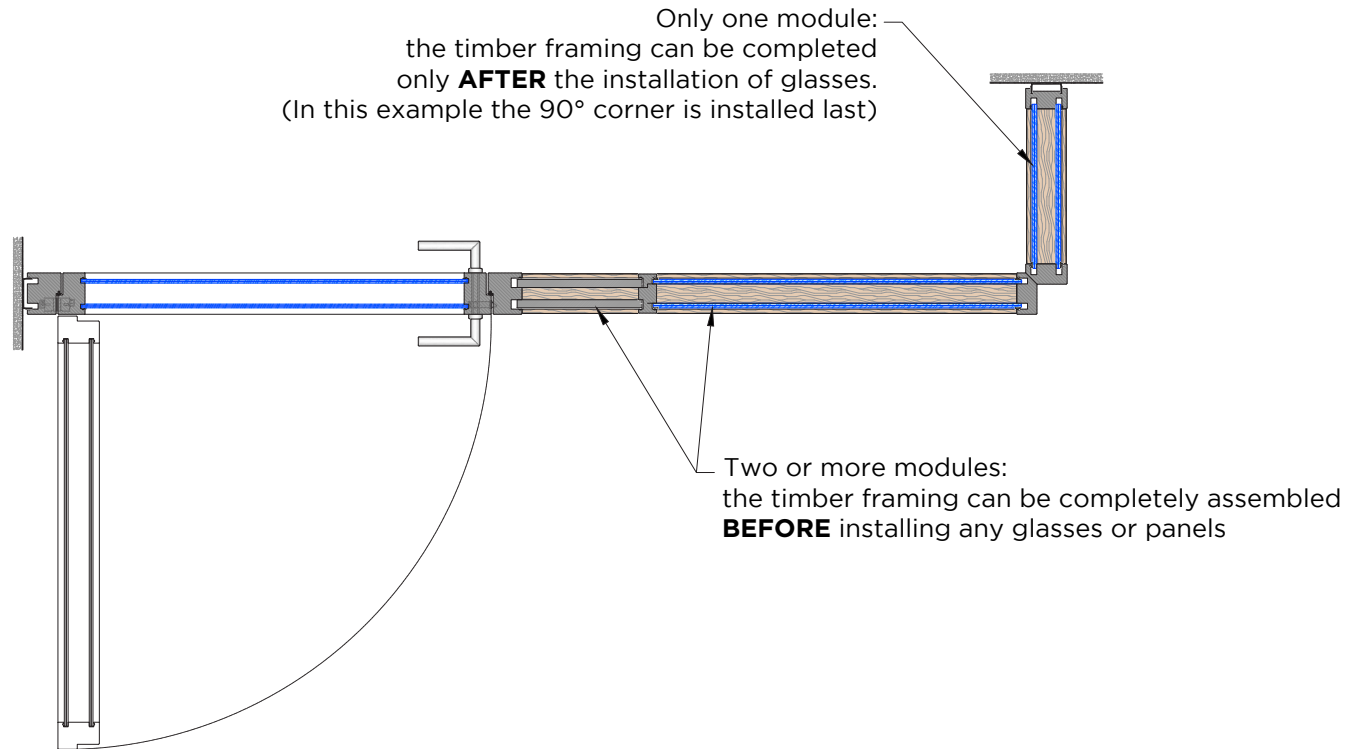


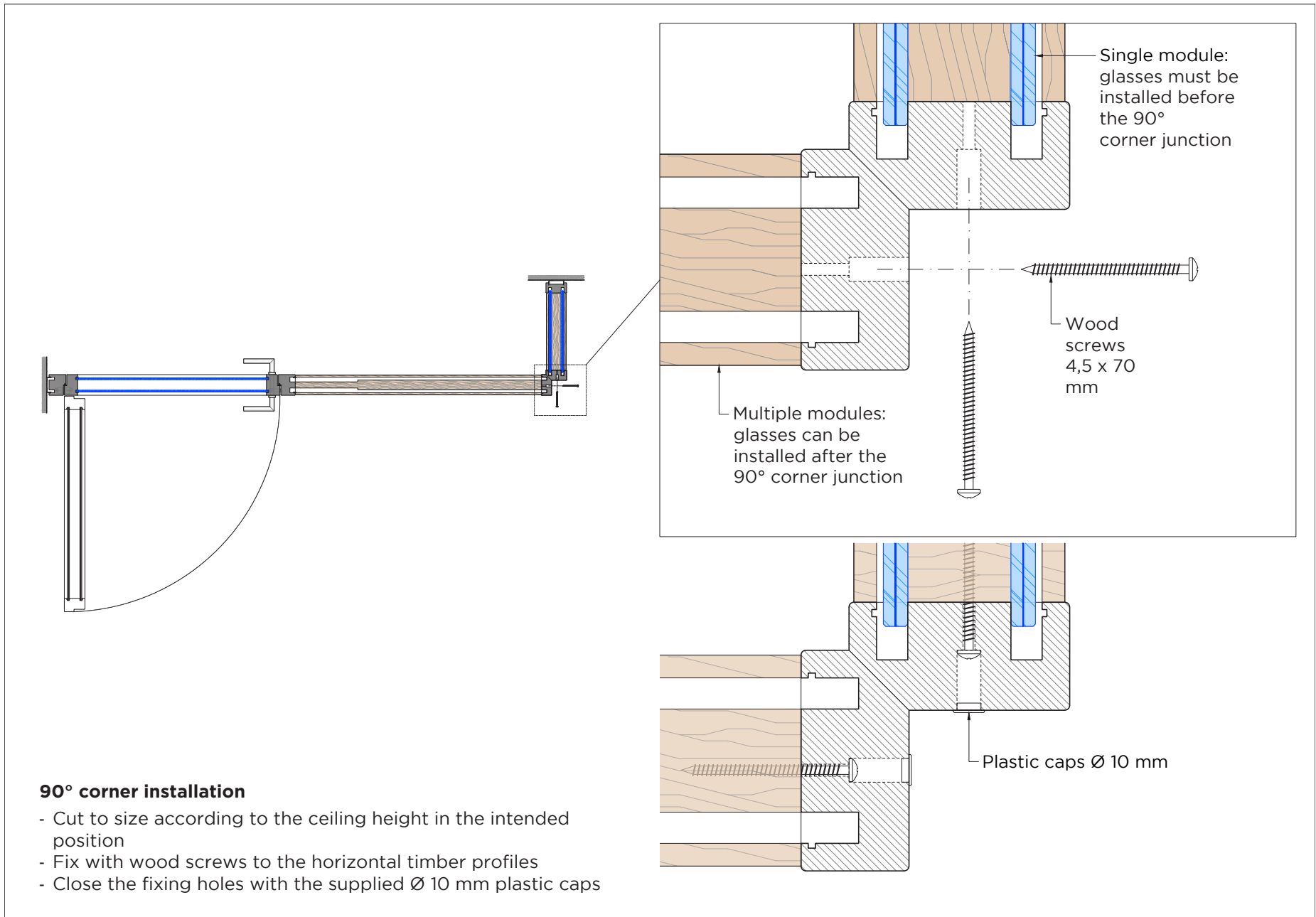
- Adjust the green regulators with #6 allen key to make the aluminium profile tight against the side wall
- Drill through the regulators to insert wall plugs, or fix with self tapping screws (depending on the wall material)
- Install the ironmongery on the frame, hinges, lock plate, door closer (if applicable)

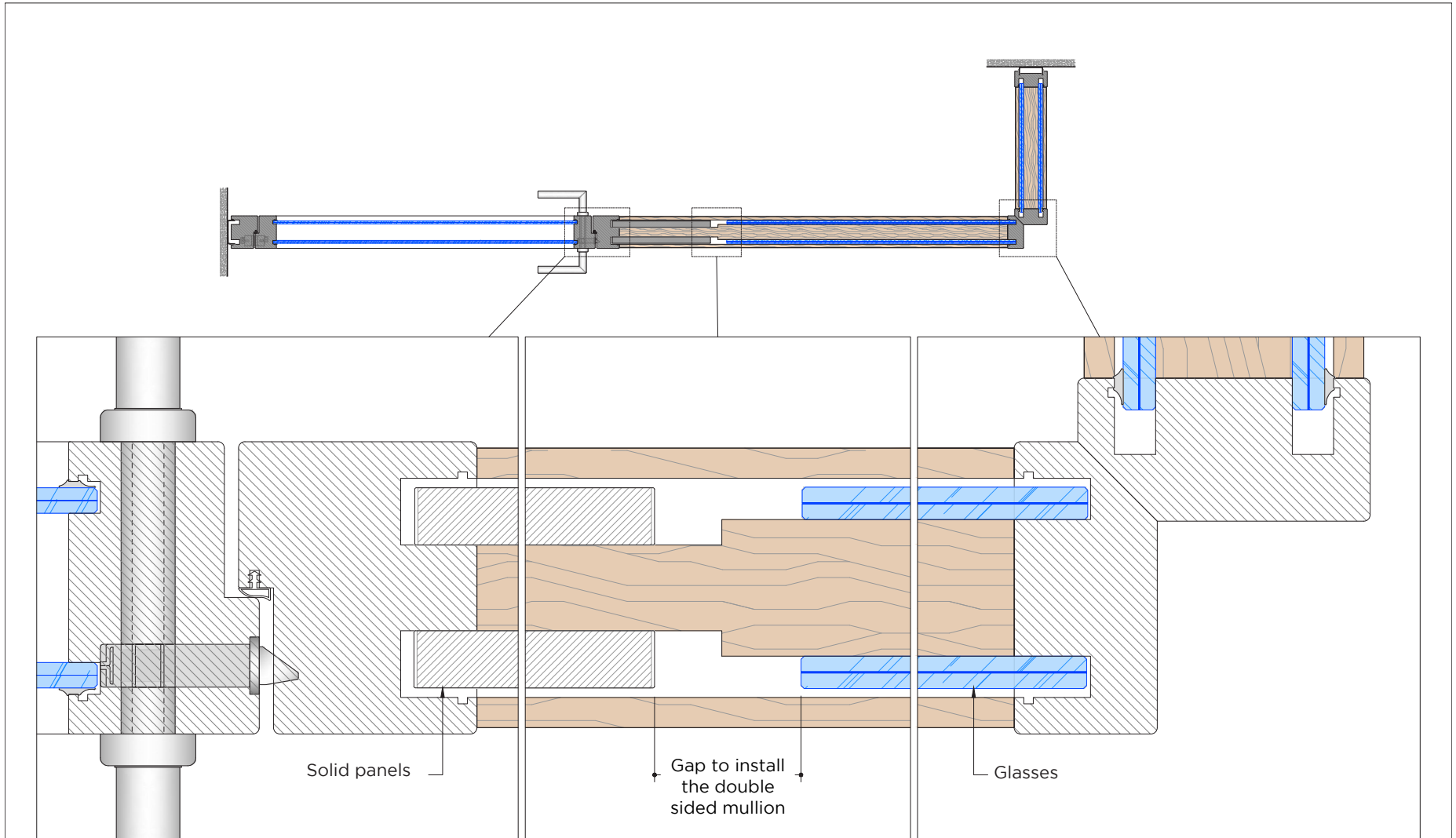




Example composition with **MULTIPLE** partition modules and door

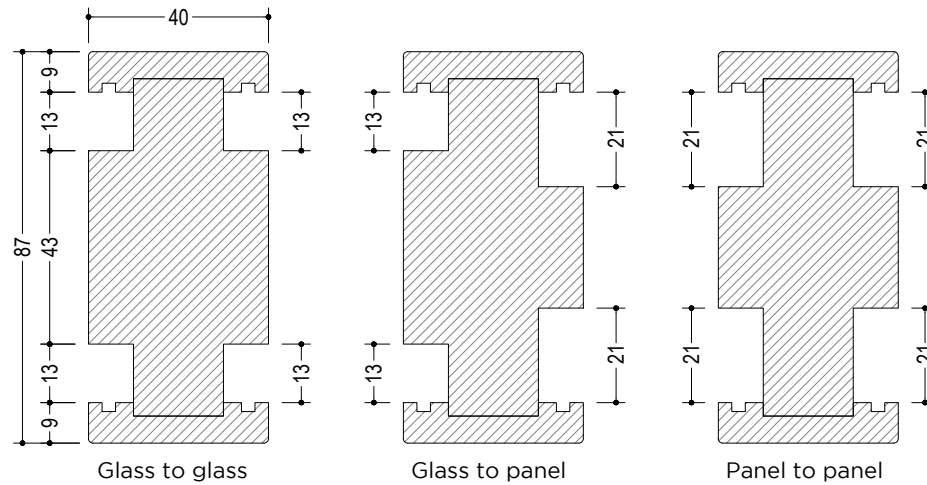




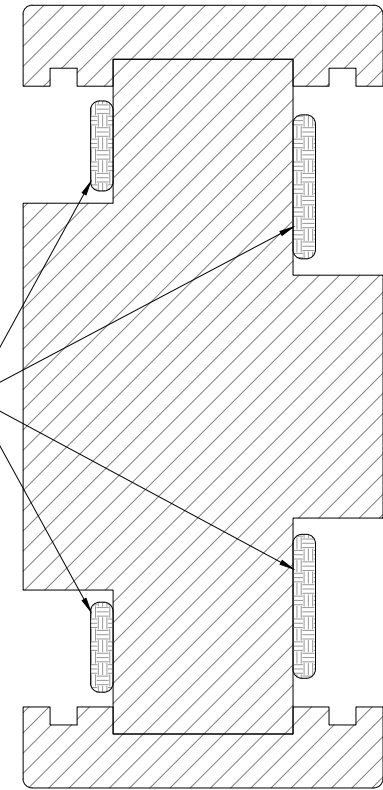


Intermediate mullion (1)

- Install the timber framing
- Position the glasses and push them all the way into the corner junction
- Position the solid panels and push them all the way into the door frame leg

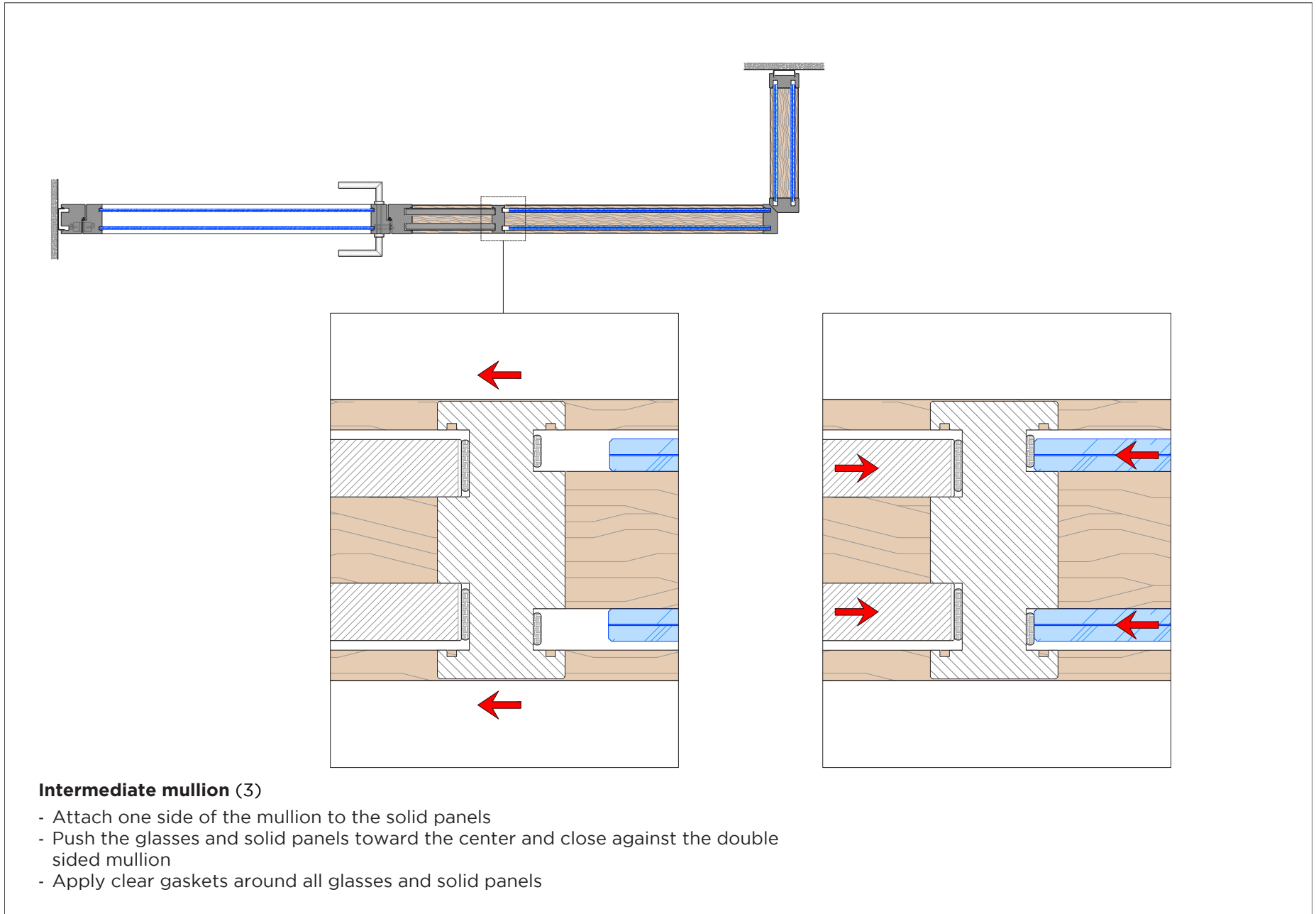


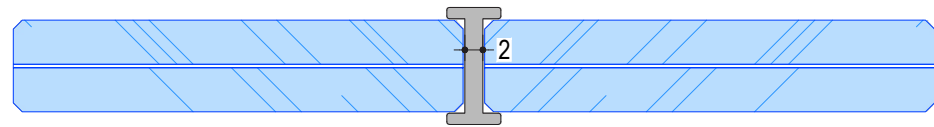
Silicone sealant



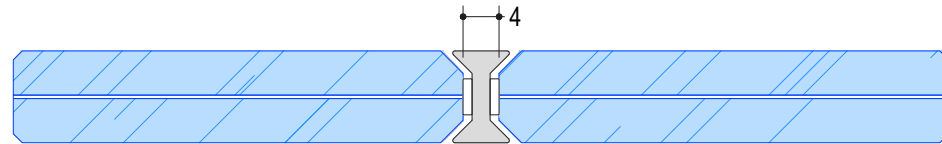
Intermediate mullion (2)

- Cut to size the double sided mullion to fit between ceiling and floor profiles
- Apply silicone sealant inside the 4 grooves
- Attach one side of the mullion to the solid panels
- Push the glasses and solid panels toward the center and close against the double sided mullion

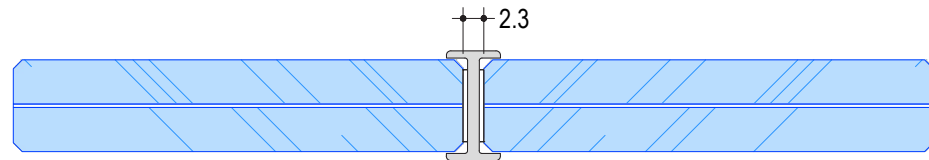




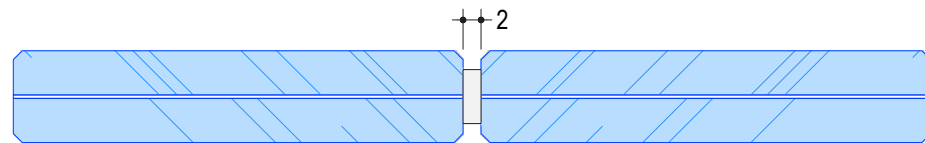
Aluminium "H"
profile. Glue with
clear silicone



Polycarbonate "H" profile
(coplanar) with preinstalled
adhesive tapes



Polycarbonate "H" profile
(overlapping) with preinstalled
adhesive tapes



Clear adhesive tape

Other intermediate junctions for glazing (if applicable)