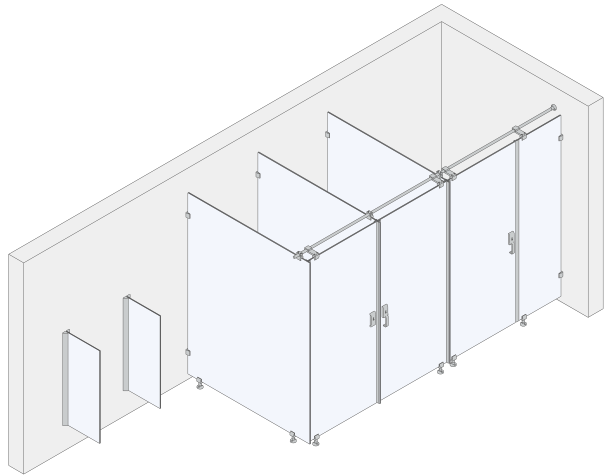
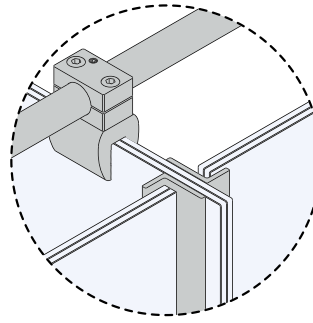


glassBOX > T-Type

CB-GBOX-T



3D ISOMETRIC VIEW



STABILIZING BAR DETAIL



Specifications

glassBOX > T-Type

The glassBOX-T features a unique exterior, with dividers that accentuate each cubicle. The system has a top stabilizing bar and comes in two standard heights to accommodate ADA requirements. Doors operate with a hydraulic pivot.

APPLICATIONS —

Commercial bathroom cubicles; shower fronts

HARDWARE —

- Double anodized aluminum with steel components (locks, fasteners, etc.)
- Self-closing, hydraulic pivot hinges
- Top aluminum stabilizing bar
- Double anodized aluminum legs and channels

HARDWARE FINISHES —

- MFSA (satin anodized aluminum)
- MFBR (Brilliant aluminum)
- MFTI (Titanium finished aluminum)

STANDARD HEIGHTS —

Standard Heights (Includes stabilizing bar):
82-13/16", 88-11/16", 94-11/16"

MOUNTING OPTIONS —

- Cubicle fastens to side walls
- Anchored to finished flooring
- Does not fasten to ceiling; cubicle can span full height of room or can be dropped down to allow for sprinklers, ventilation, etc.

GLASS THICKNESS —

-7/16" [14mm]

WARRANTY —

1 Year Limited Warranty

Specification Code: **CB-GBOX-T**

CB	GBOX	T
LINE	TYPE	MODEL/ID