

# Lockers > glass LOCKERS



**CARVART's glassLOCKERS and chpLOCKERS come in a wide range of configurations to meet almost any facility's needs. The Compact High Pressure Phenolic Laminate (cHPL) body provides durability, while the 1/4" thick glass (or cHPL, optional) doors have the flexibility of opening up to 180 degrees. Anodized aluminum hinges are self-lubricating. Additionally, built-in slits ensure airflow for proper ventilation or drainage. Throughout the length of each door, profiles are equipped with rubber gaskets, acting as shock absorbers. With a large selection of colors, finishes, and configurations, CARVART's locker offering is perfect for virtually any setting.**

# Specifications

**LOCKERS > glassLOCKERS (CODE)**

Built with a 1/4" glass door, durable cHPL body, anodized aluminum profiles, and self-lubricating hinges, CARVART's glassLOCKERS ensure a balance between durability and design. Door numbering is laser printed on stainless steel plates or, on special order, printed/etched directly onto the glass doors. Available configurations are flexible, as they include single-, double- and triple-wide groupings, in conjunction with 1, 2, 3 and 4 tier options. Linear slits can be added to the bodies of the lockers to facilitate internal ventilation. Standard lockers include an adjustable base consisting of leveler legs, as well as an optional cHPL base.

**VALUE-ADDED BENEFITS**

- Multiple colors and finishes for doors and bodies
- Various lock options
- Durable cHPL material
- Easy to install
- Flexible configurations
- Turnkey project services

**FACILITY DESIGN APPLICATIONS**

Lockers for athletic, healthcare, corporate facilities.

**CONFIGURATIONS**

Single-, double- and triple-wide groupings. 1, 2, 3 and 4 tier options.

**FUNCTION**

Doors open up to 180 degrees. Individual locks per locker compartment.

**GLASS TYPES**

Tempered monolithic.

**GLASS FINISHES — Refer to Finish Chart**

CARVART laminated transparent glass design options available.

**cHPL FINISHES — Refer to Finish Chart**

White (406) for locker body only.

**SURFACES**

Smooth glass.  
Etched glass.

**GLASS THICKNESS —**

*Refer to local code and structural requirements*  
Accommodates 1/4" Nominal.

**HARDWARE DIMENSIONS**

1-5/16" exposed hinge width.

**HARDWARE MATERIALS/FINISHES —**

*Refer to Finish Chart*  
Satin Anodized Aluminum.

**WIDTHS (inches):**

Base—Shared common	Up to 116
2-Unit wide lockers	31-1/2
3-Unit wide lockers	47-1/4
Interior shelves	14-7/8

**HEIGHTS (inches): Tall version    Short version**

Overall	73-1/4	37-3/4
Base	2-3/8	2-3/8
1-Door	70-5/8	35-3/16
2-Door	35-3/16	17-3/4
3-Door	23-9/16	N.A.
4-Door	17-3/4	N.A.

**DEPTHS (inches):**

Overall	19-13/16
Internal shelves	18

**MOUNTING FASTENERS**

Cases bolt together through side panels and secure to wall with recommended bracket. Final anchoring decision is client-directed or based on client structural consultant. Mounting fasteners and anchors to be supplied by others. CARVART advisory available.

**ADD-ON DESIGN OPTIONS —**

*Per specification and upcharges apply*  
Lock options.  
Numeric face plates.  
Ventilation holes in back and bottom panels.  
Internal coat hooks, hat shelf, shoe shelf.

**CUSTOMIZATION**

Special sizes or finishes available upon request.

**INSTALLATION**

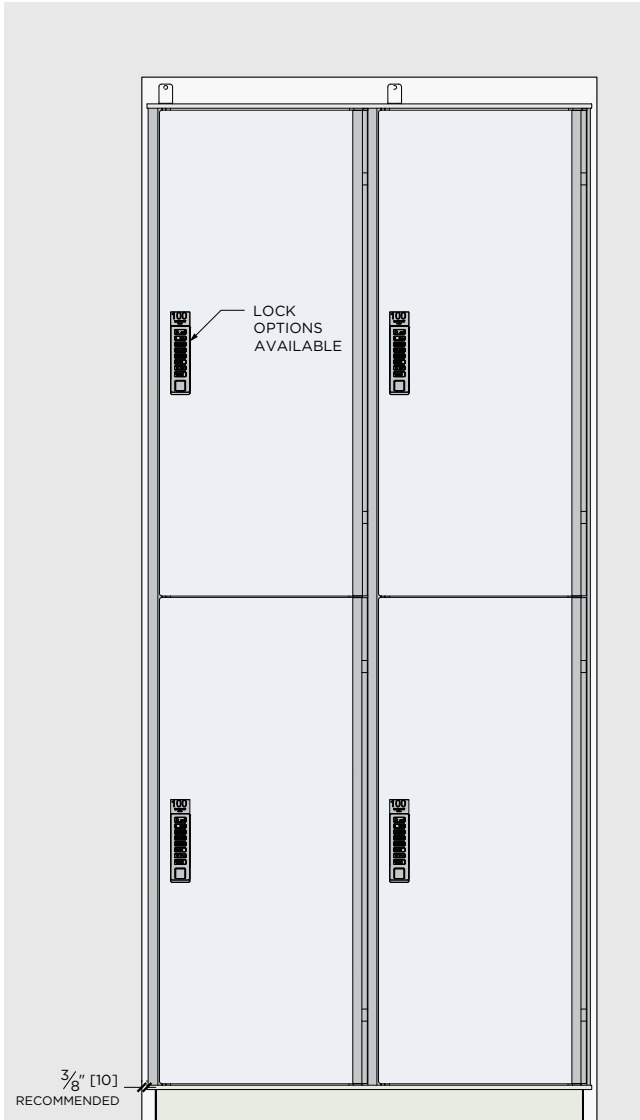
Requires trained and competent glazing or carpenter industry professionals. Installation instructions, assistance and training available at time of order.

**HARDWARE WARRANTY —**

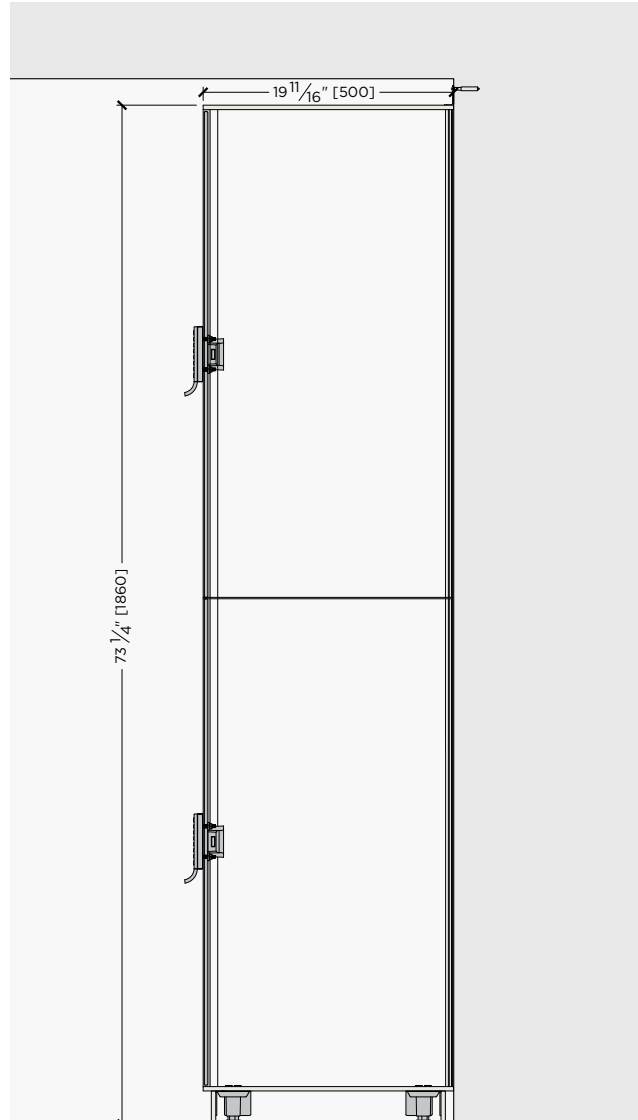
5-year limited warranty.

For more info, contact CARVART Sales Advisory Team at [quotes@carvart.com](mailto:quotes@carvart.com) or call us at 212 675 0030.

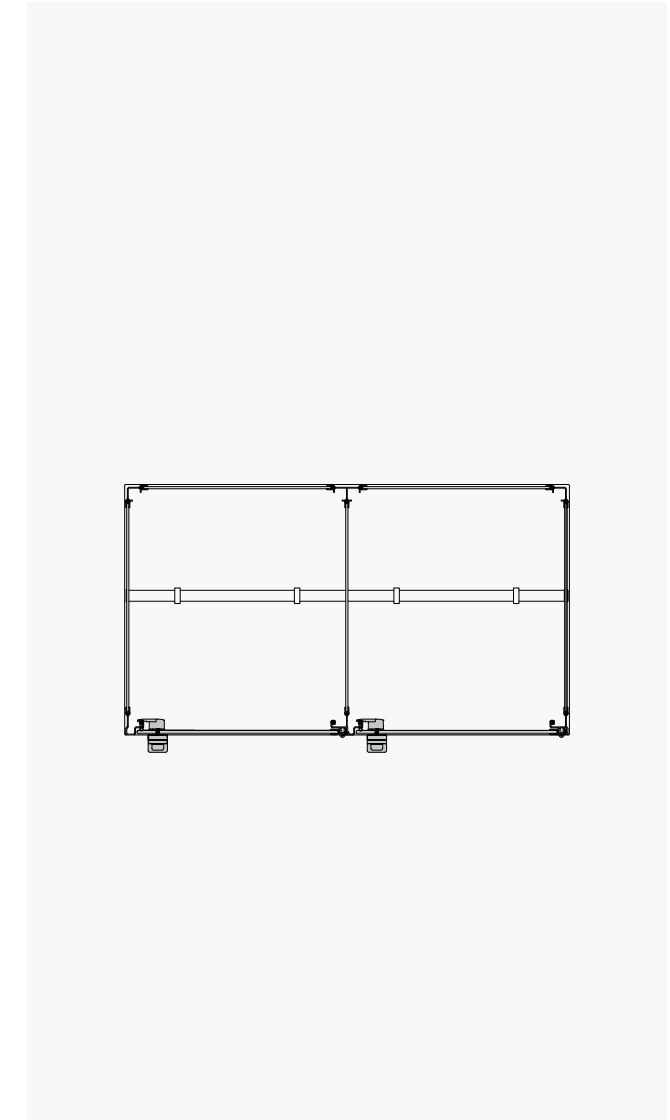
# glassLOCKERS



TYPICAL ELEVATION @ SINGLE PANEL

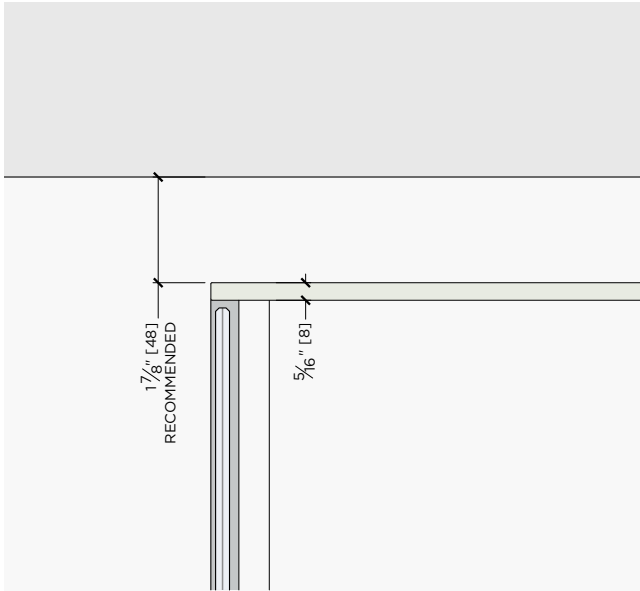


TYPICAL VERTICAL SECTION

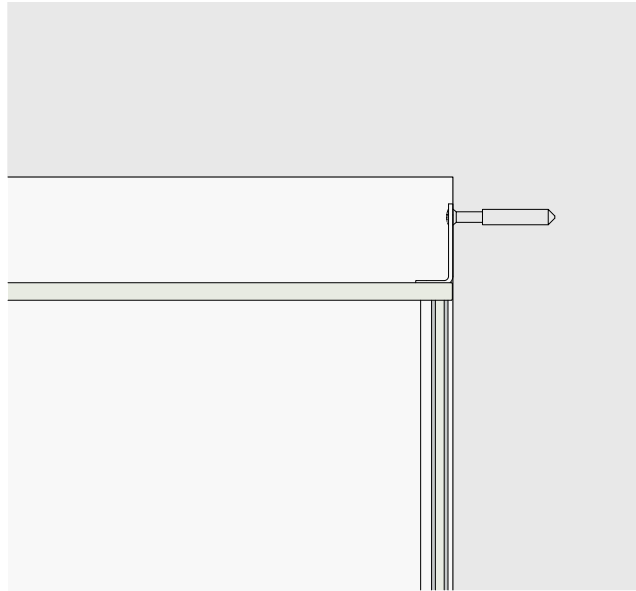


HORIZONTAL SECTION

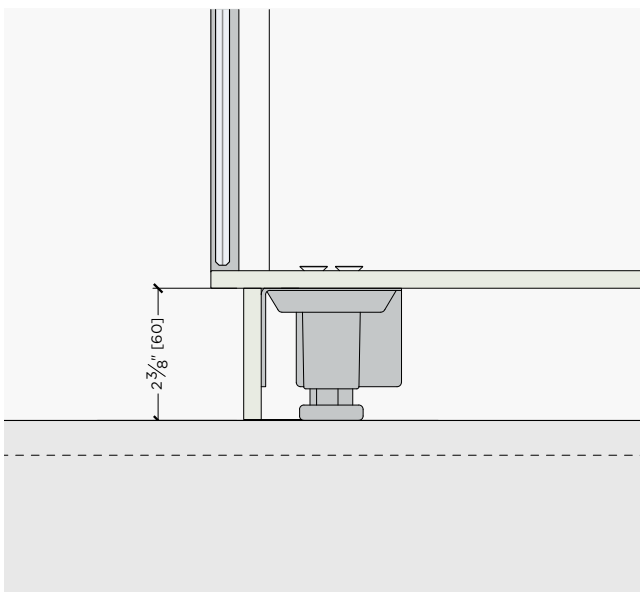
# glassLOCKERS



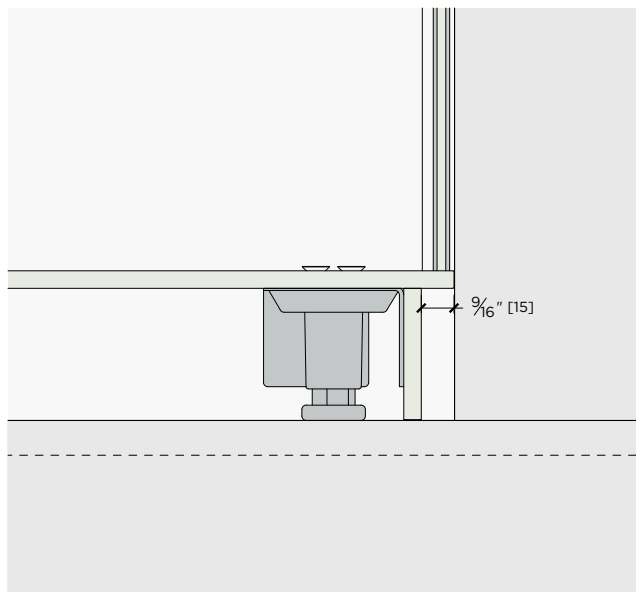
VERTICAL DETAIL @ TOP FRONT



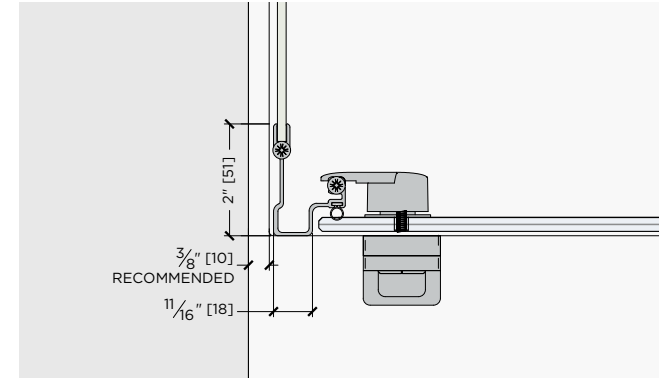
VERTICAL DETAIL @ TOP BACK



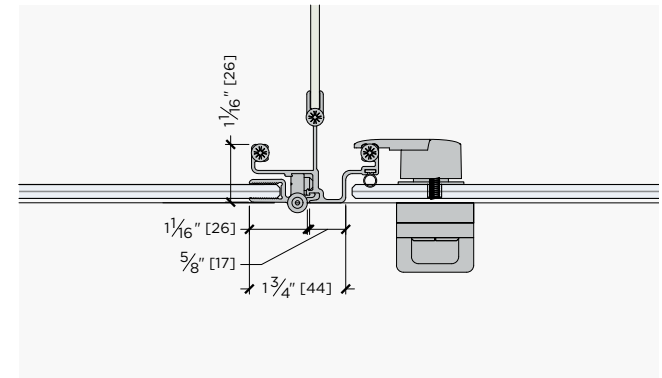
VERTICAL DETAIL @ BASE FRONT



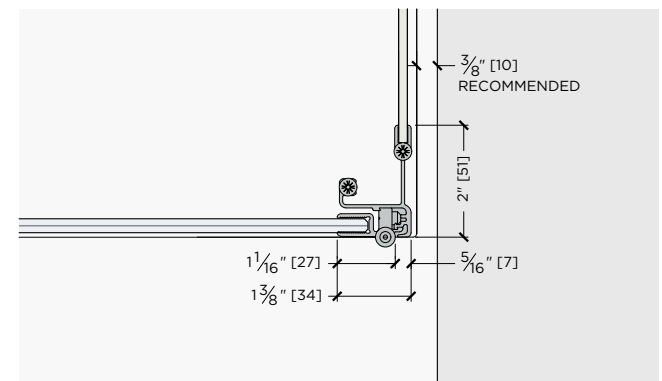
VERTICAL DETAIL @ BASE AND WALL



HORIZONTAL DETAIL @ CORNER JAMB

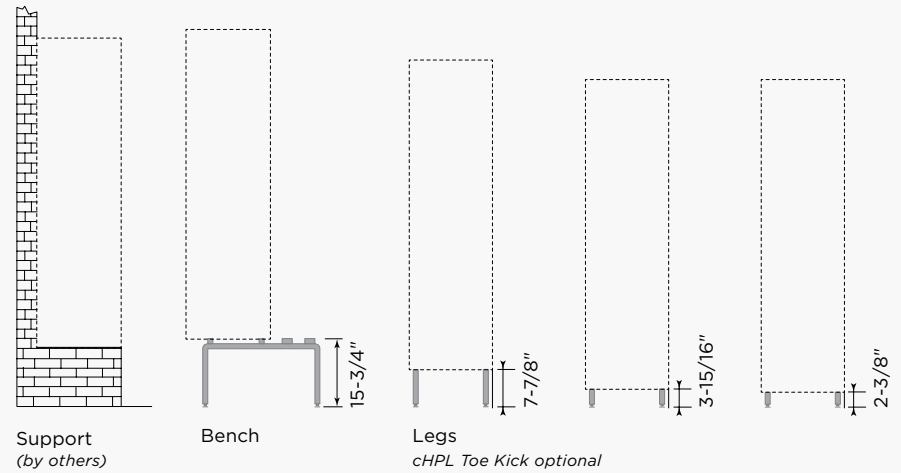
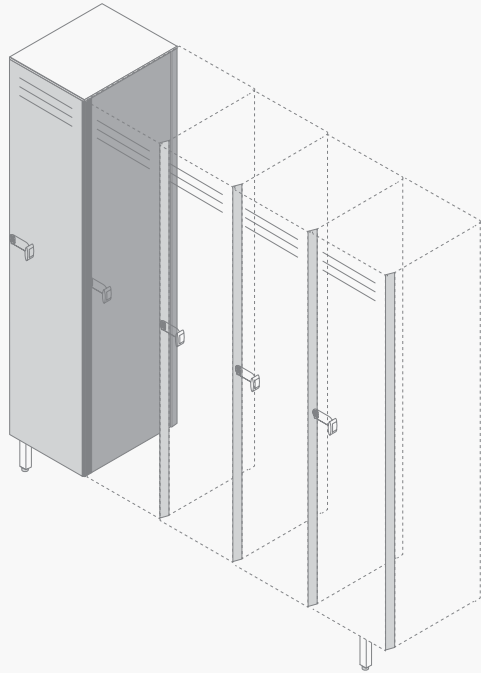


HORIZONTAL DETAIL @ HINGE AND JAMB



HORIZONTAL DETAIL @ CORNER HINGE

# Configurations



## CONFIGURATION IN COLUMNS

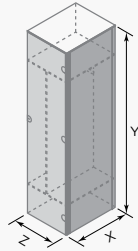
A series of lockers can consist of an “unlimited” number of columns. The total length of a series of lockers is given by the sum of the width of each column plus 7/16” to be added at the beginning and at the end of the series.

## LOCKER SUPPORTS

The different combinations of lockers can be supplied either with no support at all or standing on:

- 2-3/8” legs (standard)
- 3-15/16” legs
- 7-7/8” legs
- 15-3/4” bench

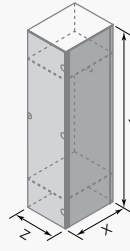
# Configurations



### TYPE A

Single-tier locker with clean/dirty compartments. Fitted out with hanging rod and 2 clothes hooks.

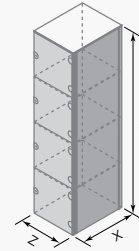
	A1	A2	A3	A4
X	19-11/16"	19-11/16"	19-11/16"	19-11/16"
Y	62"	70-7/8"	62"	70-7/8"
Z	11-13/16"	11-13/16"	15-3/4"	15-3/4"



### TYPE E

Single-tier locker fitted out with hanging rod and clothes hook.

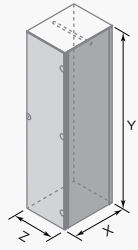
	E1	E2	E3	E4
X	19-11/16"	19-11/16"	19-11/16"	19-11/16"
Y	62"	70-7/8"	62"	70-7/8"
Z	11-13/16"	11-13/16"	15-3/4"	15-3/4"



### TYPE I

Four-tier locker with 4 doors.

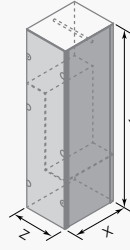
	I1	I2	I3	I4
X	19-11/16"	19-11/16"	19-11/16"	19-11/16"
Y	62"	70-7/8"	62"	70-7/8"
Z	11-13/16"	11-13/16"	15-3/4"	15-3/4"



### TYPE B

Single-tier locker fitted out with hanging rod and clothes hook.

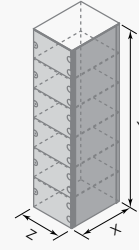
	B1	B2	B3	B4
X	19-11/16"	19-11/16"	19-11/16"	19-11/16"
Y	62"	70-7/8"	62"	70-7/8"
Z	11-13/16"	11-13/16"	15-3/4"	15-3/4"



### TYPE F

Z Lockers fitted out with 2 hanging rods and 2 clothes hooks. Available with cHPL doors only.

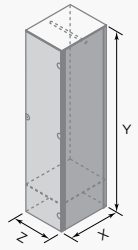
	F1	F2	F3	F4
X	19-11/16"	19-11/16"	19-11/16"	19-11/16"
Y	62"	70-7/8"	62"	70-7/8"
Z	11-13/16"	11-13/16"	15-3/4"	15-3/4"



### TYPE L

Six-tier locker with 6 doors.

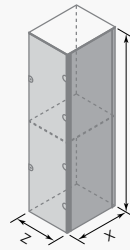
	L1	L2	L3	L4
X	19-11/16"	19-11/16"	19-11/16"	19-11/16"
Y	62"	70-7/8"	62"	70-7/8"
Z	11-13/16"	11-13/16"	15-3/4"	15-3/4"



### TYPE C

Single-tier locker fitted out with shoe rack, hanging rod and clothes hook.

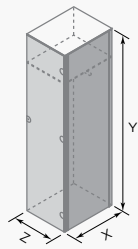
	C1	C2	C3	C4
X	19-11/16"	19-11/16"	19-11/16"	19-11/16"
Y	62"	70-7/8"	62"	70-7/8"
Z	11-13/16"	11-13/16"	15-3/4"	15-3/4"



### TYPE G

Double-tier locker fitted out with 2 separate doors, 2 hanging rods and 2 clothes hooks.

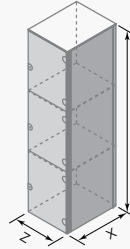
	G1	G2	G3	G4
X	19-11/16"	19-11/16"	19-11/16"	19-11/16"
Y	62"	70-7/8"	62"	70-7/8"
Z	11-13/16"	11-13/16"	15-3/4"	15-3/4"



### TYPE D

Single-tier locker fitted out with shelf, hanging rod and clothes hook.

	D1	D2	D3	D4
X	19-11/16"	19-11/16"	19-11/16"	19-11/16"
Y	62"	70-7/8"	62"	70-7/8"
Z	11-13/16"	11-13/16"	15-3/4"	15-3/4"

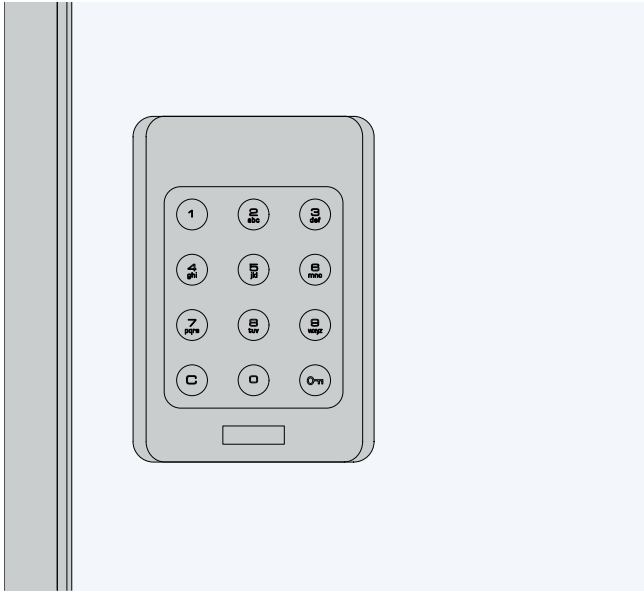


### TYPE H

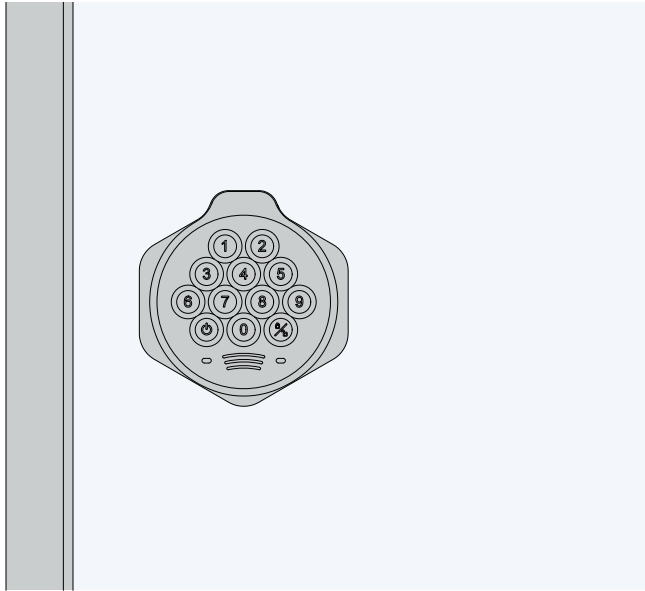
Three-tier locker with 3 doors.

	H1	H2	H3	H4
X	19-11/16"	19-11/16"	19-11/16"	19-11/16"
Y	62"	70-7/8"	62"	70-7/8"
Z	11-13/16"	11-13/16"	15-3/4"	15-3/4"

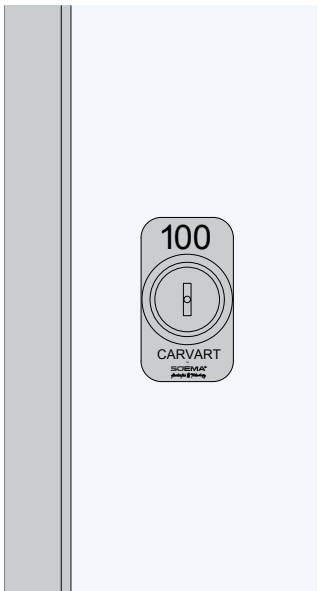
# Options: Locks



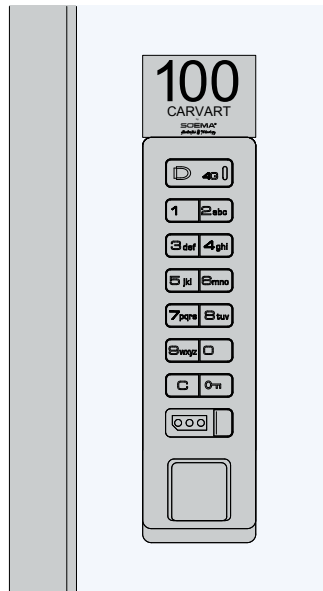
OJMAR LOCK



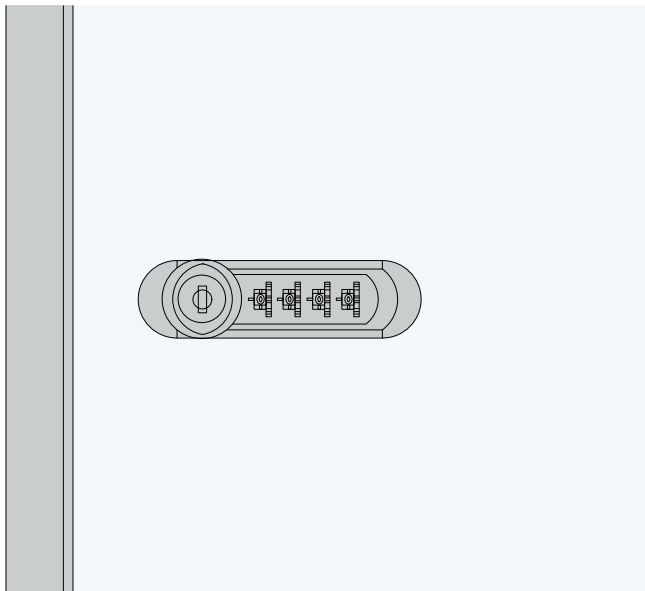
RFID/DIGITAL COMBINATION ZEPHYR LOCK



KEY LOCK



DIGILOCK



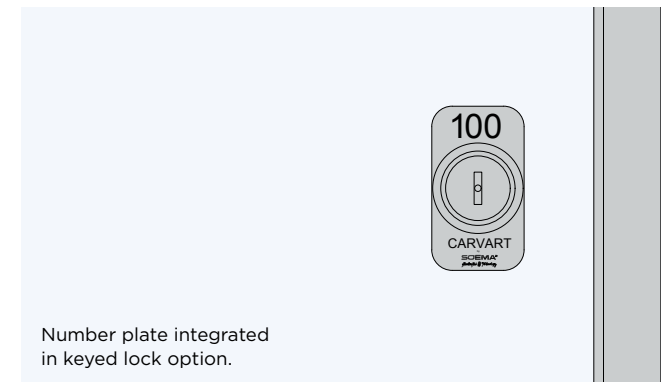
COMBINATION LOCK

With a variety of lock options, CARVART offers several solutions to meet aesthetic, function and budget needs. Digital options include keypad and two price points, while the mechanical options are more minimal yet still easy to operate as a user and from a facility manager standpoint.

## NUMBER PLATE OPTIONS



Sticker number plate with heavy-duty adhesive (placed at center/top of door or directly above lock (Digilock option only).



Number plate integrated in keyed lock option.



**COLORS**  
Glass



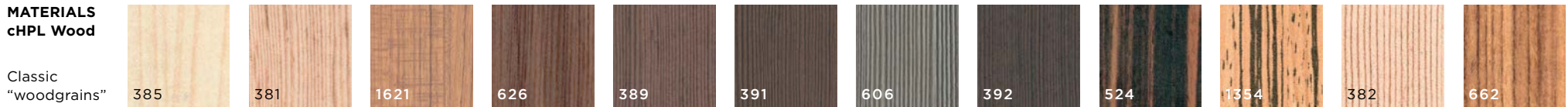
**cHPL**



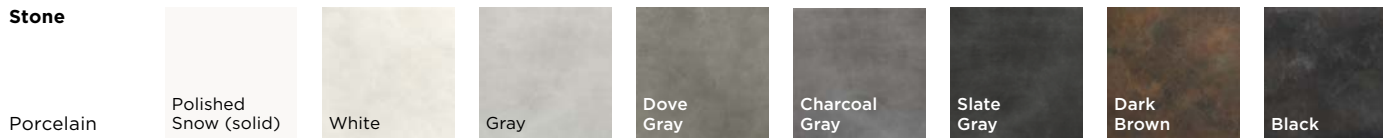
**Hardware**



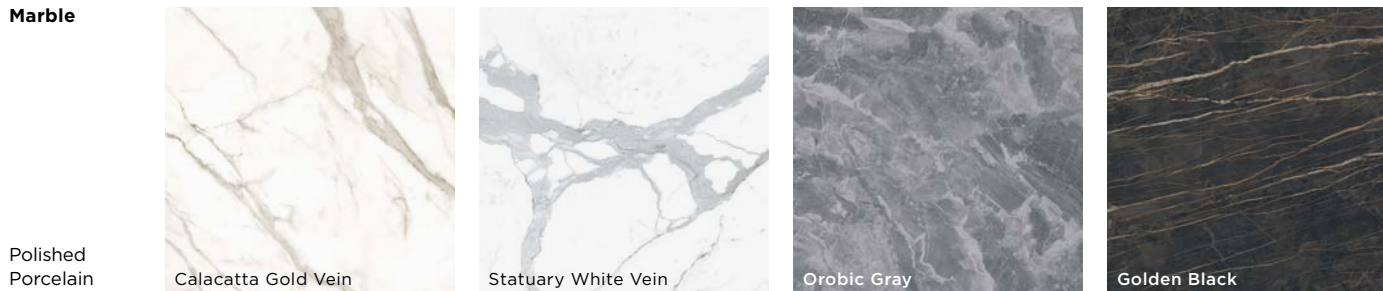
**MATERIALS**  
cHPL Wood



**Stone**



**Marble**



**GRAPHIC  
glass**

Custom print capability with 1440 dpi clarity and vibrant color hues.



## Glass surface options

Available in both Smooth finish, when a high-gloss reflective look is desired, or an Etch finish which is non-reflective and minimizes fingerprints.



CARVART®