

Specifications

FUNCTION

Automatic, touchless operator for commercial BATH toilet cubicle doors with hands-free locking / unlocking.

FEATURES

- Hands-Free Operation to reduce touch-points in commercial bathrooms
- Occupancy indicator
- Temporary hold-open for cleaning and maintenance

ADJUSTABILITY

- Speed toggle/adjustment
- Closing force manipulation

DOOR THICKNESS

9/16" [14mm] Door Front

ADA

- ADA compliant
- Universal operation for users with varying levels of accessibility

SAFETY

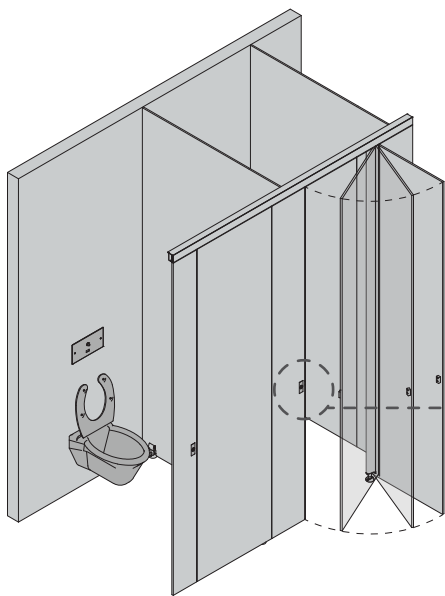
- Manual Override & safely stop door operation.
- Privacy lock with universal emergency latch on exterior
- Mechanical fail-safe latch on interior of cubicle

CARVART SYSTEM COMPATIBILITY

glassENCLOSE, chpIENCLOSE, stoneENCLOSE

ELECTRICAL REQUIREMENTS

- Low voltage
- 12V - 0.8A Supply



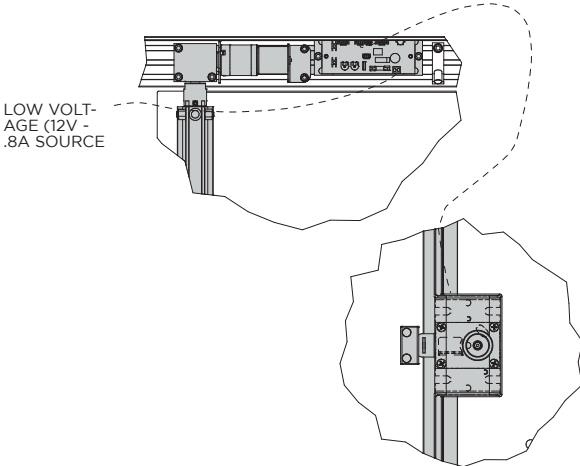
autoDOOR OPERATION



Sensor to start door operation on exterior of cubicle

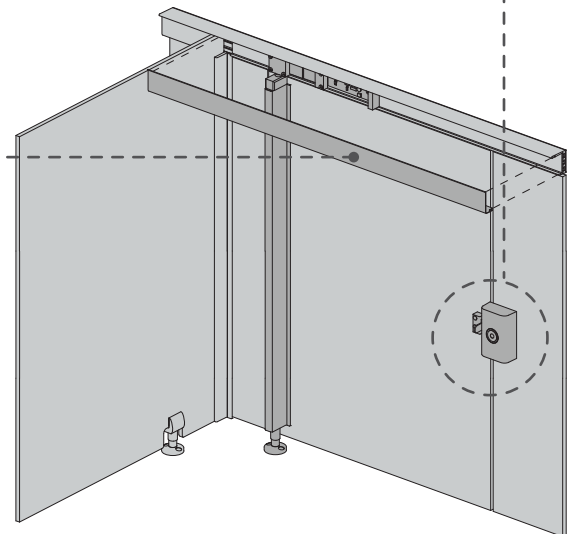


Sensor on interior of cubicle with safety release latch



LOW VOLT-AGE (12V - .8A SOURCE)

autoDOOR MOTOR CONCEALED IN STANDARD HEADER



INTERIOR OF CUBICLE

Specification code: **CB-AUT-DR**

Line: **CB (Commercial Bath)**
 Type: **AUT (Automatic)**
 ID: **DR (Door)**

CB	AUT	DR
LINE	TYPE	ID