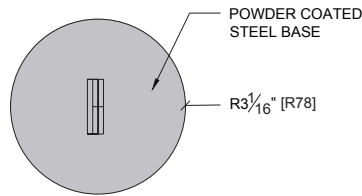
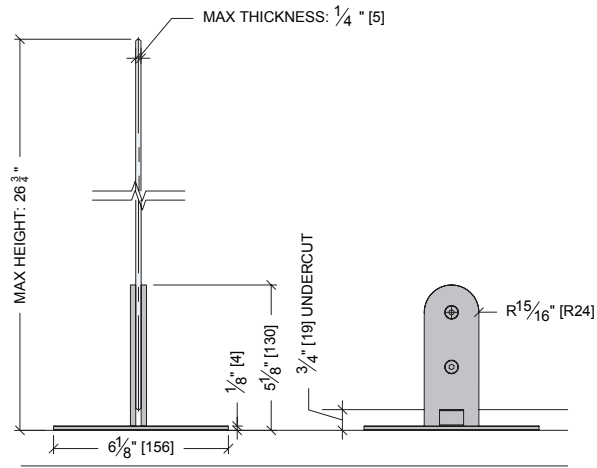
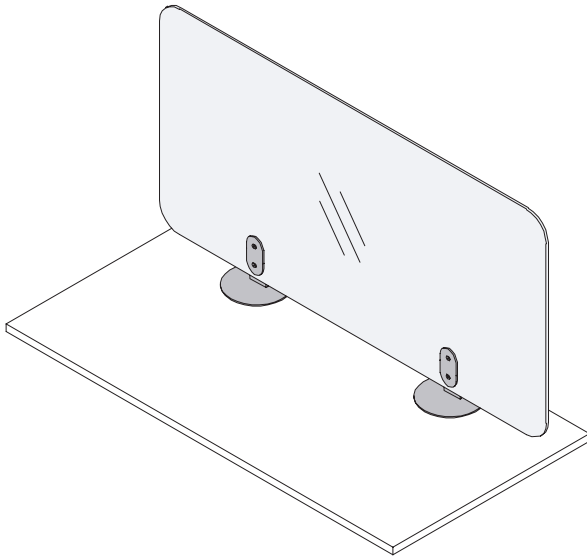
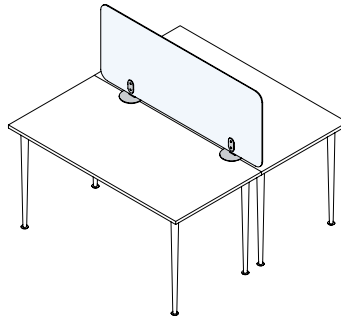
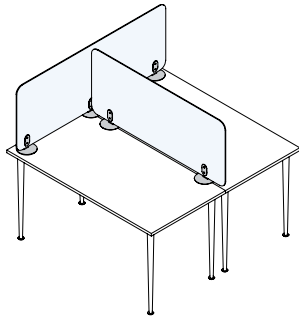
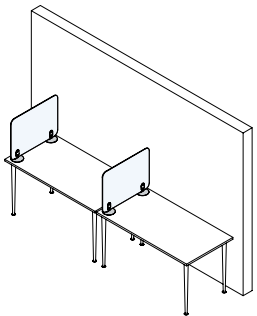


Workstations > DISK > Top

(GS-SW-DT)



TYPICAL DETAILS



EXAMPLE CONFIGURATIONS

Specifications

Workstations>DISK>Top

CARVART's benching screens offer a timeless architectural design that are flexible and adaptable, while providing hygienic protection for our ever-changing workplace. The sleek aesthetics blend into any space and are ideal for protection and engagement with non-porous, scratch resistant tempered glass that is increasingly durable, ensuring a greater product longevity.

APPLICATIONS —

Protection for staff and for clients, customers, visitors.
Work station protection, Lobbies, Reception Area, Hospitals, Restaurants, Cafeterias, Transaction Areas.

HARDWARE MATERIALS/FINISHES —

Material: Powdercoated Steel Base
Finishes: Black, Grey-White

PANEL WIDTHS —

Maximum Width (2 Brackets): 36"
Larger sizes available with engineering approval

PANEL HEIGHTS —

- Free-Standing with VHB (required): 18"
- Configured with adjacent glassSCREENS: 32"

MOUNTING OPTIONS —

VHB Tape, Mechanically Fastened

GLASS THICKNESSES —

1/4" [6mm]

WARRANTY —

10 Year Limited Warranty

Specification Code: **GS-SW-DT**

GS	SW	DT
LINE	TYPE	MODEL/ID

glassSCREENS > Workstations > Disk > Top

