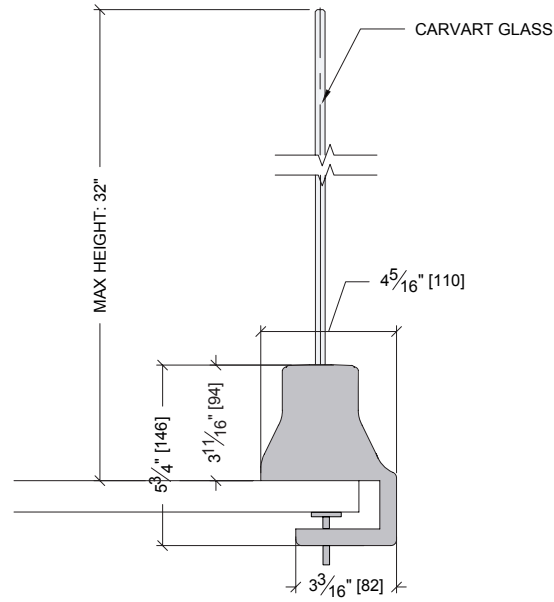
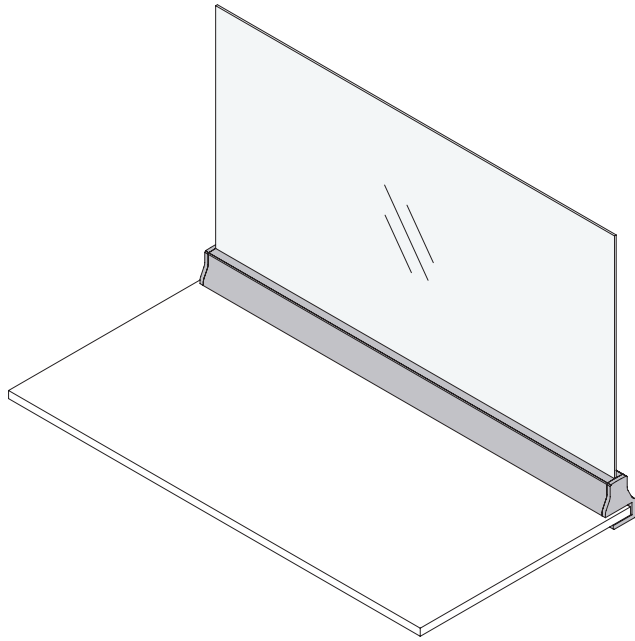
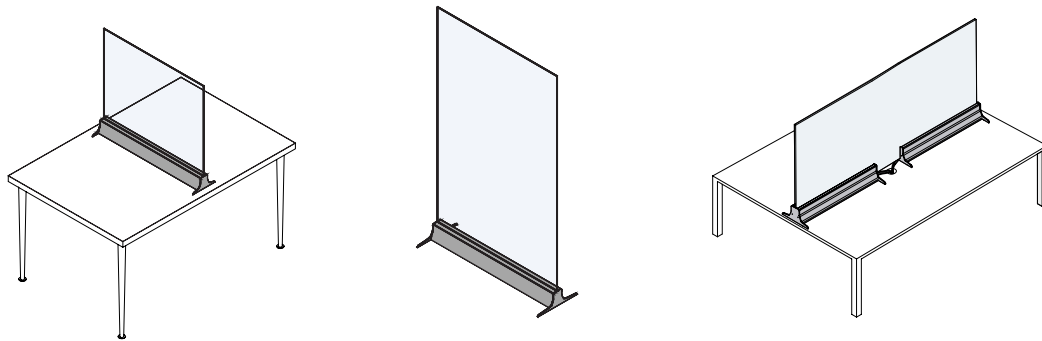


# Workstations > LEVEL

(GS-SW-L)



TYPICAL DETAILS



EXAMPLE CONFIGURATIONS

# Specifications

## Workstations>LEVEL

CARVART's benching screens offer a timeless architectural design that are flexible and adaptable, while providing hygienic protection for our ever-changing workplace. The sleek aesthetics blend into any space and are ideal for protection and engagement with non-porous, scratch resistant tempered glass that is increasingly durable, ensuring a greater product longevity.

### APPLICATIONS —

Space division between working areas

### HARDWARE MATERIALS/FINISHES —

Satin Anodized

### PANEL WIDTHS (OVERALL MAXIMUM)—

Inquire for layout options

### PANEL HEIGHTS —

Max Height: 32"

### MOUNTING OPTIONS —

Clamp, Mechanically Fastened

### MAX TABLE THICKNESS —

1-1/4"

### GLASS THICKNESSES —

1/4" - 1/2"

### WARRANTY —

10 Year Limited Warranty

Specification Code: **GS-SW-L**

|           |           |          |
|-----------|-----------|----------|
| <b>GS</b> | <b>SW</b> | <b>L</b> |
| LINE      | TYPE      | MODEL/ID |