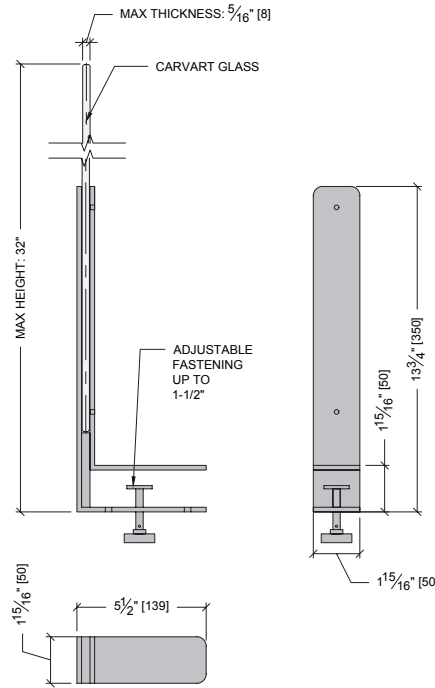
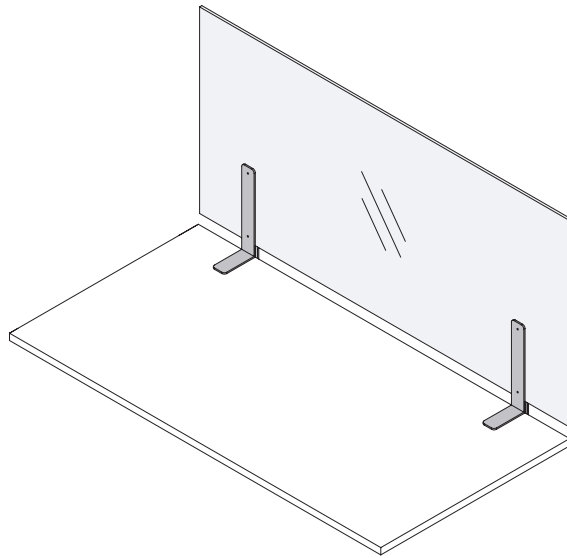
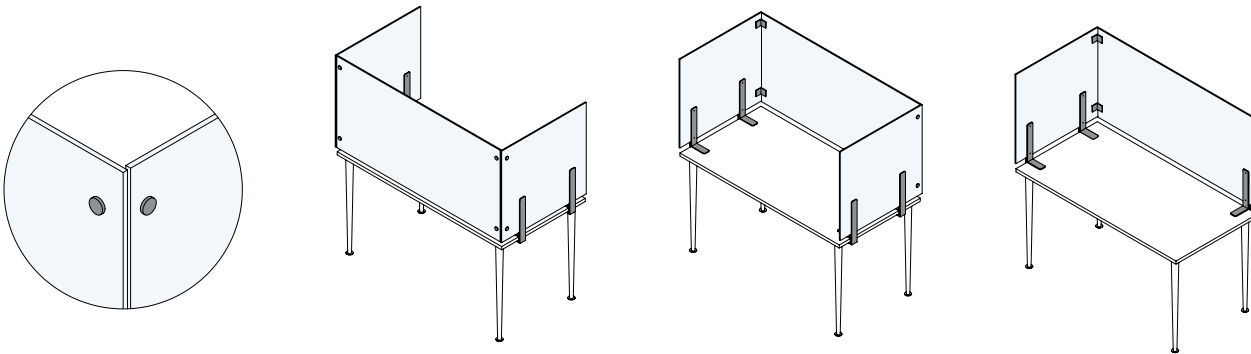


Workstations > LINE > Side

(GS-SW-LS)



TYPICAL DETAILS



EXAMPLE CONFIGURATIONS

Specifications

Workstations>LINE>Side

CARVART's benching screens offer a timeless architectural design that are flexible and adaptable, while providing hygienic protection for our ever-changing workplace. The sleek aesthetics blend into any space and are ideal for protection and engagement with non-porous, scratch resistant tempered glass that is increasingly durable, ensuring a greater product longevity.

APPLICATIONS —

Protection for staff and for clients, customers, visitors.
Work station protection, Lobbies, Reception Area, Hospitals, Restaurants, Cafeterias, Transaction Areas.

HARDWARE MATERIALS/FINISHES —

Standard: White, Metallic Silver, Black
Inquire for more finish options

PANEL WIDTHS (OVERALL MAXIMUM)

Maximum Width (per 2 Brackets): 60"
Larger sizes available with engineering approval

PANEL HEIGHTS —

Maximum Height: 32"

MOUNTING OPTIONS —

Clamp to thickness of worksurface
(Max worksurface thickness - 1-3/4")

GLASS THICKNESS —

1/4" [6mm]
5/16 [8mm]

WARRANTY —

10 Year Limited Warranty

Specification Code: **GS-SW-LS**

GS	SW	LS
LINE	TYPE	MODEL/ID

glassSCREENS > Workstations > LINE > Side



“ design your space to fit your needs
... carvart products in combination create a beautiful and functional workspace.

