

# Shield > Frameless > Horizontal

(GS-VP-XFH)

## Specifications

glassSCREEN>SHIELD>Frameless>Horizontal

Easy to mobilize and provides an effective screen for commercial transactions and reduces transmission of COVID-19 Corona virus. This self-standing unit is available with a gap underneath to pass documents. The glassSCREEN>SHIELD is made with tempered glass with polished edges that is nonporous and easy to clean.

### APPLICATIONS —

Protective barrier between two people to help reduce airborne transmissions. (typ. applications: Retail, Banks, Pharmacies, Gas Stations, Convenience Stores, Offices.)

### GLASS THICKNESS —

Divider Glass: 1/4" [6 mm]  
Support Glass: 5/16" [8 mm]

### PANEL WEIGHTS —

System Weight - approx. 33 lbs.  
glassSCREEN must always be placed on a level, adequately stable surface.

### DIMENSIONS —

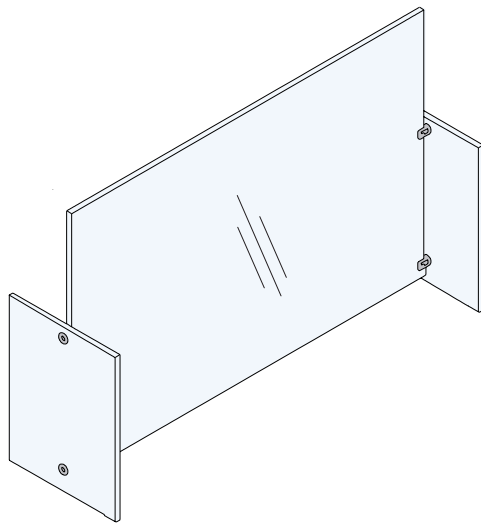
Height: 26-3/8" (with transaction gap),  
25-9/16" (no transaction gap)  
Width: 40-9/16"  
Depth: 11-13/16"

### SHIPPING & ASSEMBLY —

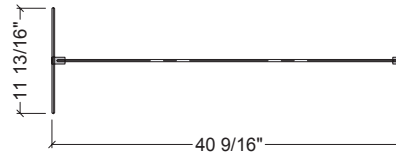
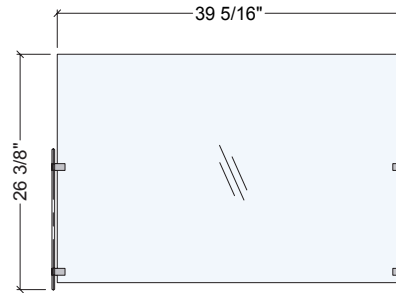
System comes shipped in flat box and ready to assemble (see assembly page for instructions).  
Option: Flip support legs to allow gap for document transaction.

### WARRANTY —

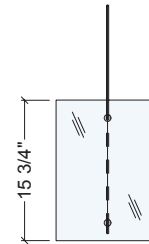
10 Year Limited Warranty



TYPICAL ISOMETRIC



TYPICAL DETAILS



Specification Code: **GS-VP-XFH**

<b>GS</b>	<b>VP</b>	<b>XFH</b>
LINE	TYPE	MODEL/ID