

Shield > Framed > Slim

(GS-VP-S)

Specifications

glassSCREENS>Shield>Framed>Slim

Easy to mobilize and provides an effective screen for commercial transactions and helps reduce airborne transmissions. This self-standing unit has multiple configurations including a transaction opening below the screen. The glassSCREEN>Shield is made with 1/4" tempered glass with polished edges that is non-porous and easy to clean.

APPLICATIONS –

Protection for staff and for clients, customers, visitors.
Work station protection, Lobbys, Reception Area, Hospitals, Restaurants, Cafeterias, Transaction Areas.

HARDWARE MATERIALS/FINISHES –

- MFSA (Satin Anodized)
 - MFBL (Black Anodized)*
- *Available per request

PANEL WIDTHS (OVERALL MAXIMUM)

Up to 56"
Larger sizes available with engineering approval

PANEL HEIGHTS –

Up to 44"
Larger sizes available with engineering approval

MOUNTING OPTIONS –

Free Standing, VHB, Clamp, Mechanically Fastened

GLASS THICKNESS –

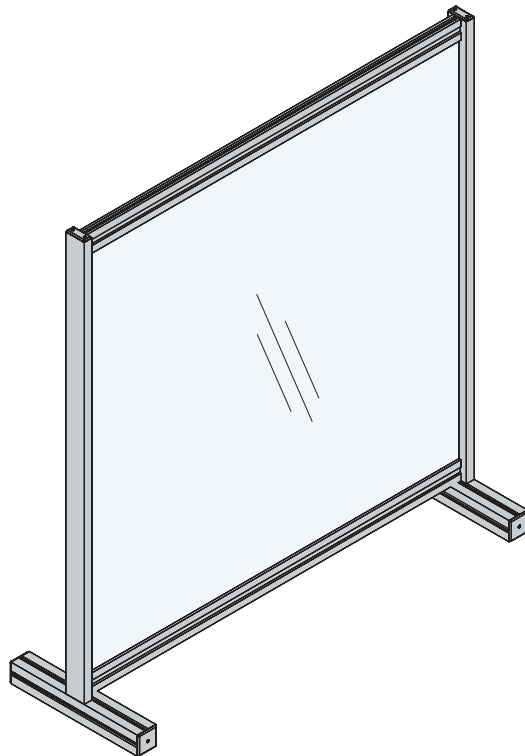
1/4" [6mm]

WARRANTY –

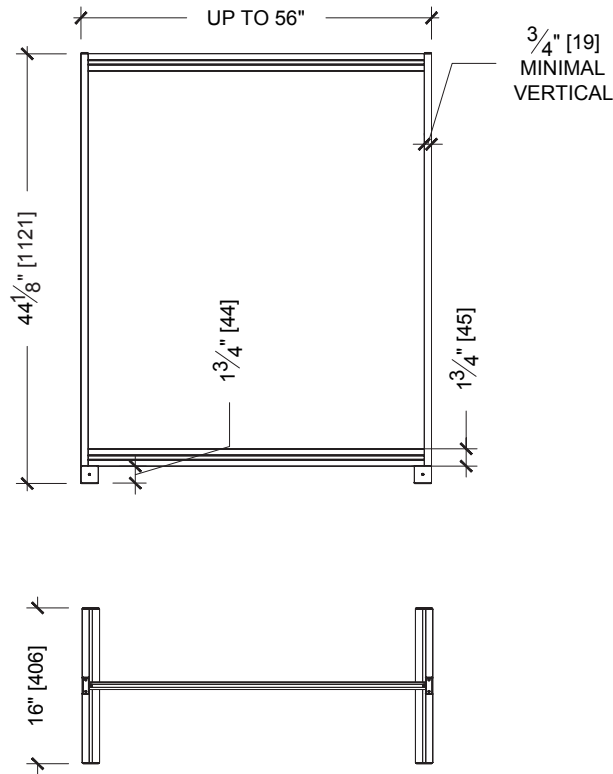
10 Year Limited Warranty

Specification Code: **GS-VP-S**

GS	VP	S
<small>LINE</small>	<small>TYPE</small>	<small>MODEL/ID</small>



TYPICAL ISOMETRIC



TYPICAL DETAILS