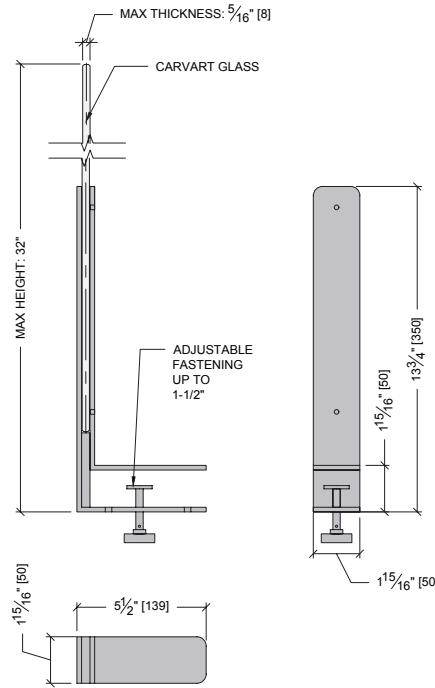
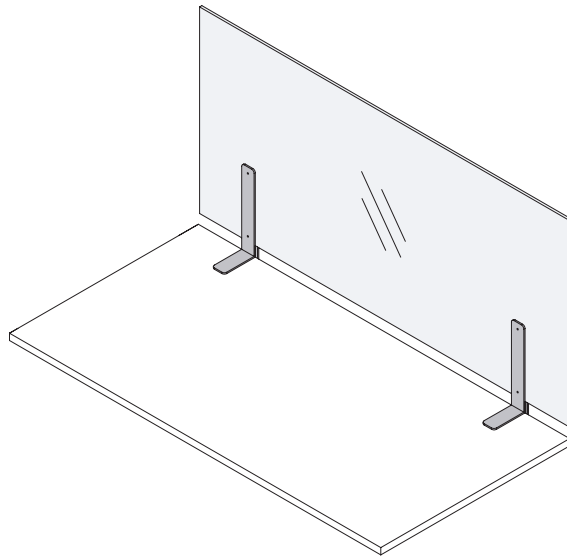
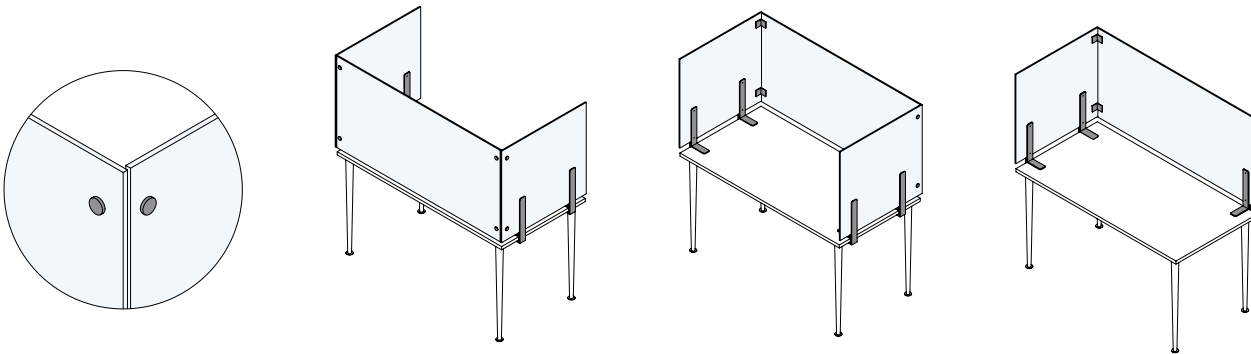


# Workstations > LINE > Side

(GS-SW-LS)



TYPICAL DETAILS



EXAMPLE CONFIGURATIONS

# Specifications

## Workstations>LINE>Side

CARVART's benching screens offer a timeless architectural design that are flexible and adaptable, while providing hygienic protection for our ever-changing workplace. The sleek aesthetics blend into any space and are ideal for protection and engagement with non-porous, scratch resistant tempered glass that is increasingly durable, ensuring a greater product longevity.

### APPLICATIONS —

Protection for staff and for clients, customers, visitors.  
Work station protection, Lobbies, Reception Area, Hospitals, Restaurants, Cafeterias, Transaction Areas.

### HARDWARE MATERIALS/FINISHES —

Standard: White, Metallic Silver, Black  
*Inquire for more finish options*

### PANEL WIDTHS (OVERALL MAXIMUM)

Maximum Width (per 2 Brackets): 60"  
*Larger sizes available with engineering approval*

### PANEL HEIGHTS —

Maximum Height: 32"

### MOUNTING OPTIONS —

Clamp to thickness of worksurface  
(Max worksurface thickness - 1-3/4")

### GLASS THICKNESS —

1/4" [6mm]  
5/16 [8mm]

### WARRANTY —

1 Year Limited Warranty

Specification Code: **GS-SW-LS**

<b>GS</b>	<b>SW</b>	<b>LS</b>
LINE	TYPE	MODEL/ID

## glassSCREENS > Workstations > LINE > Side



“ design your space to fit your needs  
... carvart products in combination create a beautiful and functional workspace.

