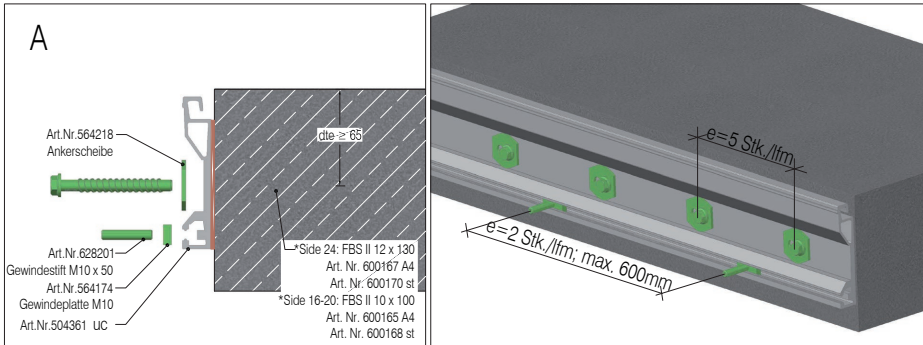
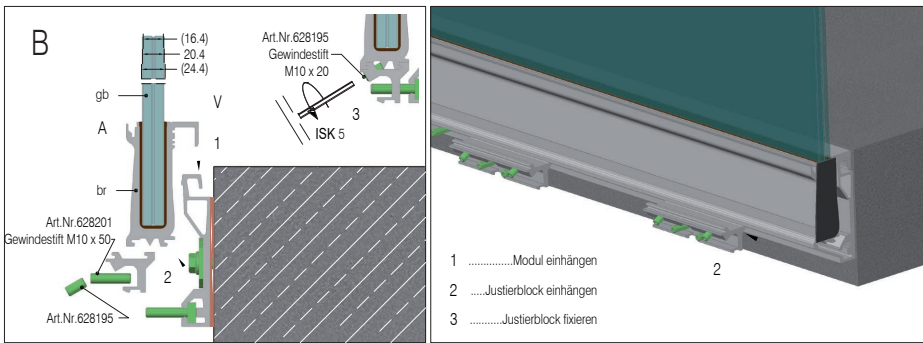


glassRAILINGS > UNI > Installation Instructions



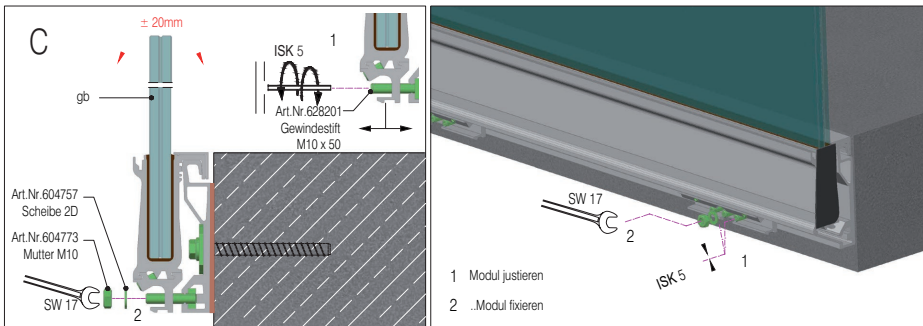
STEP 1

FASTEN CONTINUOUS STRUCTURAL CLEAT TO CONCRETE BASE.



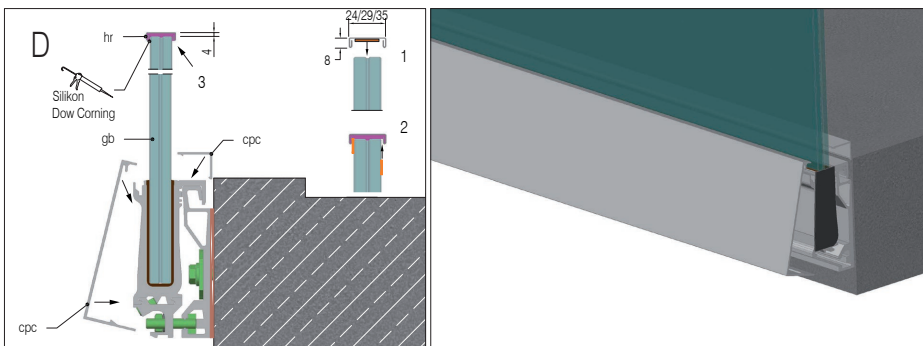
STEP 2

INSERT SHOE ATTACHMENT CLIP TO STRUCTURAL CLEAT.



STEP 3

ATTACH PRE-GLAZED RAILING SHOE.



STEP 4

ATTACH SNAP IN FINISHED FASCIA.